



### Model Number

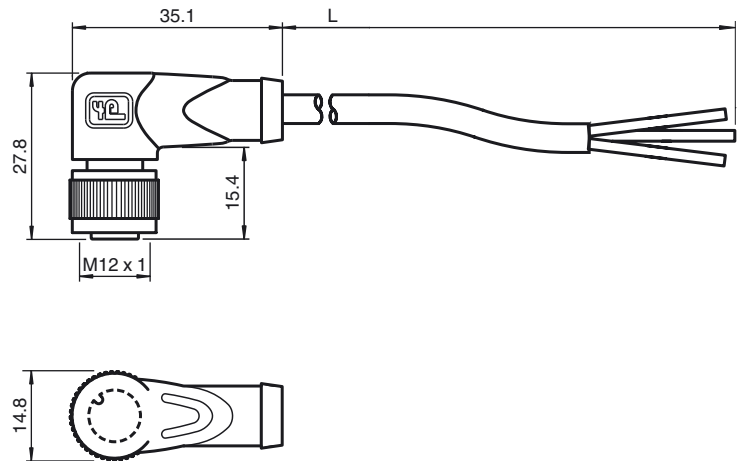
#### V1-W-E2-BK15M-PUR-U

Cable socket, M12, LED, 3-pin, PUR cable

### Features

- UL Recognized Component
- Built-in LED, as operating and function indicator
- Knurled nut suitable for tool assembly
- Immunity to vibration, with mechanical latching
- Gold-plated and machined contacts
- Flame resistant cable
- Resistant to microbes and hydrolysis
- Halogen-free
- Suitable for drag chains

### Dimensions



### Technical data

#### General specifications

Number of pins 3

#### Indicators/operating means

LED green Operating display  
LED yellow Functional display NO contact

#### Electrical specifications

Operating voltage  $U_B$  max. 24 V DC  $\pm$  15%  
Operating current  $I_B$  max. 4 A  
Contact resistance < 10 m $\Omega$

#### Ambient conditions

Ambient temperature cable, fixed: -40 ... 80 °C (-40 ... 176 °F)  
cable, flexing: -20 ... 80 °C (-4 ... 176 °F)

Pollution Degree 3

#### Mechanical specifications

Contact elements spring-loaded contact socket  
Pin diameter 1 mm

Degree of protection IP67 / IP68 / IP69k

#### Material

Contacts CuSn / Au  
Contact surface Au  
Body TPU, transparent  
Cable PUR  
Slotted nut Diecast zinc  
Core insulation PP

Cable extra-fine wire, flexible

Sheath diameter  $\varnothing$  4.3 mm  
Bending radius > 10 x cable diameter, moving  
> 5 x cable diameter, fixed

Color black  
Cores 4 x 0.34 mm<sup>2</sup>  
Conductor construction 42 x 0.1 mm  $\varnothing$   
Length L 15 m

#### Drag chain suitability

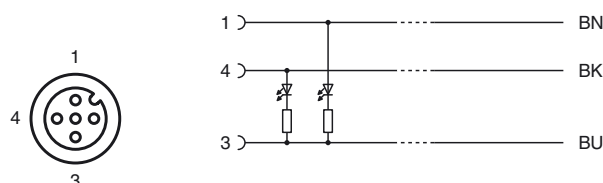
Drag chain cycles  $\geq$  5000000  
Motion velocity  $\leq$  3.3 m/s  
Acceleration  $\leq$  5 m/s<sup>2</sup>  
Torsional stress  $\pm$  180 °/m

#### Flammability

Contact material 94 HB  
Housing 94 V-2  
Cable FT2

#### Compliance with standards and directives

### Electrical connection





<b>Standard conformity</b>	
Degree of protection	EN 60529:2000
Standards	IEC 61076-2-101:2008
<b>Approvals and certificates</b>	
UL approval	cURus AWM 20549 AWM I/II A/B 80°C 300V FT2 (cable)

Release date: 2015-01-15 14:12 Date of issue: 2015-01-15 223116\_eng.xml