



HANDLE WITH MASKING PLATE EMERGENCY WITH TOLERANCE COMPENSATION ACCESSORY FOR: 3VA1/2 100/160/250

Model	
product brand name	SENTRON
Design of the door lock system	Door interlocking
Protection class IP	IP65

Product details	
Product component / axis extension	No
Product property / lockable	Yes

General Product Approval	Declaration of Conformity
--------------------------	---------------------------



Further information

Information- and Downloadcenter (Catalogs, Brochures,...)

<http://www.siemens.com/lowvoltage/catalogs>

Industry Mall (Online ordering system)

<https://eb.automation.siemens.com/mall/en/WW/Catalog/Product/8UD17210AB25>

Service&Support (Manuals, Certificates, Characteristics, FAQs,...)

<http://support.automation.siemens.com/WW/view/en/8UD17210AB25/all>

Image database (product images, 2D dimension drawings, 3D models, device circuit diagrams, ...)

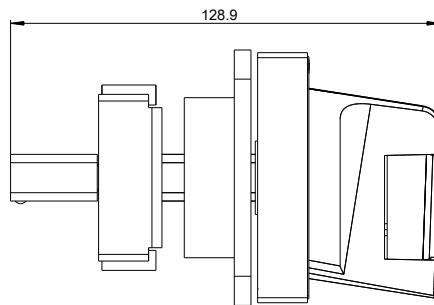
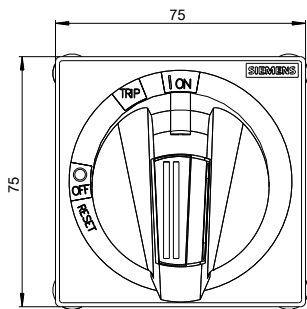
http://www.automation.siemens.com/bilddb/cax_en.aspx?mlfb=8UD17210AB25

CAX-Online-Generator

<http://www.siemens.com/cax>

Tender specifications

<http://ausschreibungstexte.siemens.com/tiplv>



last modified:

11.03.2015