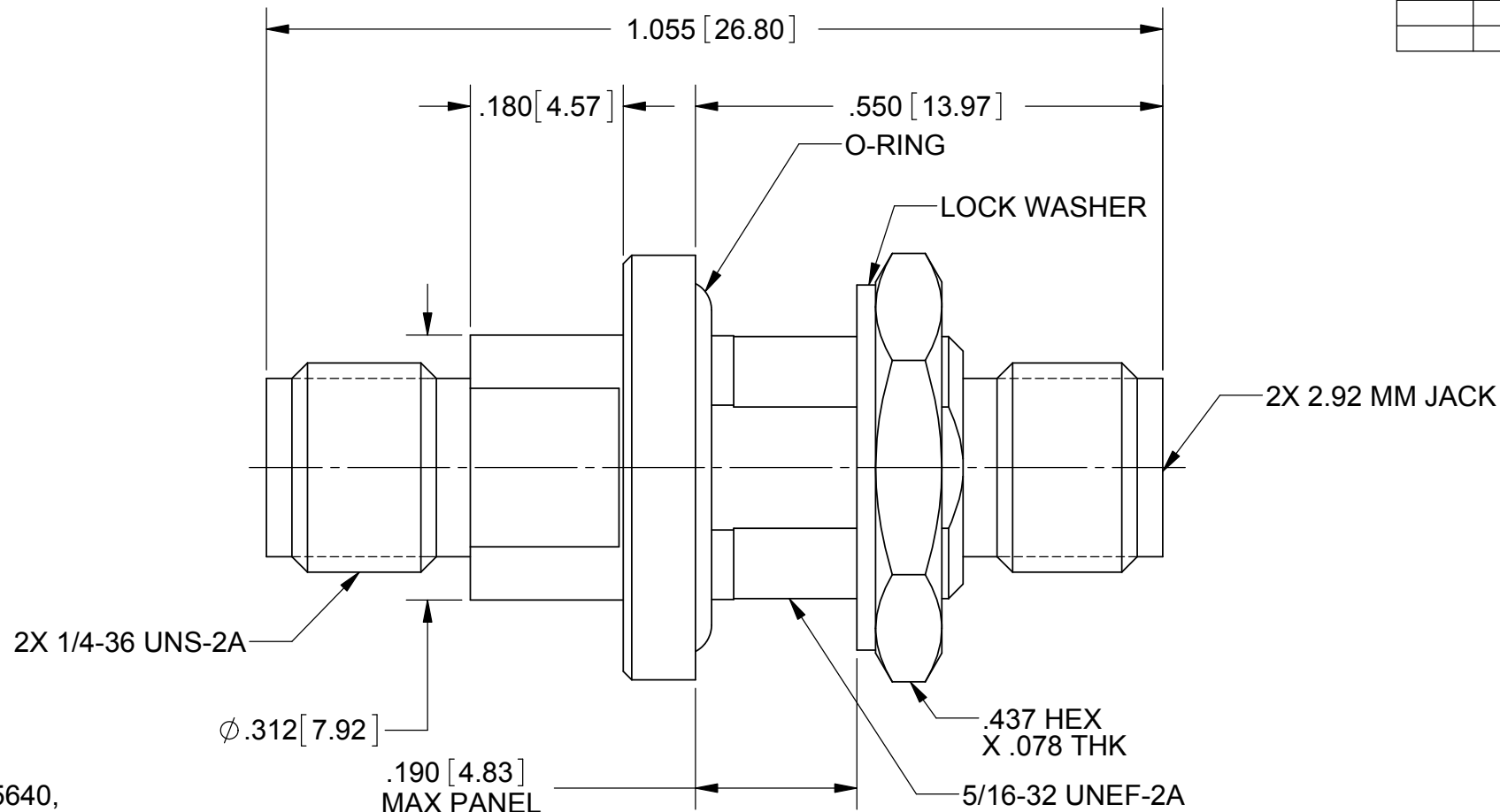
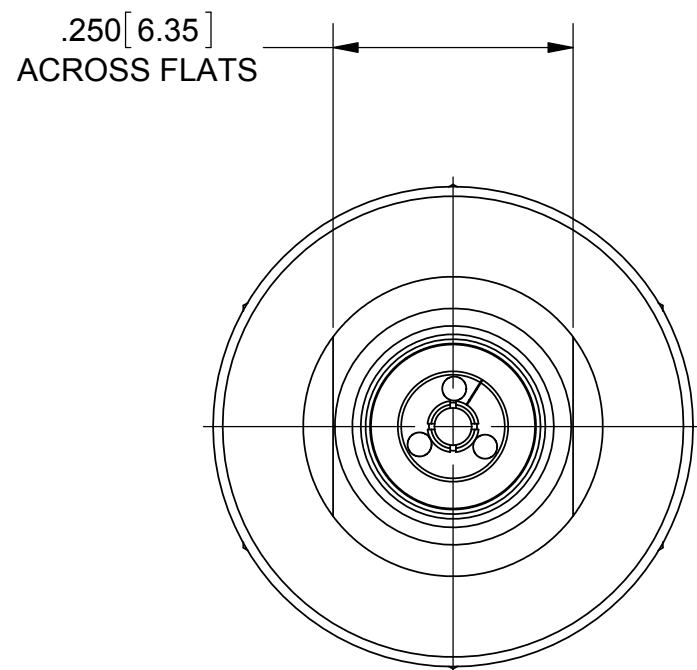


PRODUCT DATA DRAWING

| REVISION HISTORY | | | |
|------------------|-------------|-------|----------|
| REV | DESCRIPTION | DATE | APPROVED |
| - | NRN 38823 | 06/14 | STW |
| | | | |



MATERIAL:

BODY, HEX NUT, & LOCK WASHER:

STAINLESS STEEL PER AMS-5640, ALLOY UNS S30300, TYPE 1

LOCKWASHER:

300 SERIES STAINLESS STEEL

CONTACTS:

BERYLLIUM COPPER PER ASTM B196, ALLOY No. UNS C17300, TD04

CENTER PIN:

KOVAR PER ASTM F15

GLASS BEAD:

CORNING #7070, OR EQUIVALENT .

BEADS:

POLYETHERMIDE RESIN (ULTEM) PER ASTM D5205

O-RING:

SILCONE RUBBER

FINISH:

BODY, HEX NUT, & LOCK WASHER:

PASSIVATED PER AMS-2700

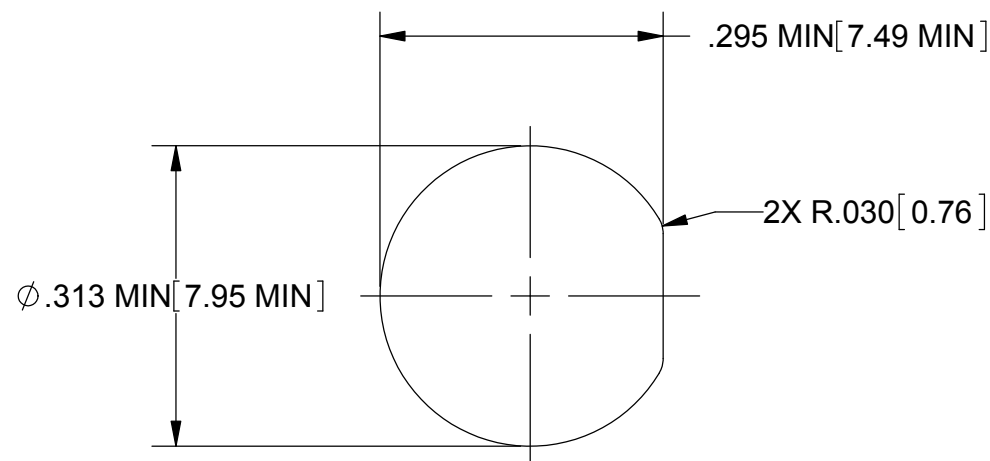
CONTACT:

GOLD PER ASTM B488, TYPE II, CODE C, CLASS 1.27; OVER NICKEL PER AMS-QQ-N-290, CLASS 1, .00005" MIN.

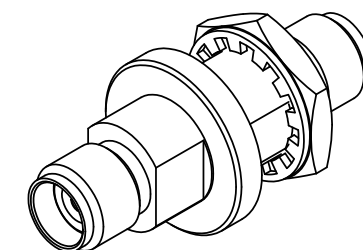
PERFORMANCE:

IMPEDANCE:
FREQ. RANGE:
DWV:
INSUL. RESISTANCE:

50 OHMS
DC TO 40.0 GHz
750 VRMS
5000 MEGOHMS



RECOMMENDED MOUNTING HOLE



| | | | |
|---|---|---|--|
| MATERIAL: SEE NOTES | DIMENSIONS ARE IN INCHES TOLERANCES: FRACTIONAL: ±1/64 ANGULAR: X° ±1'0" X"X' ±15' | UNLESS OTHERWISE SPECIFIED 1) ALL DIMENSIONS ARE IN INCHES (MILLIMETERS) 2) ALL DIMENSIONS ARE AFTER PLATING. 3) BREAK CORNERS & EDGES .005 R. MAX. 4) CHAM. 1ST & LAST THREADS. 5) SURFACE ROUGHNESS 63-MIL-STD-10. 6) DIA.'S ON COMMON CENTERS TO BE CONCENTRIC WITHIN .005 T.I.R. 7) REMOVE ALL BURRS | SV Microwave, Inc. 2400 Centrepark West Drive, Suite 100 West Palm Beach, FL 33409 TITLE: SVK JACK TO SVK JACK BULKHEAD ADAPTER HERMETIC SEAL |
| FINISH: SEE NOTES | DECIMAL: X ±.030 .XX ±.010 .XXX ±.005 | INTERPRET DIMENSIONS AND TOLERANCES PER ASME Y14.5M - 1994 | |
| SURFACE AREA: N/A | THIRD ANGLE PROJECTION | DRAWN: JMC 03/05/14 | SIZE: B CAGE CODE: 95077 DWG. NO.: SF1115-6072 |
| PROPRIETARY THE INFORMATION CONTAINED IN THIS DRAWING IS THE SOLE PROPERTY OF SV MICROWAVE, INC. ANY REPRODUCTION IN PART OR AS A WHOLE WITHOUT THE WRITTEN PERMISSION OF SV MICROWAVE, INC IS PROHIBITED. | | CHECKED: | SCALE: 5:1 |
| | | APPROVED: | SHEET 1 OF 1 |