

Shaft Clamps

23341.0020

Product Description

Shaft clamps are used to clamp round workpieces, e.g. shafts, axels, tubes or rods both axially and radially.



Material

Body

- Steel, blackened

Spring

- stainless steel

Clamping screw

- Steel, zinc-plated

Assembly

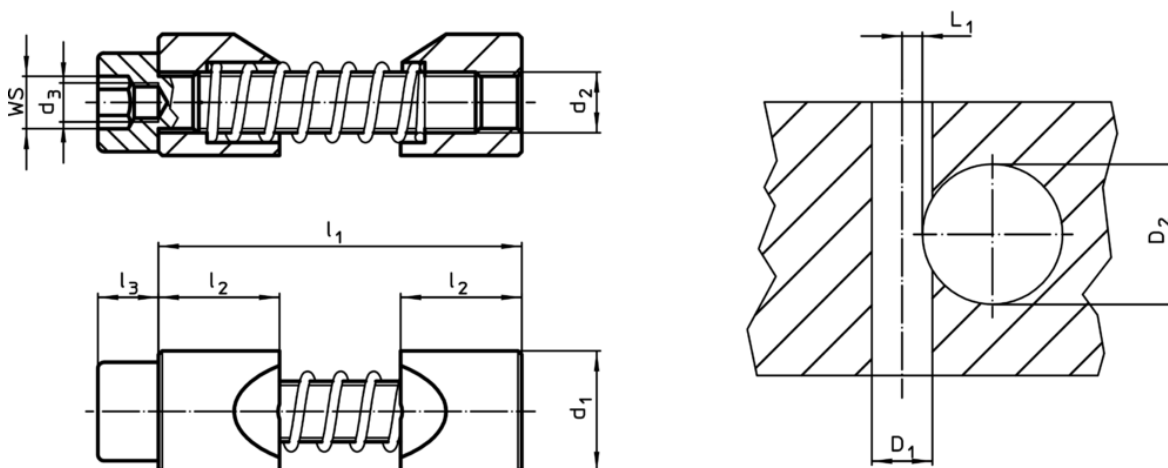
1. Expand the clamping jaws to the diameter of the shaft to be clamped.
2. Insert shaft clamp into hole using the assembly tool.
3. Insert and position the shaft.
4. Clamp using cylinder screw WS (observe tightening torque).

More information

Notes

The thread d_3 serves to hold the assembly tool (optional).

Drawing



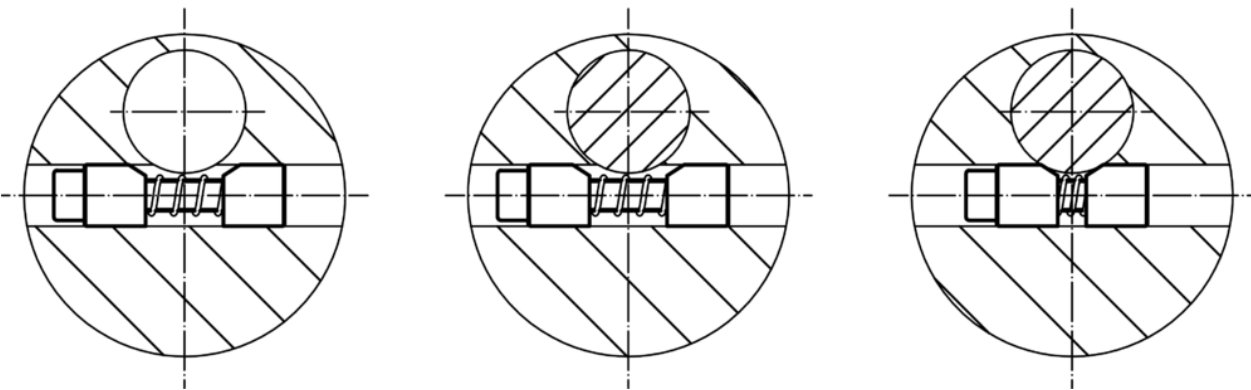
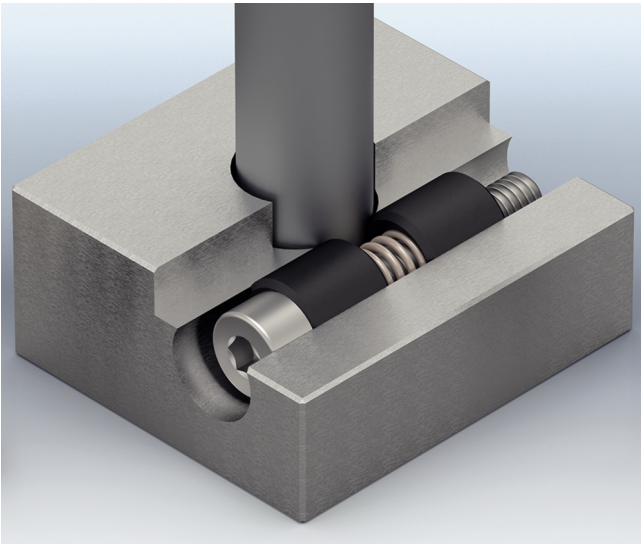
Order information

d_1 h11	d_2	Dimensions			WS	Tightening torque max.	Location hole		[g]	Art. No.		
		d_3	l_1 max.	l_2			l_3	Hub bore D_1 H7			Shaft diameter D_2	
		[mm]			[mm]	[Nm]	[mm]					
20	M10	M6	53	20	10	8	46	20	30 - 40	4.8	98	23341.0020

Accessories

	WS [mm]	d [mm]	[g]	Art. No.
special hexagon key				
	8	M 6	57	23341.1020

Application example



Compliance

RoHS compliant

Compliant according to Directive 2011/65/EU and Directive 2015/863

Does not contain SVHC substances

No SVHC substances with more than 0.1% w/w contained - SVHC list [REACH] as of 10.06.2022

Does not contain Proposition 65 substances

No Proposition 65 substances included
<https://www.P65Warnings.ca.gov/>

Free from Conflict Minerals

This product does not contain any substances designated as "conflict minerals" such as tantalum, tin, gold or tungsten from the Democratic Republic of Congo or adjacent countries.