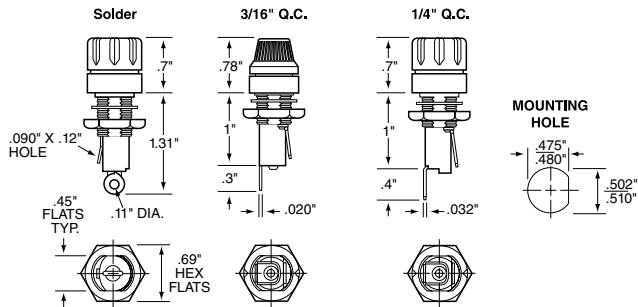


342 Series Panel Mount Enclosed Fuse Holders for 3AG Fuses

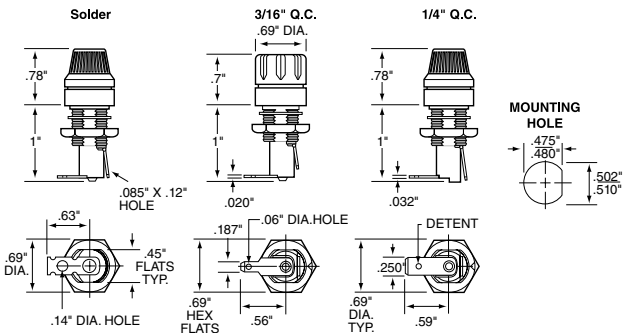


Dimensions

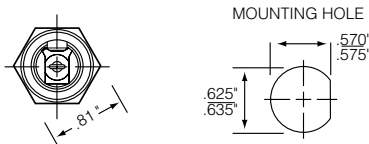
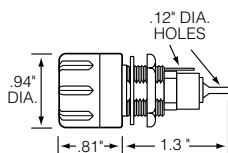
General Application / Straight Terminal Product Dimensions



General Application / Right Angle Terminal Product Dimensions



Watertight Product Dimensions



Product Characteristics

	General Application Products	Watertight Product
Compatible Fuses	3AG	
Electrical	Rated at 20 amperes for any voltage up to 250 volts.	
Ambient Temperature	-40°C to +85°C.	
Dielectric Strength	2400 volts minimum.	1500 volts minimum.
Mounting	Withstands 15 lb.-in. mounting torque; maximum panel thickness: .187\"	Withstands 15 lb.-in. mounting torque; maximum panel thickness is .250\"
Molded Parts	Black thermoplastic (UL94 V-0).	Black thermoset (UL94 V-0).
Seal	Not Applicable	O-ring provides a watertight seal on the front side of the panel per MIL-PRF-19207.
Terminals	Copper & copper alloy. Tin plated, except 1/4\" Quick-Connect terminals are nickel plated.	Copper & copper alloy. Tin plated.
Hardware	Comes with a mounting nut and neoprene washer	O-rings (2) and hex nut, unassembled.

Agency Approvals

Agency	Agency File Number
	IZLT2.E14721
	007316 (*Except 342 006 and 342 012)

Ordering Information

	Body Terminal Type		Catalog Number	
	Angle	Connect	Fluted Knob	Knurled Knob
General Application Products:				
Straight	Solder		342 014	342 012 *
	3/16\" Q.C.		342 038	342 058
	1/4\" Q.C.		342 838	342 858
Right Angle	Solder		342 004	342 022
	3/16\" Q.C.		342 028	342 048
	1/4\" Q.C.		342 828	342 848
Watertight Product:				
Straight	Solder		342 006 *	Not Applicable

NOTE: Ensure that proper fuse de-rating is factored in fuseholder selection.

Additional Information



Datasheet



Resources



Samples