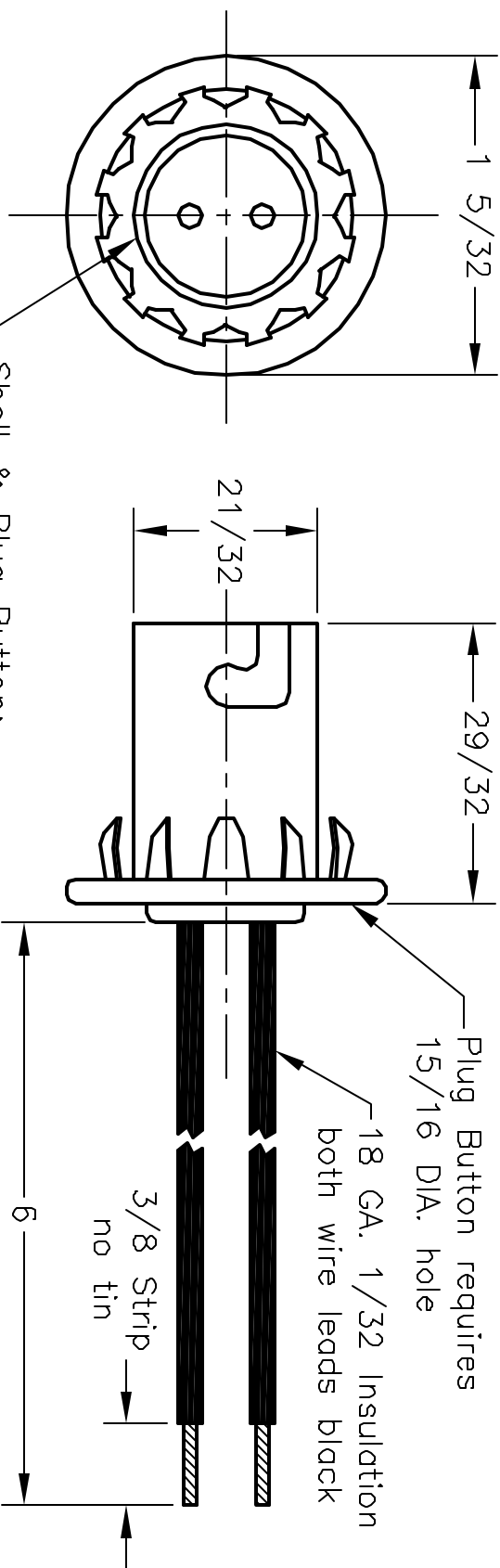


ALL RIGHTS RESERVED. NO PORTION OF THIS PUBLICATION, WHETHER IN WHOLE OR IN PART CAN BE REPRODUCED WITHOUT THE EXPRESS WRITTEN CONSENT OF SPC TECHNOLOGY.

REVISIONS		DOC. NO. SPC-F005	Effective 12/21/08	DCP No. B90				
DCP #	REV	DESCRIPTION	DRAWN	DATE	CHECKED	DATE	APPROVED	DATE
1948	A	RELEASED	JIN	09/29/08	JWM	09/29/08	JWM	09/29/08



Shell & Plug Button:
Steel, zinc & clear plated

Plug Button requires
15/16 DIA. hole

18 GA. 1/32 Insulation
both wire leads black

3/8 Strip
no tin

DISCLAIMER:
ALL STATEMENTS AND TECHNICAL INFORMATION CONTAINED HEREIN ARE BASED UPON INFORMATION AND/OR TESTS WE BELIEVE TO BE ACCURATE AND RELIABLE. SINCE CONDITIONS OF USE ARE BEYOND OUR CONTROL, THE USER SHALL DETERMINE THE SUITABILITY OF THE PRODUCT FOR THE INTENDED USE AND ASSUME ALL RISK AND LIABILITY WHATSOEVER IN CONNECTION THEREWITH.

DRAWN BY:		DATE:
Jason Nash		09/29/08
CHECKED BY:		DATE:
JWM		09/29/08
APPROVED BY:		DATE:
JWM		09/29/08

SPC TECHNOLOGY

DRAWING TITLE: **Double Contact Candelabra Bayonet lampholder**

SIZE DWG. NO. **A SPC21744** ELECTRONIC FILE **16M1235.DWG** REV **A**

SCALE: NTS U.O.M.: INCHES SHEET: 1 OF 1