



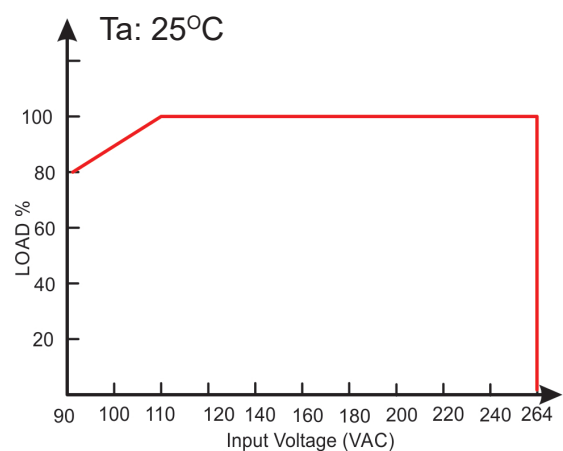
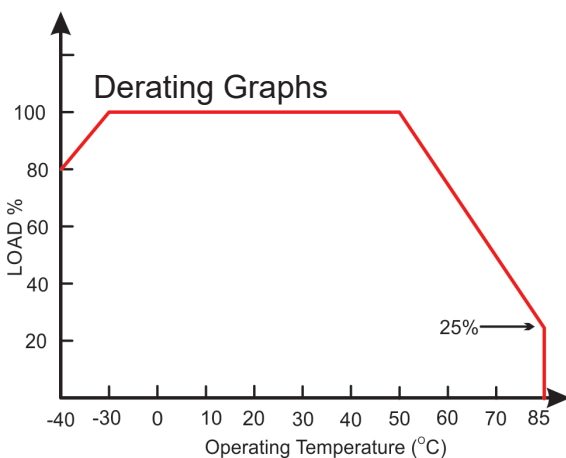
### Features:

- 60W Single Output - Regulated
- Output Range: 12V - 24VDC
- Input: 90 - 264VAC , 47 - 63Hz
- Low Standby Power <0.1W
- Height 23.1mm
- Fully Isolated Pri - Sec 4000Vrms
- EMC Compliant without external components
- Materials: UL94-V0
- Safety: UL/IEC/EN62368-1, EN60335-1, CE,

Part Number	Power Rating Watts	Output Voltage (Vdc)	Output Current (mA)	Ambient Temp. (°C)	Efficiency Typical	Input Range
VTX-214-060-112	60	12	5000	70	>88%	90 - 264VAC (120-370VDC)
VTX-214-060-115	60	15	4000			
VTX-214-060-124	60	24	2500			
<b>Note: Other output voltages are available upon request.</b>						

### Maximum Capacitive Load:

- 12V: 6000uF
- 15V: 5000uF
- 24V: 2500uF

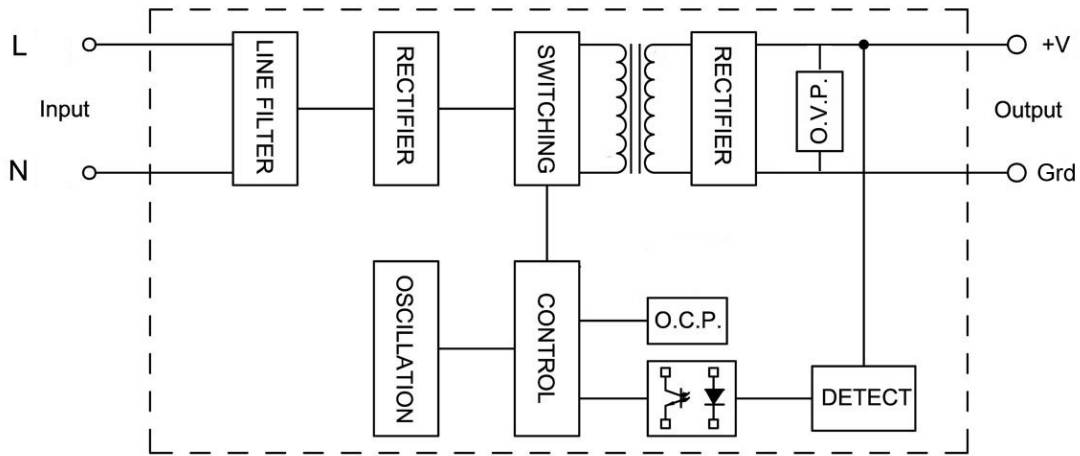


Please contact Vigortronix for any enquiries. Products can be altered to suit custom requirements.  
The information contained in this document is subject to change without notice.

Model: 60Watt		Specification
<b>INPUT</b>  <b>Pin 1: L</b> <b>Pin 2: N</b>	Voltage Range	90 - 264VAC / 47 - 63Hz (120 ~ 370VDC)
	Current	1500mA Max (115VAC) / 1000mA Max (230VAC)
	Inrush Current	45A Max (115VAC) / 90A Max (230VAC)
	No Load power	0.1W
	Leakage Current	0.25 mA Max (230VAC)
<b>OUTPUT</b>  <b>Pin 3: VDC+</b> <b>Pin 5: VDC-</b>  <b>Pin 4: No Pin</b>	Voltage Accuracy	+/- 2%
	Ripple	<240mV Max (Vp-p)
	Noise	<240mV Max (Vp-p)
	Efficiency	>89%
	Load Regulation	+/-2.5%
	Hold Up Time	30mS TYP. (230 VAC)
	Minimum Load	0
<b>Protection</b>	Over Power	Hiccup mode
	Over Voltage	Zener Diode clamp
	Short Circuit Protection	Hiccup mode
<b>Dielectric Isolation</b>	Input to Output	4000Vrms, 2Sec Min.
<b>Enviroment</b>	Operating Temperature	-40°C - +85°C (With Derating)
	Storage Temperature	-40°C - +85°C
	<b>MTBF</b>	>300,000Hrs @ 25°C (MIL-HDBK-217F)
	Weight	158g
	<b>Cooling Method</b>	Free Air convection
<b>Safety</b>	Compliant Standards	UL/IEC/EN62368-1, IEC/EN60335-1, IEC/EN61558-2-16
<b>EMC</b>	EMI	Compliance with EN55032 Class B
	EMS	Compliance with EN55035

Please contact Vigortronix for any enquiries. Products can be altered to suit custom requirements.  
 The information contained in this document is subject to change without notice.

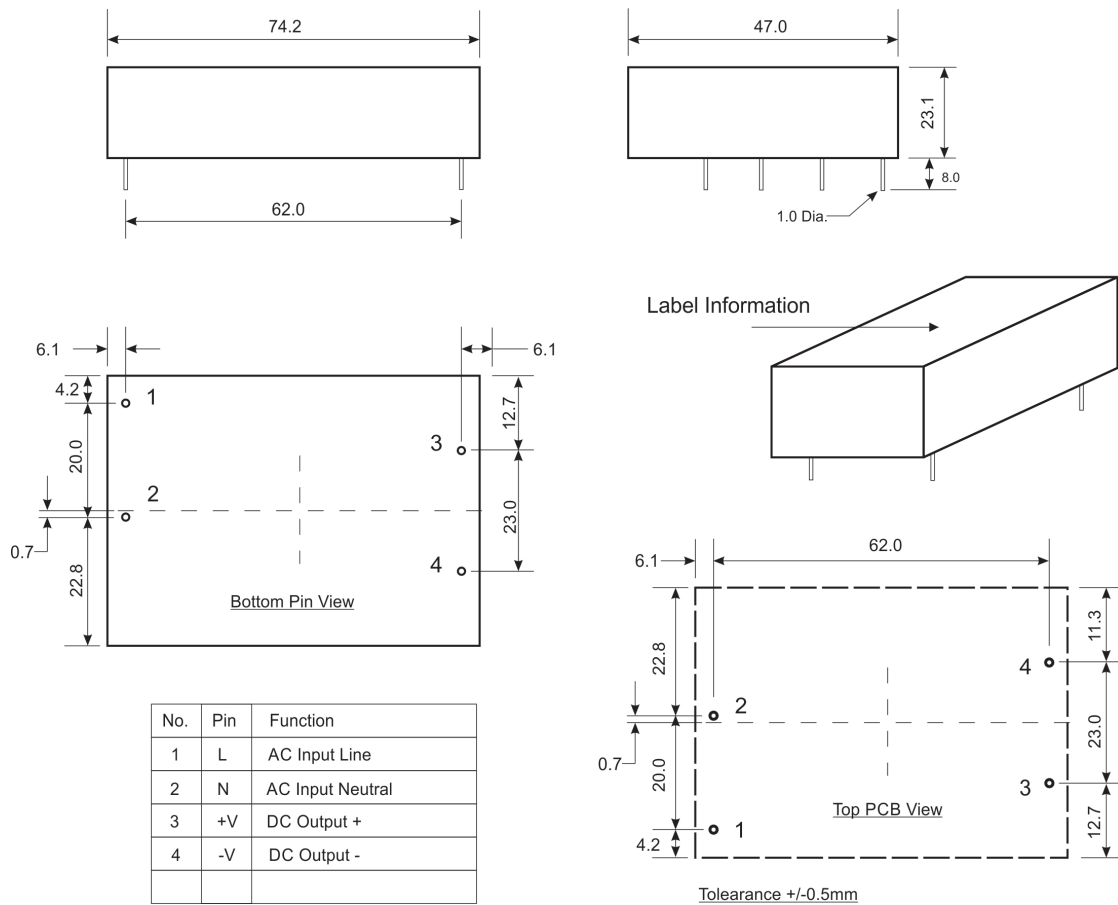
## Schematic Diagram



### Notes:

It is recommended to improve Surge Protection adding across the Input a MOV, 14D561K

## Mechanical Layout



Recommended PCB  
Hole size: 1.5mm Dia.

Unit weight: 158g

Please contact Vigortronix for any enquiries. Products can be altered to suit custom requirements.  
The information contained in this document is subject to change without notice.

Vigortronix, 16 De Havilland Way, Witney, Oxfordshire, OX29 0YG, UK

Tel. +44 (0)1993 777570 Fax. +44 (0)1993 777580 Web. www.vigortronix.com E-mail: sales@vigortronix.com

Vigortronix is a trading name of Vigortronix (UK) Limited