

SPECIFICATION

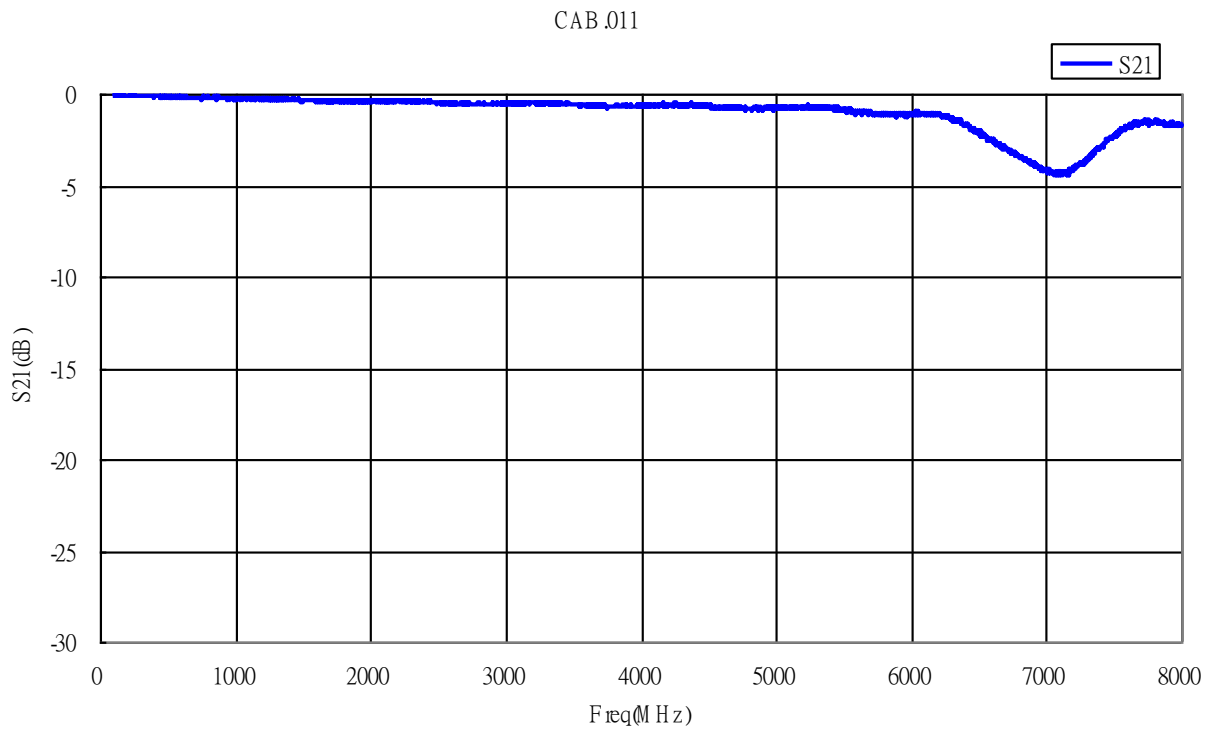
Part No. : **CAB.011**

Product Name : Taoglas Cable Assembly
IPEX MHFI to SMA(F)Bulkhead Straight Connector
with 95mm \varnothing 1.13 cable

Photo :

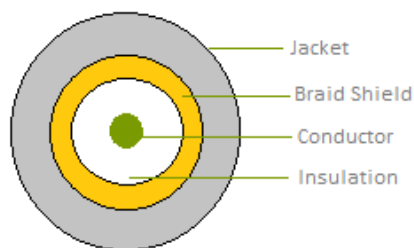


1. Cable Insertion Loss

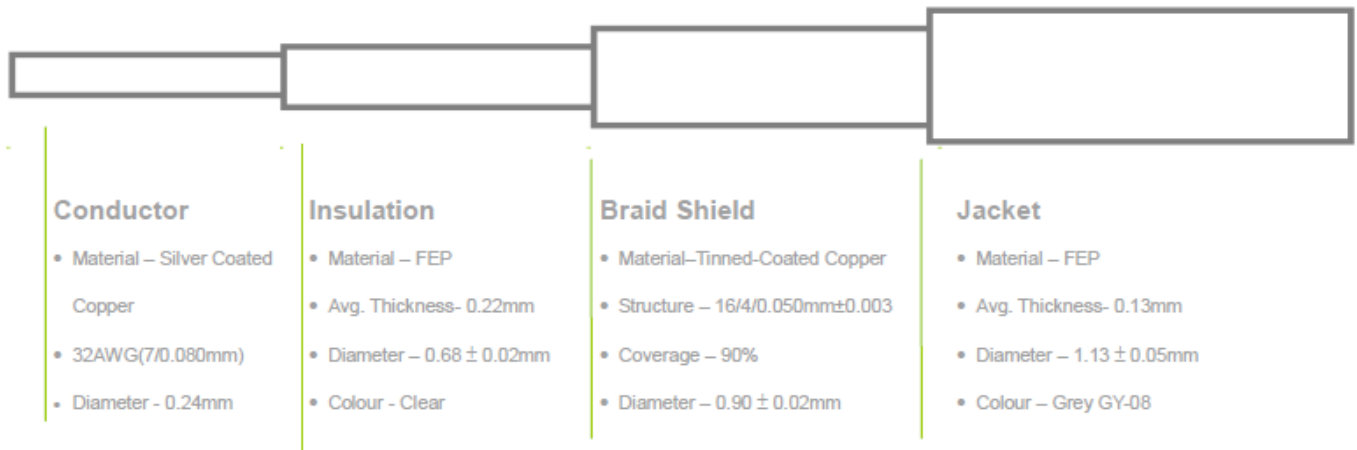


2. 1.13 Cable Specification

2.1 Drawing – Cross Section



2.2 Structure and Dimensions

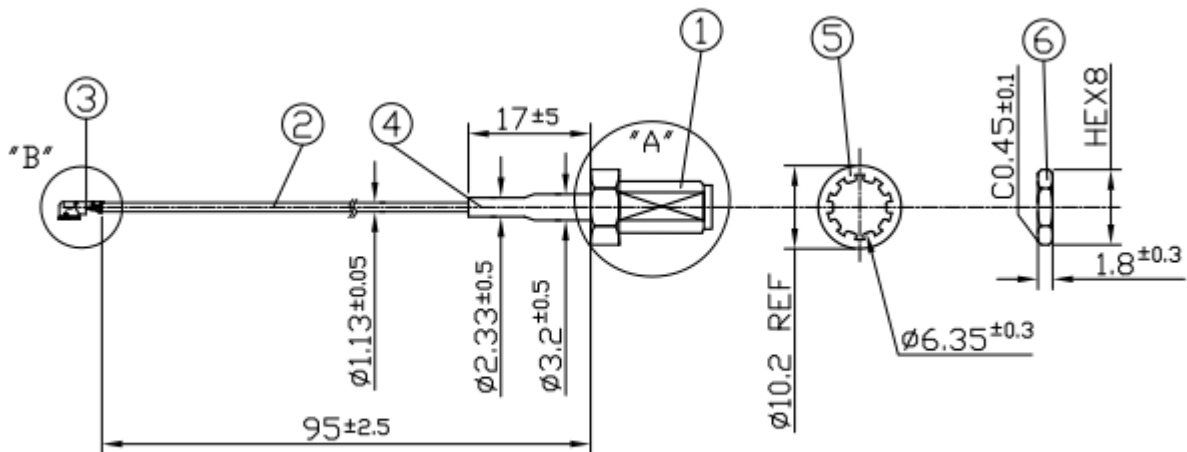


2.3 Electrical & Physical Specification

1	Item:	32 AWG		
2	Rating Temp Voltage:	105°C 30V UL 1979		
3	Insulation Resistance:	1000 MEGA OHM-KM Min.		
4	Conductor Resistance:	545 OHM/KM/20°C Max.		
5	Dielectric Strength:	AC 1.0 KV/minute		
6	Spark test:	2.5 KV		
7	Insulation	Unaged	Tensile Strength	2500 PSI Min.(1.76Kg/mm ²)
			Elongation	200% min.
		Aged	Tensile Strength	Unaged Min 75%(168HRS*232°C)
8	Jacket	Unaged	Tensile Strength	2500 PSI Min.(1.76Kg/mm ²)
			Elongation	200% min.
		Aged	Tensile Strength	Unaged Min 75%(168HRS*232°C)
9	Nom. Impedance	50 ± 3 Ohms		
		96 ± 3 pF/m		
10	Nom. Capacitance	69%		
11	Nom. Vel. Of Prop.	Max 1.3		
12	VSWR (0-6GHz)	VW-1 OK		
13	Flame Test	2.0GHz 2.80		
14	Attenuation (dB/1M)	2.4GHz 3.10		
		3.0GHz 3.50		
		4.0GHz 4.00		
		5.0GHz 4.60		
		6.0GHz 5.10		

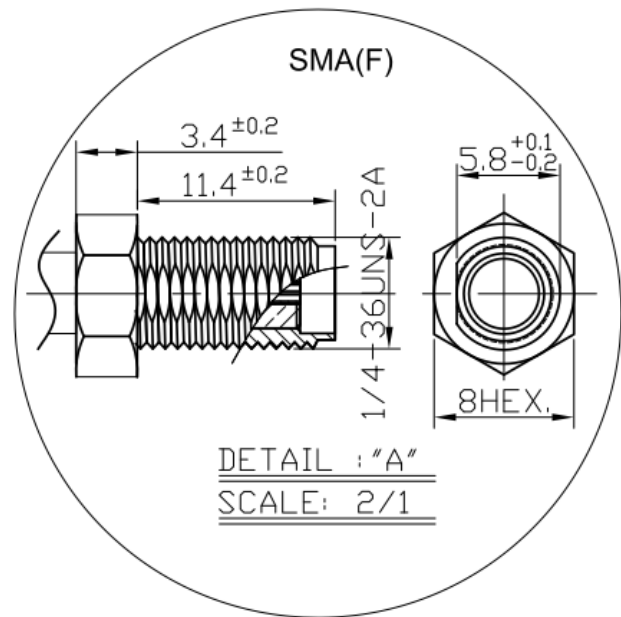
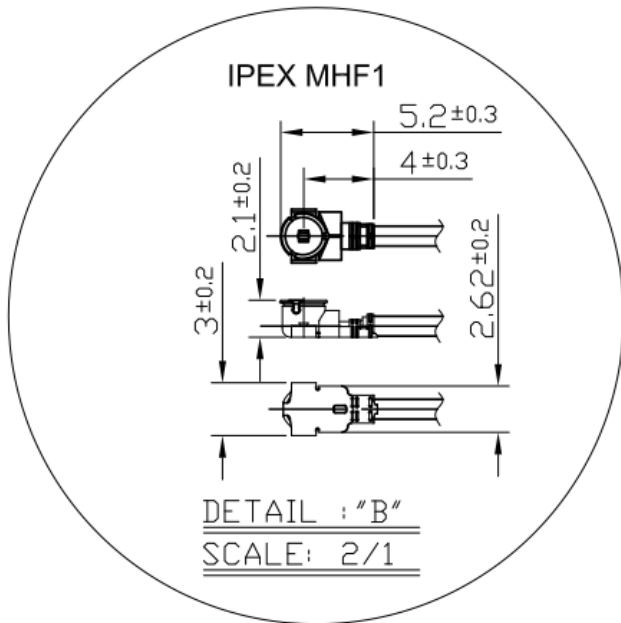
3. Technical Drawing

3.1 CAB.011

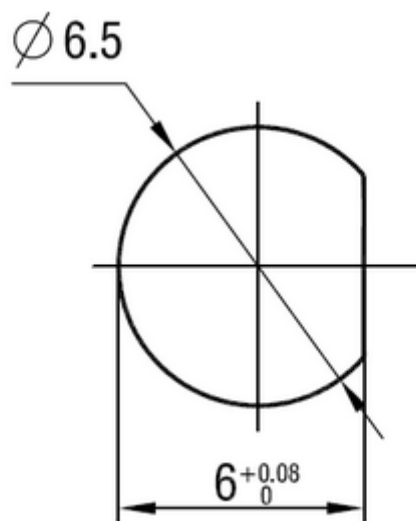


	Name	Material	Finish	QTY
1	SMA(F) Bulk Head ST	Brass	Gold	1
2	1.13 Coaxial Cable	FEP Jacket	Black	1
3	IPEX MHF1	Brass	Gold	1
4	Heat Shrink Tube	PE	Black	1
5	Washer	Brass	Gold	1
6	Nut	Brass	Gold	1

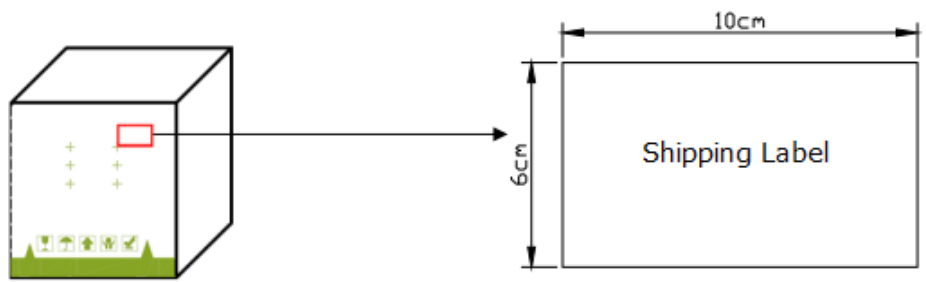
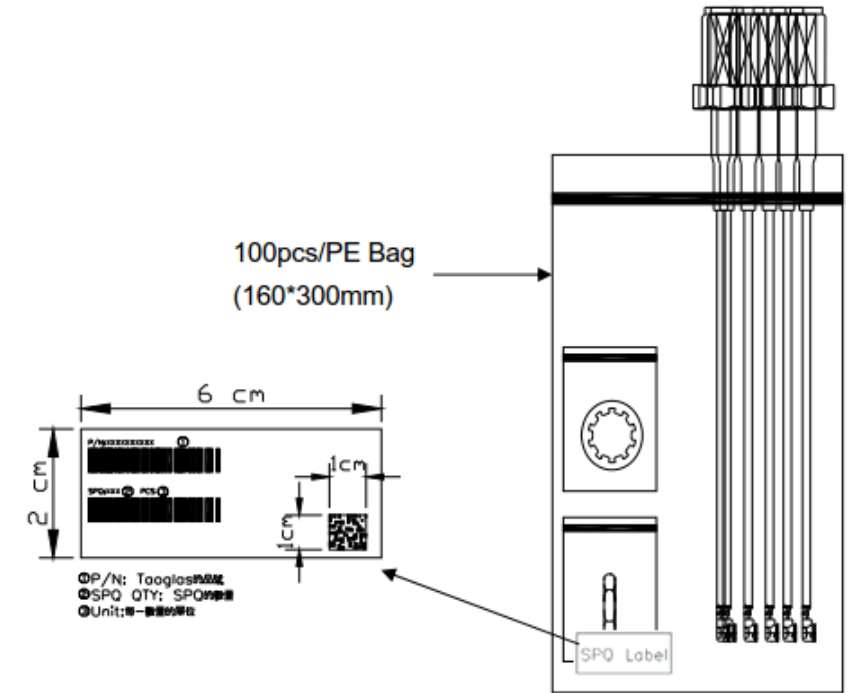
3.2 Connectors



3.3 Recommended Mounting Hole – SMA(F) Bulkhead



4. Packaging



3000PCS/Carton
(320mm*250mm*230mm)