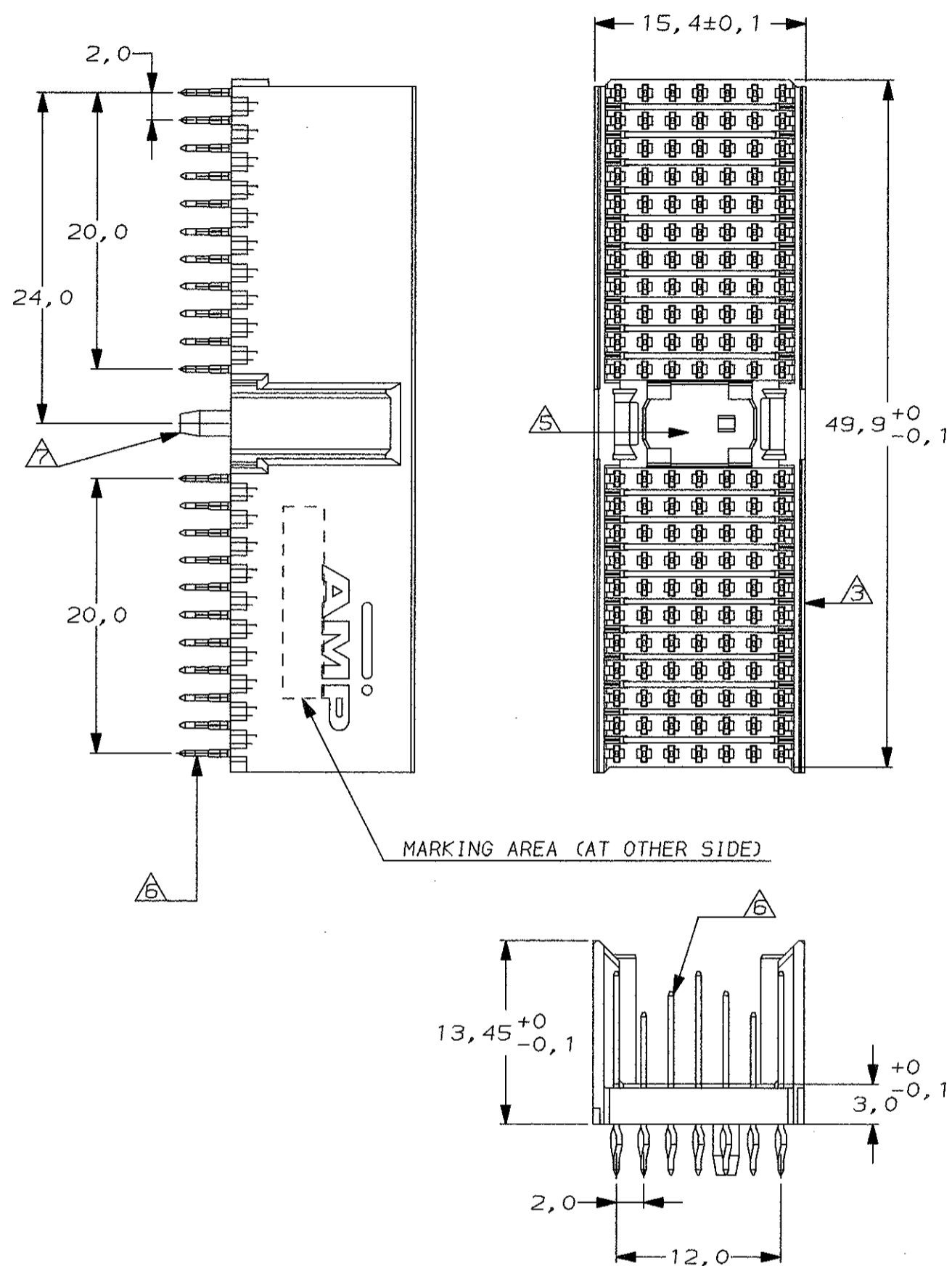
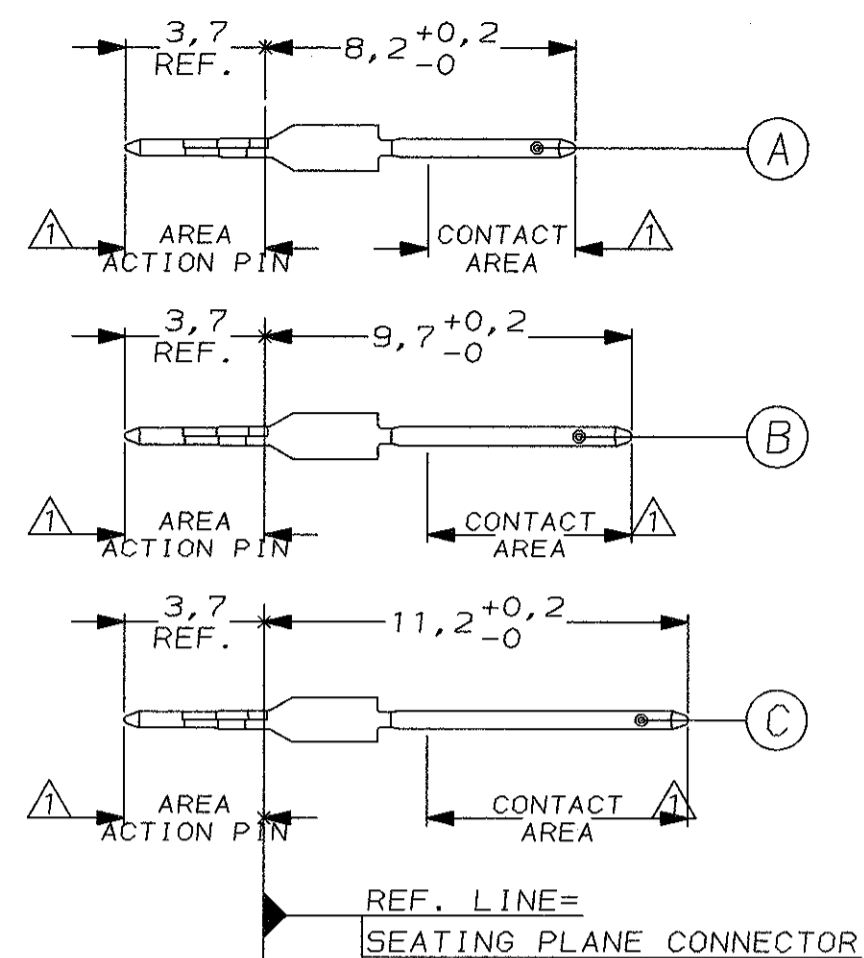


CONNECTOR ASSEMBLY EXEMPLARY LOADED



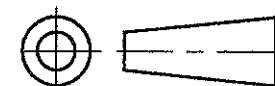
CONTACT DIMENSIONS



DO NOT SCALE
DIMENSIONS IN mm

METRIC

THIRD ANGLE
PROJECTION



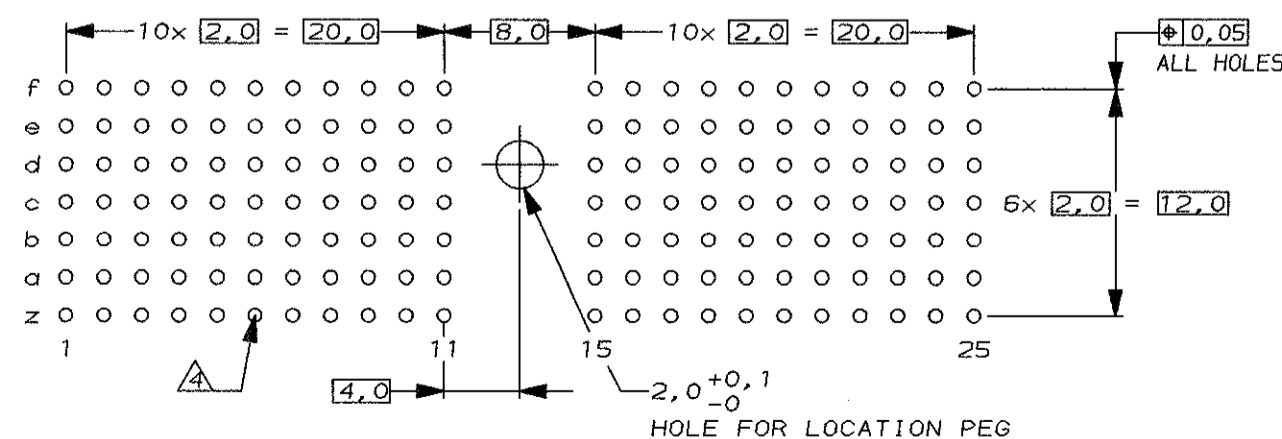
CONTACT LAYOUT

	z	a	b	c	d	e	f
1	C	B	B	B	B	B	C
2	C	B	B	B	B	B	C
3	C	B	B	B	B	B	C
4	C	B	B	B	B	B	C
5	C	B	B	B	B	B	C
6	C	B	B	B	B	B	C
7	C	B	B	B	B	B	C
8	C	B	B	B	B	B	C
9	C	B	B	B	B	B	C
10	C	B	B	C	B	B	C
11	C	B	B	B	A	B	C
MULTI PURPOSE CENTRE							
15	C	B	B	B	B	B	C
16	C	B	B	B	B	B	C
17	C	B	B	B	B	B	C
18	C	B	B	B	B	B	C
19	C	B	B	B	B	B	C
20	C	B	B	B	B	B	C
21	C	B	B	B	B	B	C
22	C	B	B	B	B	B	C
23	C	B	B	B	B	B	C
24	C	B	B	B	B	B	C
25	C	B	B	B	B	B	C

PART NO.	UNDER-COATING µm Ni MIN.	CONTACT AREA µm Au MIN.	ACTION-PIN AREA µm	CONSERVATION TREATMENT
188834-1	1,3	0,8	0,5-2,5 Sn/Pb	NO
188834-4	1,3	1,3	0,5-2,5 Sn/Pb	NO
188834-9	1,3	0,8	0,5-2,5 Sn/Pb	YES
-	-	-	-	-
-	-	-	-	-

NOTES:

- △ FOR FINISH TYPES SEE PLATING TABLE.
- △ MATERIAL CONTACT: PHOSPHORBRONZE.
MATERIAL HOUSING: GREY GLASSFILLED POLYESTER UL-RATING 94V0.
- △ CONNECTOR MARKED WITH PART NUMBER AND DATE CODE.
- △ PLATED-THROUGH HOLES AT 2x2mm SQUARE GRID, TOTAL 154 HOLES.
- △ AREA FOR KEYING PART (BASIC PART NUMBER 100525).
- △ FOR ACTUAL PIN LOADING SEE "CONTACT LAYOUT".
- △ LOCATION PEG.
- △ CONNECTOR LUBRICATED WITH BELCORE APPROVED LUBRICANT TECHNICAL REFERENCE TR-NWT-001217 ISSUE 1 SEPT 1992



RECOMMENDED PCB-HOLE LAY-OUT
COMPONENT SIDE SHOWN

P.C.B. HOLE DIM. ACTION PIN

DRILLED HOLE: 0,7 ± 0,025mm
FIN. HOLE : 0,55 TO 0,65mm
Cu-thks : 0,025 TO 0,050mm
SnPb-thks : 0,004 TO 0,010mm

REV.	DESCRIPTION	DATE	BY	CHK.	DATE	APP.	DATE	DWG. No.	REV. LTR.	SHEET
-	-	-	-	-	-	-	-	-	-	-
-	-	-	-	-	-	-	-	-	-	-
-	-	-	-	-	-	-	-	-	-	-
-	-	-	-	-	-	-	-	-	-	-
-	-	-	-	-	-	-	-	-	-	-
-	-	-	-	-	-	-	-	-	-	-
-	-	-	-	-	-	-	-	-	-	-
B	EH-1609-98	LvdH	LvdR	22-JAN-99	-	-	-	CUSTOMER DRAWING FOR REFERENCE ONLY WILL NOT BE UPDATED © COPYRIGHT 1998 BY AMP HOLLAND B.V. ALL INTERNATIONAL RIGHTS RESERVED. AMP PRODUCTS MAY BE COVERED BY U.S. AND FOREIGN AND/OR PATENTS PENDING. THIS DRAWING IS UNPUBLISHED RELEASED FOR PUBLICATION	AMP HOLLAND B.V. 's-Hertogenbosch, The Netherlands.	1 OF 1
A	EH-0409-98	LvdH	DT	18-MAR-99	-	-				
O	EH-1277-95	DT	FvK	26-10-95	-	-				
LTR.	REVISION RECORD	DR.	CHK.	DATE	DR.	CHK.	DATE	C-188834	B	A2
DR.	L.V.D. HEIJDEN	CHK.	V.D. REE	DATE: 22-JAN-99	DATE: 22-JAN-99	DATE:	-			