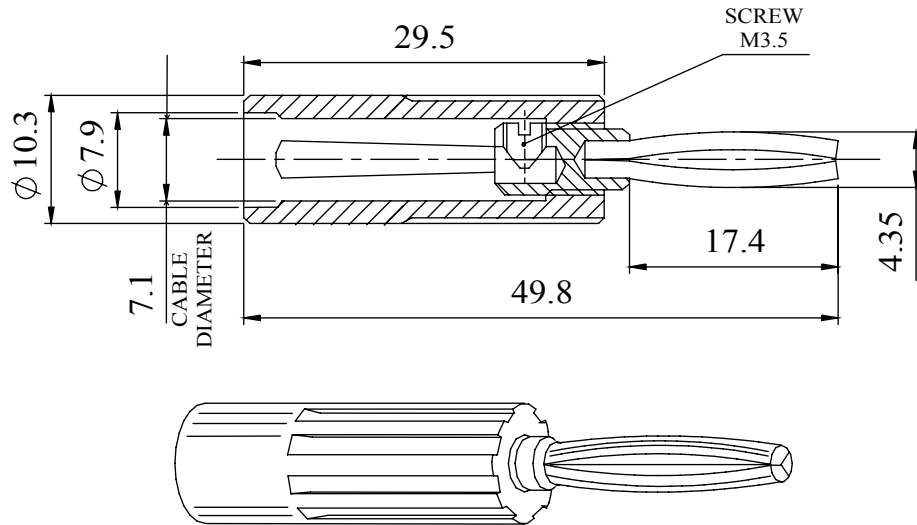


A very reliable plug, rated at 10 Amps, with a screw connection for the lead wire and a screw-on rigid acetal moulding. Accepts up to 7,1mm diameter cable with a conductor of 3,5mm diameter.

Dimensions

MAXIMUM CONDUCTOR SIZE 3.5mm



MATERIALS

HOUSING : Acetal C 27021 R
 TRIPLE : Brass,
 CONTACTS : flash gold plated
 CABLE : or nickel plated

LEAD ENTRY : $\varnothing 7,1$ mm
 WIRE : $\varnothing 3,5$ mm

RATING : 10 AMPS
 RATED VOLTAGE : 50V

| COLOUR | NICKEL | FLASH GOLD PLATING |
|--------|----------|--------------------|
| BLACK | 557-0100 | 557-0100-41 |
| BLUE | 557-0200 | 557-0200-41 |
| BROWN | 557-0300 | 557-0300-41 |
| GREEN | 557-0400 | 557-0400-41 |
| RED | 557-0500 | 557-0500-41 |
| WHITE | 557-0600 | 557-0600-41 |
| YELLOW | 557-0700 | 557-0700-41 |