

JBC

www.jbctools.com



MS

ELECTRIC

SUCTION MODULE

MS / ELECTRIC SUCTION MODULE

MS-A
Electric Suction Module



0010207
Module Cable connector



MANUAL



0821830
Suction Filter



0005966
50 Filters Box



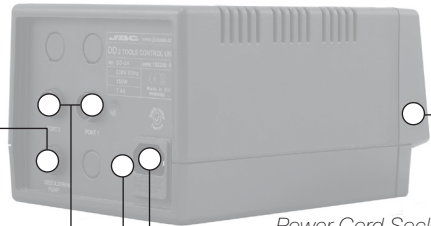
0781046
Cotton Filters



INSTALLATION

MS-A
Electric Suction Module

DD-2B
Control Unit



USB
connector
to PC

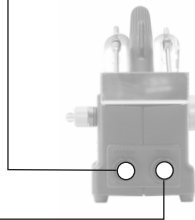
Power Cord Socket
Equipotential connection

Connectable control units:
DI, DD, DDR, DM.

Connectable Compact line:
CS



DR560-A
Desoldering Iron



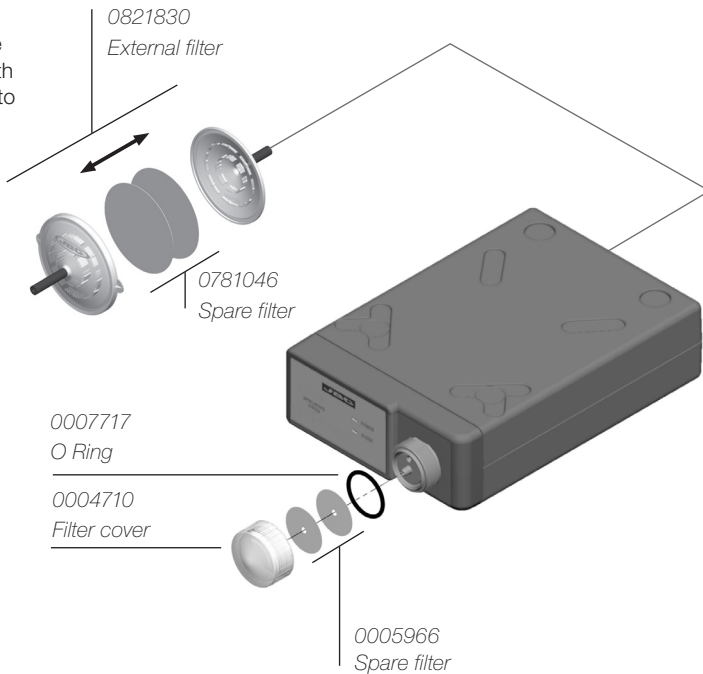
DR-SD
Desoldering
Stand

ELECTRIC SUCTION MODULE ELEMENTS



CHANGING PUMP FILTERS

IMPORTANT!!!
Do not open the external filter with sharps in order to avoid damage



TECHNICAL SPECIFICATIONS

- Weight of complete unit: 1,2 Kgs.
- Complies with CE standards on electrical safety, electromagnetic compatibility and ESD protected housing "skin effect".
- RoHS compliant.
- Equipotential connector and the tool tip are connected to station mains ground supply for ESD protection.



This product should not be thrown in the garbage.

JBC

WARRANTY

JBC's 2 year warranty covers this equipment against all manufacturing defects, including the replacement of defective parts and labour.

Warranty does not cover product wear due to use or mis-use.

In order for the warranty to be valid, equipment must be returned, postage paid, to the dealer where it was purchased enclosing this form duly filled in.

SERIAL N°

DEALER'S STAMP

DATE OF PURCHASE
