

Connector Location A

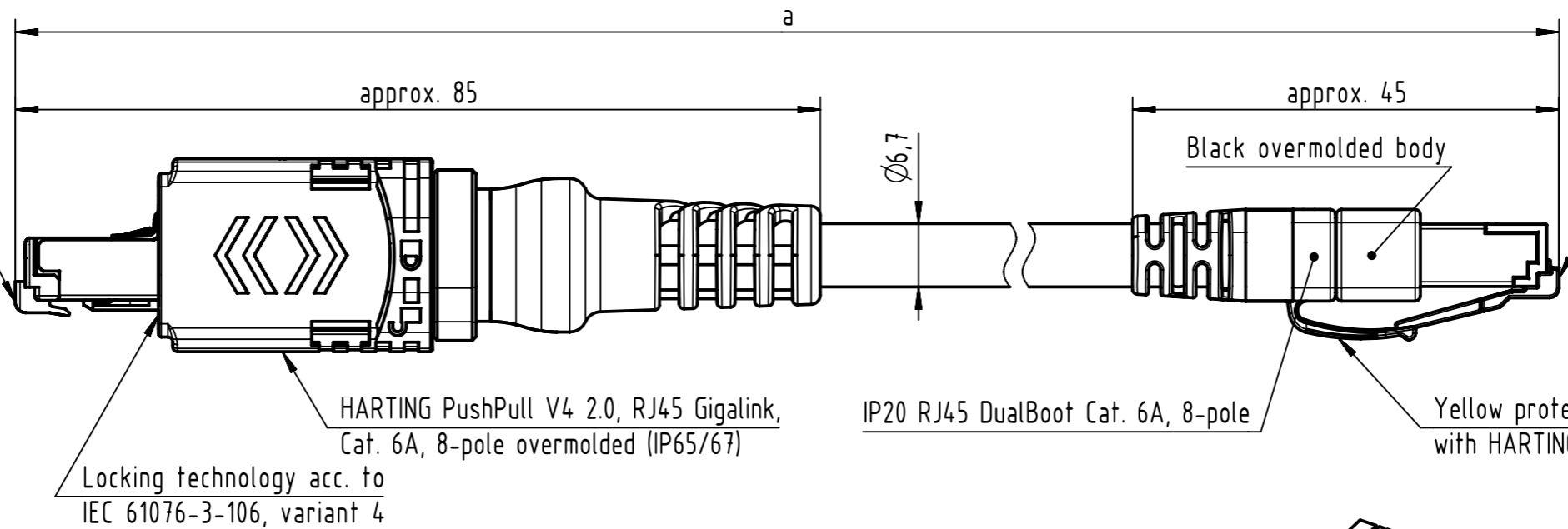
Connector Location B

Mating face RJ45  
acc. to IEC 60603-7

X

Mating face RJ45  
acc. to IEC 60603-7

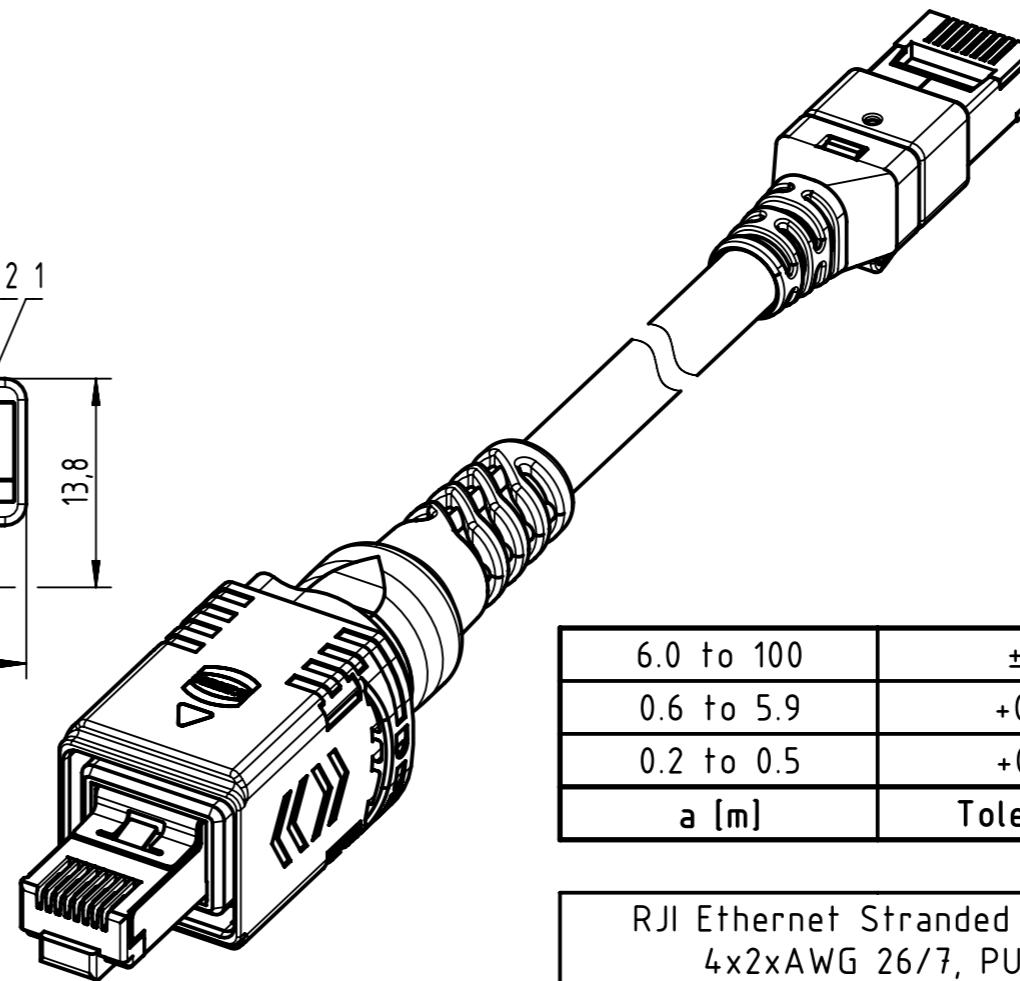
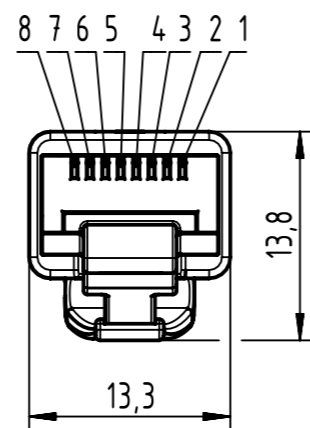
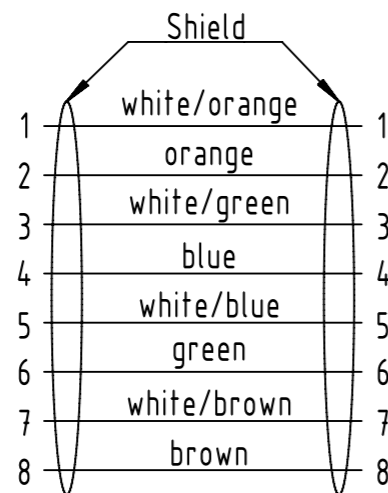
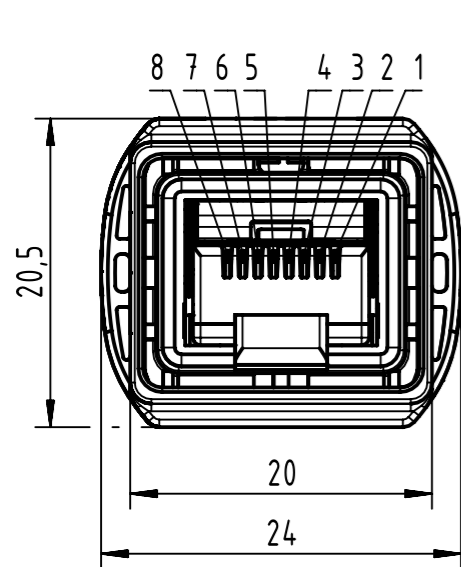
Y



X  
male

Loading Plan  
acc. to TIA/EIA 568B

Y  
male



6.0 to 100	±1%
0.6 to 5.9	+0.04
0.2 to 0.5	+0.02
a [m]	Tolerance

length in "1m" step	100	XXX=000
	99	XXX=990
	12	XXX=120
	11	XXX=110
length in "0.1m" step	10	XXX=100
	9.9	XXX=099
	9.8	XXX=098
	0.5	XXX=005
	0.4	XXX=004
	0.3	XXX=003
	0.2	XXX=002
Step	a [m]	XXX

Temperature range:  
- Fixed installation: -40°C ... +80°C  
- Dynamic installation: -40°C ... +80°C

NOTE:  
\* For lengths < 1.0m:  
- relative positioning of the connectors to each other will be as presented in the drawing, however with an admissible angular deviation around cable axis of ± 30°  
\* For lengths ≥ 1.0m:  
- relative positioning of the connectors to each other not obligatory  
\* Ethernet transmission possible for lengths up to 45m

RJI Ethernet Stranded Cable, 4x2xAWG 26/7, PUR, Cat. 6A, yellow	09482847756XXX
Type of cable	Part no.

	All rights reserved	Created by COSTEA Costea	Inspected by 402676 Gross	Standardisation MUNTEANV Muntean	Date 2020-11-02	State Final Release
	Department HCS - RO	Title PPV4 2.0 RJ45 - RJ45 IP20 Cat6A PUR		Doc-Key / ECM-Nr. 100696529/UGD/001/F 500000182295		
HARTING Customised Solutions D-32339 Espelkamp		Type TB	Number 09482847756XXX		Rev. F	Page 1/1