

SUPPRESSOR FOR CONTACTORS

RC, 230 VAC/DC, 25 VA/W

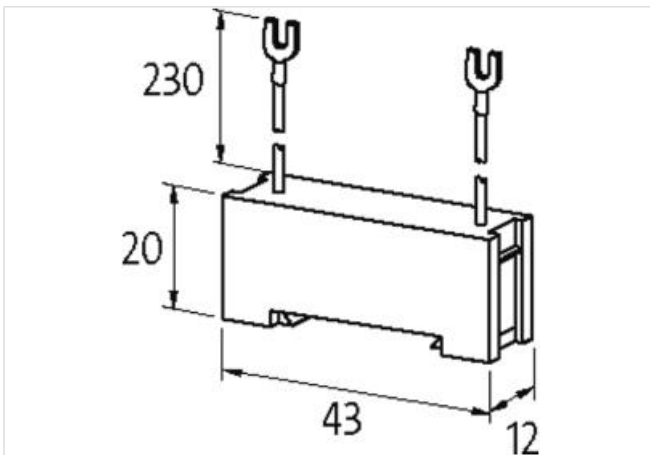
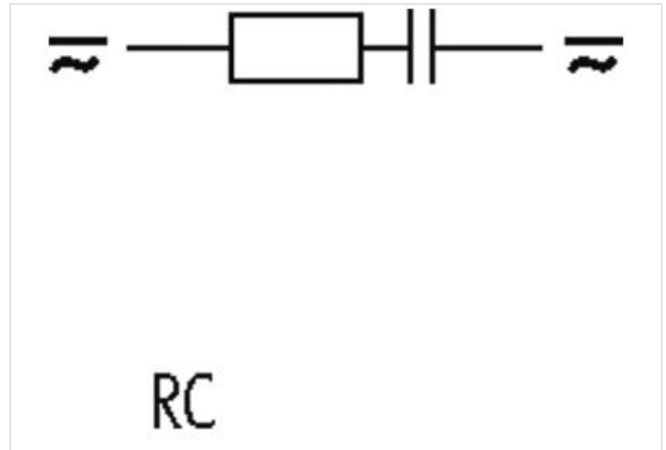
230 V AC/DC

RC

For other configurations and voltages, please inquire.

[Link to Product](#)

Illustration



Product may differ from Image



Commercial data

ECLASS-6.0	27371013
ECLASS-6.1	27371013
ECLASS-7.0	27371013
ECLASS-8.0	27371013
ECLASS-9.0	27371013
ECLASS-10.1	27371013

ECLASS-11.1	27371013
ECLASS-12.0	27371013
ETIM-5.0	EC002498
customs tariff number	85363010
GTIN	4048879020626
Packaging unit	1

Compatibility | Compatible with

Appropriate contactors	universal
------------------------	-----------

Electrical data

Holding power max.	25 W
--------------------	------

Electrical data | Input

Input voltage AC min.	110 V
Input voltage AC max.	250 V
Input voltage DC min.	110 V
Input voltage DC max.	250 V

Mechanical data | Mounting data

Height	20 mm
Width	43 mm
Depth	12 mm

Environmental characteristics | Climatic

Operating temperature min.	-20 °C
Operating temperature max.	70 °C