



Fortis Zd

TE Internal #: 2000903-1

High Speed Backplane Connectors, Board-to-Board, 180 Position,
Row-to-Row Spacing 1.4 mm [.055 in], Mating Alignment

[View on TE.com >](#)

Connectors > PCB Connectors > Backplane Connectors > High Speed Connectors



Connector System: **Board-to-Board**

Number of Positions: **180**

Row-to-Row Spacing: **1.4 mm [.055 in]**

Mating Alignment: **With**

Mating Alignment Type: **Polarization**

Features

Product Type Features

Connector System	Board-to-Board
PCB Connector Assembly Type	PCB Mount Header
Shroud Style	Partially Shrouded
Connector & Contact Terminates To	Printed Circuit Board

Configuration Features

Number of Positions	180
Number of Rows	9
Number of Columns	20
Backplane Architecture	Traditional Backplane
PCB Mount Orientation	Right Angle
Guide Location	Center

Contact Features

Contact Current Rating (Max)	1.5 A
------------------------------	-------

Mechanical Attachment

Mating Alignment	With
Mating Alignment Type	Polarization
Connector Mounting Type	Board Mount

Housing Features

--	--



Number of Shrouded Sides	2
Centerline (Pitch)	.08 mm[1.9 in]

Dimensions

Row-to-Row Spacing	1.4 mm[.055 in]
--------------------	-----------------

Usage Conditions

Operating Temperature Range	-65 – 125 °C[-85 – 257 °F]
-----------------------------	----------------------------

Operation/Application

Circuit Application	Signal
---------------------	--------

Product Compliance

For compliance documentation, visit the product page on [TE.com](#)>

EU RoHS Directive 2011/65/EU	Not Compliant
EU ELV Directive 2000/53/EC	Not Compliant
China RoHS 2 Directive MIIT Order No 32, 2016	Restricted Materials Above Threshold
EU REACH Regulation (EC) No. 1907/2006	Current ECHA Candidate List: JAN 2021 (211) Candidate List Declared Against: JUL 2019 (201) SVHC > Threshold: Pb (13% in in component part) Article Safe Usage Statements: Do not eat, drink or smoke when using this product. Wash thoroughly after handling. Recycle if possible and dispose of the article by following all applicable governmental regulations relevant to your geographic location.
Halogen Content	Low Halogen - Br, Cl, F, I < 900 ppm per homogenous material. Also BFR/CFR/PVC Free
Solder Process Capability	Not applicable for solder process capability

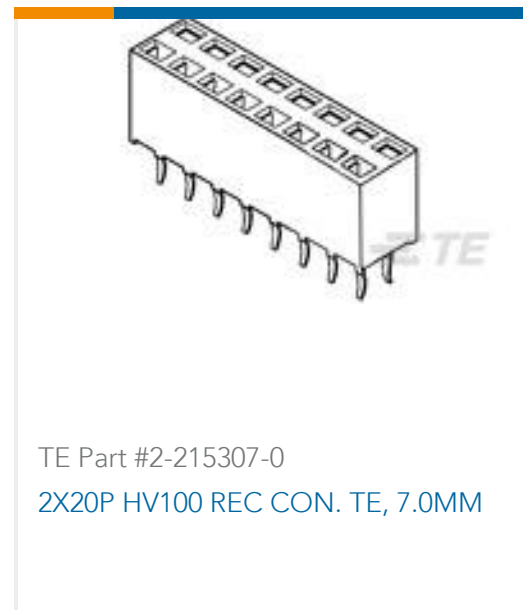
Product Compliance Disclaimer

This information is provided based on reasonable inquiry of our suppliers and represents our current actual knowledge based on the information they provided. This information is subject to change. The part numbers that TE has identified as EU RoHS compliant have a maximum concentration of 0.1% by weight in homogenous materials for lead, hexavalent chromium, mercury, PBB, PBDE, DBP, BBP, DEHP, DIBP, and 0.01% for cadmium, or qualify for an exemption to these limits as defined in the Annexes of Directive 2011/65/EU (RoHS2). Finished electrical and electronic equipment products will be CE marked as required by Directive 2011/65/EU. Components may not be CE marked. Additionally, the part numbers that TE has identified as EU ELV compliant have a maximum concentration of 0.1% by weight in homogenous materials for lead, hexavalent chromium, and mercury, and 0.01% for cadmium, or qualify for an exemption to these limits as defined in the Annexes of Directive 2000/53/EC (ELV). Regarding the REACH Regulation, the information TE provides on SVHC in articles for this part number is based on the latest European Chemicals Agency (ECHA) 'Guidance on requirements for substances in articles' posted at this URL: <https://echa.europa.eu/guidance-documents/guidance-on-reach>

Customers Also Bought



TE Part #2-111196-5
010 RCPT SYSTEM 50 30 DPLX



TE Part #2-215307-0
2X20P HV100 REC CON. TE, 7.0MM



TE Part #1393586-3
V23535A2200A 60=BKMOD421 HEADE



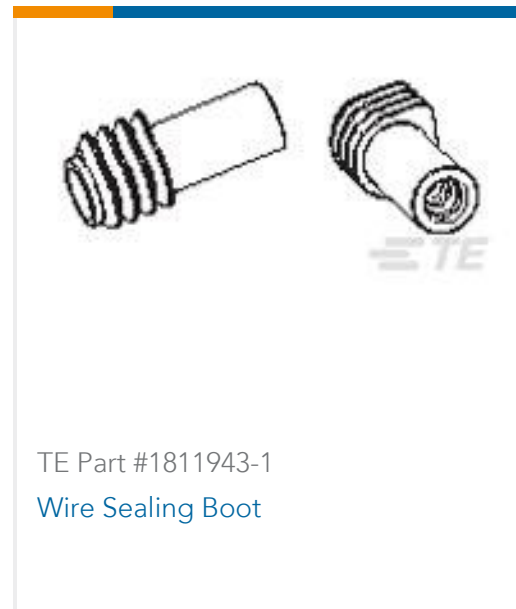
TE Part #11029759-00
Model 44900 Series



TE Part #1-120533-1
Free Height Plug Connector: Board-Board, Vertical, 64, 1mm



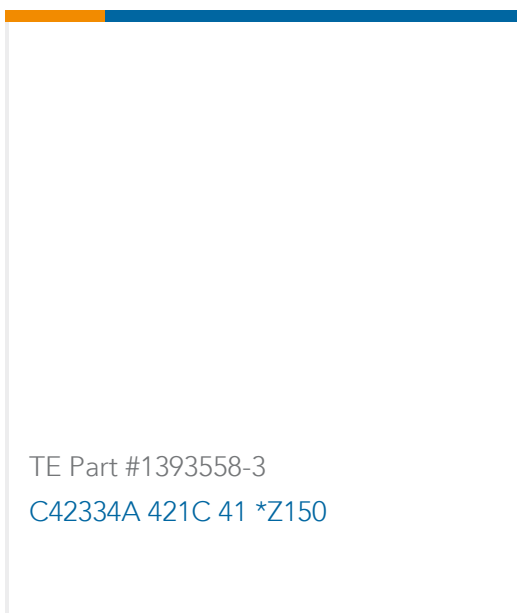
TE Part #1337817-2
50 OHM COAX SMB ELB PLUG ELB P



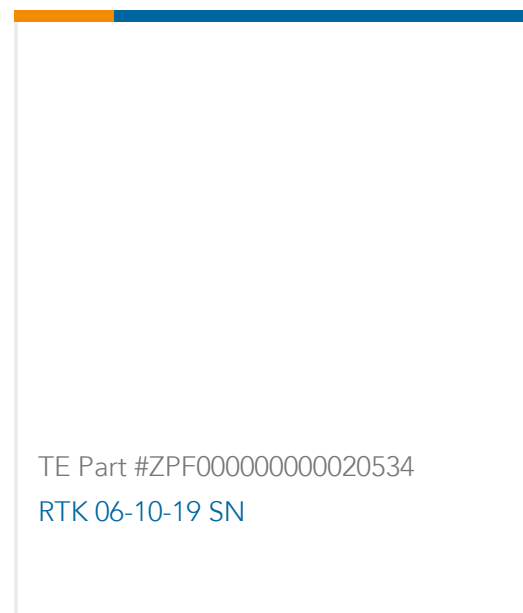
TE Part #1811943-1
Wire Sealing Boot



TE Part #102557-6
50 MODII HDR DRST SHRD A/PIN



TE Part #1393558-3
C42334A 421C 41 *Z150



TE Part #ZPF000000000020534
RTK 06-10-19 SN

Documents

Product Drawings

[Fortis Zd 3Pr 20Col R/A Cent Module Assy](#)

English

CAD Files

[3D PDF](#)

3D

Customer View Model

[ENG_CVM_CVM_2000903-1_B.2d_dxf.zip](#)

English

Customer View Model

[ENG_CVM_CVM_2000903-1_B.3d_igs.zip](#)

English

Customer View Model

[ENG_CVM_CVM_2000903-1_B.3d_stp.zip](#)

English

By downloading the CAD file I accept and agree to the [Terms and Conditions](#) of use.

Datasheets & Catalog Pages



Fortis Zd LRM

English

Product Specifications

Application Specification

English