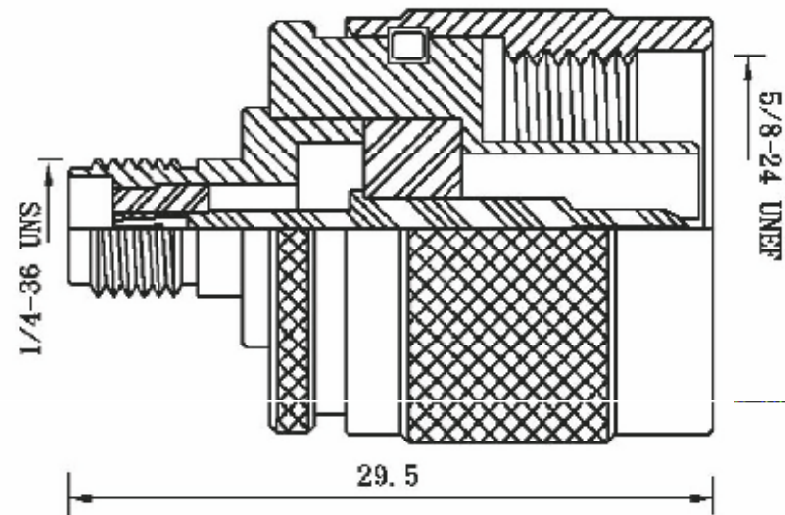


Datenblatt

Impedance	50 Ω
Frequency range	0-6 GHz
Voltage rating	RG-55.56.141.142.223.303 500: volts peak RG-122.174.188.316.375: 375 volts peak
VSWR	M39012 straight connectors: 1.3 max. 0-11GHz M39012 right angle: 1.35 max. 0-11GHz
othr (MIL-C-39012 cable connectors)	Contact resistance Center contact: 2.0 milliohm Body contact: 2.0 milliohm Insertion loss: 0.03√f[GHz] dB max Insulation resistance: 5000 megohms(min)
Coupling Torque	15.0 lb-in (1.70 N.m)
Temperature Range	-65°C ~ 185°C
Coupling Torque	15.0 lb-in (1.70 N.m)



NOTE: FINISH (PLATING THICKNESS IN MICRO-INCHES)

1. BODY: BRASS PER JIS-C3604
2. CONTACT: PH/BRONZE PER ASTM B196 UNS C17300
3. INSULATION: TEFLON PER ASTM D1457 AND ASTM D1710
4. CONNECTOR INTERFACE PER MIL-STD-348A
5. PART TO BE CLEAN AND FREE BURRS
6. NICKEL PL 70 μ" THICK OVER COPPER STRIKE
7. GOLD PL 1-3μ" OVER NICKEL PL 70 μ" THICK OVER COPPER STRIKE

4	Shell	Brass	Nickel
3	Insulator	Teflon	White
2	Contact	Brass	Gold
1	Body	Brass	Nickel
No	Description	Material	Finish