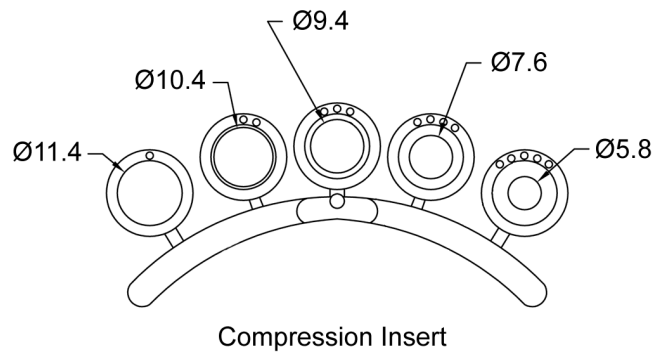
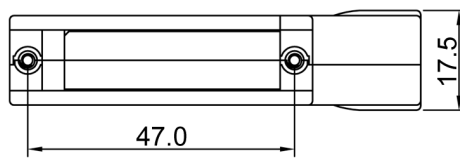
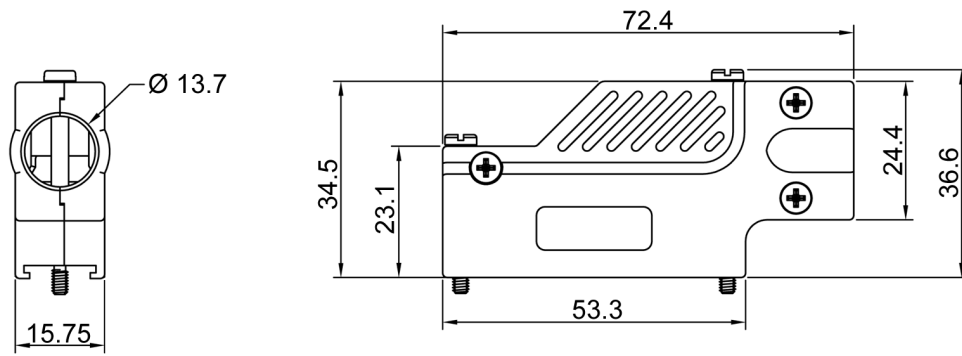
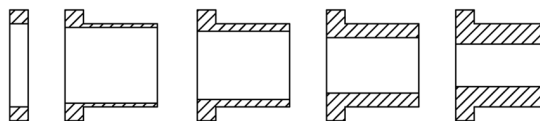


No.	Changes and/or Note No.	Date	Sign	No.	Changes and/or Note No.	Date	Sign



Compression Insert



DATE 2011-11-10	DRAWN MRR	SCALE	MATERIAL TYPE	
	APPROVED		REPLACES	
			DCMR25-ULP FULL METAL HOOD WITH COMP. INSERT	
			DRAWING No.	
			1060-0135-03	