

The innovative SBE® connectors provide cost-effective reliability, design flexibility and safety for your products' manufacture, installation and maintenance.

APP's 2 pole connector is available with a 320 amp rating, 150 Volts continuous AC or DC operation. There are SBE® connectors for many applications and wire sizes, 2/0 to 300 mcm (67.4 to 152.0 mm²). Mechanical keys ensure connectors will only mate with connectors of the same color. Different color housings are selected to identify voltages, thus preventing mismatching of the power supply system.

FEATURES

- **Genderless design**
Makes assembly quick and easy and reduces number of parts stocked
- **Auxiliary contacts**
Provides ability to incorporate a secondary circuit
- **Air supply system**
Supplies air to battery during charging



PRODUCT SPECIFICATIONS

Connector Model	SBE®320	Connector Model	SBE®320
UL Current Rating (Amperes)*	320*	Life	
UL Voltage Ratings (Volts)	150*	a. No load (Contact/Disconnect Cycles)	To 10,000
Contact Barrel Wire Size (AWG) (mm ²)	2/0 to 300 mcm 67.4 to 152	b. Under Load (Hot Plug 250 cycles @ 120V)	100A*
Maximum Wire Insulation Diameter (inches) (mm)	1.10 27.9	Avg. Connection/Disconnect (lbf)	30
AVG Contact Resistance* (micro-ohms)	50	Operating Temperature Range °C** °F	-20° to 105° -4° to 221°
Insulation Withstanding Test Voltage (Volts AC/DC)	1300	Flammability Rating of Housing Material	UL94 V-0
Contact Retention Force (lbf)	500		



* UL Rated for 65°C largest wire or cable size
** Contact factory for higher temperature rated connector

ORDERING INFORMATION

2 Pole Housing & 320 amp Contacts

Part Number	Housing Color	Wire AWG	sq. mm
E6334G1	Brown	2/0	67.4
E6334G2	Brown	3/0	85.0
E6334G6	Brown	#2	33.6
E6335G1	Purple	2/0	67.4
E6335G2	Purple	3/0	85.0
E6335G6	Purple	#2	33.6
E6345G1	Gray	2/0	67.4
E6345G2	Gray	3/0	85.0
E6345G6	Gray	#2	33.6
E6346G1	Blue	2/0	67.4
E6346G2	Blue	3/0	85.0
E6346G6	Blue	#2	33.6
E6347G1	Red	2/0	67.4
E6347G2	Red	3/0	85.0
E6347G6	Red	#2	33.6
E6348G1	Green	2/0	67.4
E6348G2	Green	3/0	85.0
E6348G6	Green	#2	33.6
E6363G1	Black	2/0	67.4
E6363G2	Black	3/0	85.0
E6363G6	Black	#2	33.6

2 pole housing & 320 amp contacts continued

Part Number	Housing Color	Wire AWG	sq. mm
E6364G1	Yellow	2/0	67.4
E6364G2	Yellow	3/0	85.0
E6364G6	Yellow	#2	33.6
E6369G1	Orange	2/0	67.4
E6369G2	Orange	3/0	85.0
E6369G6	Orange	#2	33.6

2 Pole Housing, Contacts & Auxiliary Contacts

Part Number	Housing Color	Wire AWG	sq. mm
E6332G1	Brown	2/0	67.4
E6332G2	Brown	3/0	85.0
E6332G6	Brown	N/A	35.0
E6333G1	Purple	2/0	67.4
E6333G2	Purple	3/0	85.0
E6333G6	Purple	N/A	35.0
E6340G1	Gray	2/0	67.4
E6340G2	Gray	3/0	85.0

2 pole housing, contacts & auxiliary contacts continued

Part Number	Housing Color	Wire AWG	sq. mm
E6340G6	Gray	N/A	35.0
E6341G1	Blue	2/0	67.4
E6341G2	Blue	3/0	85.0
E6341G6	Blue	N/A	35.0
E6342G1	Red	2/0	67.4
E6342G2	Red	3/0	85.0
E6342G6	Red	N/A	35.0
E6343G1	Green	2/0	67.4
E6343G2	Green	3/0	85.0
E6343G6	Green	N/A	35.0
E6359G1	Black	2/0	67.4
E6359G2	Black	3/0	85.0
E6359G6	Black	N/A	35.0
E6360G1	Yellow	2/0	67.4
E6360G2	Yellow	3/0	85.0
E6360G6	Yellow	N/A	35.0
E6368G1	Orange	2/0	67.4
E6368G2	Orange	3/0	85.0
E6368G6	Orange	N/A	35.0

Note: For additional colors please contact customer service

HEADQUARTERS: 13 Pratts Junction Road, P.O. Box 579, Sterling, MA 01564 T:978-422-3600 F:978-422-3700

EUROPE: Rathealy Road, Fermoy Co. Cork, Ireland T:353-(0)25-32277 F:353-(0)25-32296

ASIA/PACIFIC: IDEAL Anderson Asia Pacific Ltd., Unit 922-928 Topsail Plaza, 11 On Sum Street, Shatin N.T., Hong Kong T:852-2636-0836 F:852-2635-9036

CHINA: IDEAL Anderson Technologies (Shenzhen) Ltd., Block A8 Tantou W. Ind. Par, Songgang Baoan District, Shenzhen, PR. China 51810 T: 86-755-2768-2118 F: 86-755-2768-2218

TAIWAN: IDEAL Anderson Asia Pacific Ltd., Taiwan Branch, 4F-2, No.116, Dadun 20th St., Situn District, Taichung City 407, Taiwan (R.O.C.) T: 886-4-2310-6451 F:886-4-2310-6460

www.andersonpower.com

ORDERING INFORMATION

Housings Only

Part Number	Color
E6350	Gray
E6351	Blue
E6350	Gray
E6351	Blue
E6352	Red
E6353	Green
E6361	Black
E6362	Yellow
E6339	Orange
E6336	Brown
E6349	Purple

Contacts

Part Number	Description	Wire AWG	sq. mm
6354	Contact set (2)	2/0	67.4
6355	Contact set (2)	3/0	85.0
6356	Contact set (2)	4/0	107.2
6394	Contact set (2)		35.0
1341G1	DIN standard		50.0
1341G2	DIN standard		70.0
1341G3	DIN standard		95.0

Bushings

Part Number	Description	Wire AWG	sq. mm
5687	For use with 6354 contact & 5918 bushing	1/0 to #1	53.5 to 42.4
5690	For use with 6354 contact & 5918 bushing	1/0 to #2	53.5 to 33.6
5693	For use with 6354 contact & 5918 bushing	1/0 to #4	53.5 to 21.2
5663	For use with 6354 contact & 5918 bushing	1/0 to #6	53.5 to 13.3
5648	For use with 6354 contact & 5918 bushing	1/0 to #10	53.5 to 5.3
5918	For use with 6354 contact	2/0 to 1/0	67.43 to 53.5
5920	For use with 6394 contact	N/A	35 to 16mm

Accessories

Part Number	Description
6367G1	Pin kit #16/12 (1.31/3.31mm)-for battery
6366G2	Tube kit #16/12 (1.31/3.31mm)-for charger & truck
6337G1	Charger key
995G2	Handle with hardware "A" frame
993G1	Manual release-battery bracket with hardware
994G1	Manual release-charger/truck bracket with hardware
911G2	Cable clamps-use alone with manual release or "A" frame handle
6305G1	Auxiliary contact kit with contact part number 1331
6310G1	Auxiliary contact kit with contact part number 1332

Tooling

Part Number	Description
970P1	Extraction tool-insulated handle
111038G2	Contact insertion/extraction tool for auxiliary contact kit
1368	Hand tool for 1/0 to 95mm (53.5/95)
1387G1	Pneumatic tool
1387G2	Pneumatic tool
1388G2	- die for 2/0 to 4/0 (53.5/107.2)
1388G9	- die for 35mm
1389G2	- locator for 2/0 to 4/0 (53.5/107.2)
1303G7	- die for 70mm
1303G8	- die for 50mm
1304G7	- locator for 70mm
1304G8	- locator for 50mm

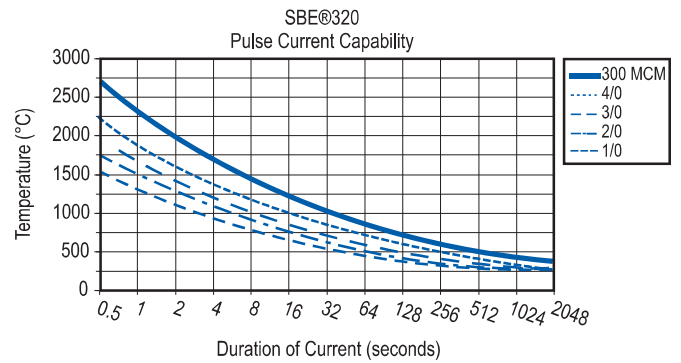
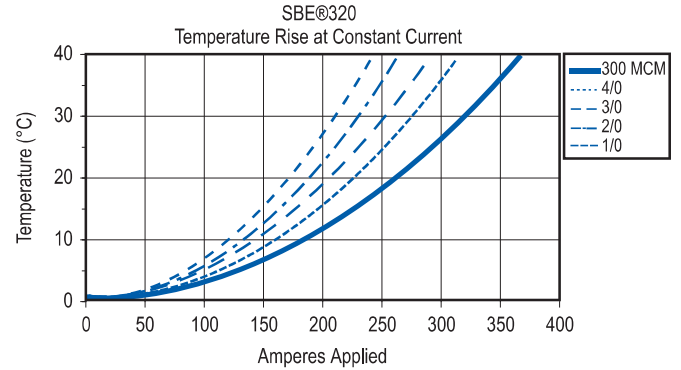


CSA Certified
File No. LR25154

RU US File No. E26226

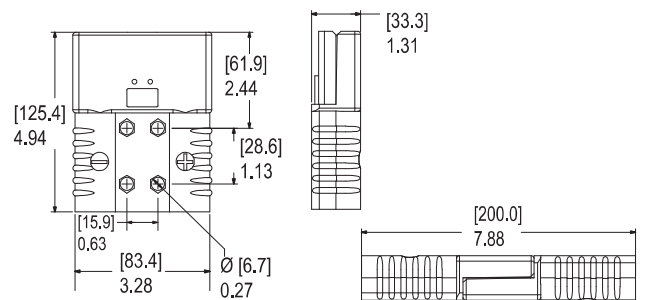
All Data Subject To Change Without Notice

TEMPERATURE RISE CHART



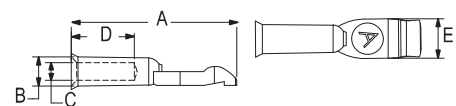
DIMENSIONS

Housing



Contacts

	-A-		-B-		-C-		-D-		-E-	
	mm	in.	mm	in.	mm	in.	mm	in.	mm	in.
6354	78.2	3.08	16.3	0.64	12.4	0.49	32.8	1.29	20.6	0.81
6355	78.2	3.08	17.9	0.70	14.7	0.58	31.2	1.23	20.6	0.81
6356	78.2	3.08	19.1	0.75	16.3	0.64	32.5	1.28	20.6	0.81
6394	78.2	3.08	13.0	0.51	9.5	0.38	32.3	1.27	20.6	0.81
1341G1	67.3	2.65	14.5	0.57	10.9	0.43	20.7	0.82	20.6	0.81
1341G2	69.6	2.74	17.3	0.68	13.0	0.51	20.7	0.82	20.6	0.81
1341G3	73.4	2.89	19.8	0.78	15.0	0.59	24.6	0.97	20.6	0.81



HEADQUARTERS: 13 Pratts Junction Road, P.O. Box 579, Sterling, MA 01564 T:978-422-3600 F:978-422-3700

EUROPE: Rathely Road, Fermoy Co. Cork, Ireland T:353-(0)25-32277 F:353-(0)25-32296

ASIA/PACIFIC: IDEAL Anderson Asia Pacific Ltd., Unit 922-928 Topsail Plaza, 11 On Sum Street, Shatin N.T., Hong Kong T:852-2636-0836 F:852-2635-9036

CHINA: IDEAL Anderson Technologies (Shenzhen) Ltd., Block A8 Tantou W. Ind. Par, Songgang Baoan District, Shenzhen, PR. China 51810 T: 86-755-2768-2118 F: 86-755-2768-2218

TAIWAN: IDEAL Anderson Asia Pacific Ltd., Taiwan Branch, 4F-2, No.116, Dadun 20th St., Situn District, Taichung City 407, Taiwan (R.O.C.) T: 886-4-2310-6451 F:886-4-2310-6460