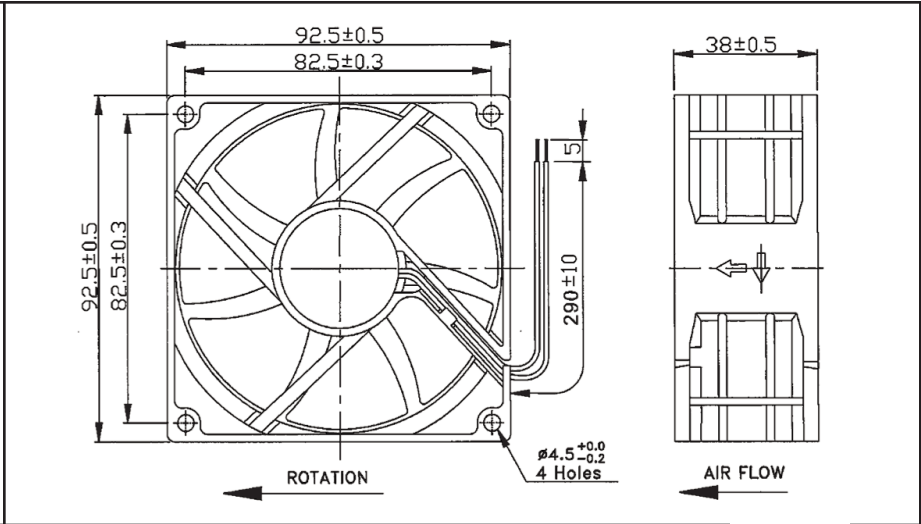


OD9238 VA Series

Vaneaxial, High Pressure

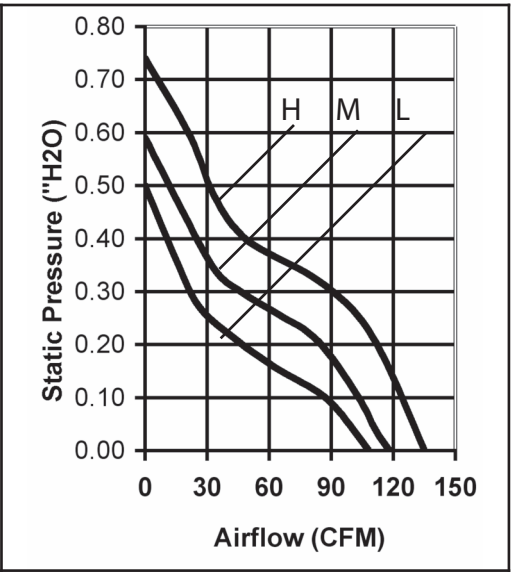


DC Fan - 12, 24, 48V
92x38mm (3.62" x 1.5")



Frame & Impeller	PBT, UL94V-0 plastic
Connection	2x Lead wires, 290mm, UL1007, AWG 24
Motor	Brushless DC, auto restart, polarity protected.
Bearing System	Dual ball bearing
Insulation Resistance	Min. 10M at 500VDC
Dielectric Strength	1 minute at 500 VAC, max leakage < 500 MicroAmp
Temperature Range	-10C ~ 70C
Storage Temperature	-40C ~ +80C

Available Options:
 IP55
 Tachometer (FG)
 Alarm
 PWM
 Super High Speed (150CFM)
 Life Expectancy (L10)
 75,000 hours (40C)
 Weight: ~0.42 lbs.
 m1



Model Number	Speed (RPM)	Airflow (CFM)	Noise (dB)	Volts DC	Real Power (Watts)	Real Current (Amps)	Max. Static Pressure (\"H ₂ O)
OD9238-12HBVXC	5400	135	58.5	12	16.56	1.38	0.74
OD9238-12MBVXC	4800	109	58	12	11.76	0.98	0.57
OD9238-12LBVXC	4400	108	52.5	12	9	0.75	0.50
OD9238-24HBVXC	5400	135	58.5	24	15.6	0.65	0.74
OD9238-24MBVXC	4800	118	55	24	11.28	0.47	0.59
OD9238-48HBVXC	5400	125	61.2	48	16.8	0.35	0.75