

## Cat 6A Extension lead



### **Cat 6A Extension lead (SGPXZ\*Bk)**

TUK's Category 6A low smoke zero halogen extension leads are designed manufactured and tested in accordance with the ISO and TIA standards for Category 6A. The use of an FTP cable effectively eliminates Alien Crosstalk from adjacent leads as well as protecting the lead from emissions from any other external sources. High gold plating on contacts ensures consistent high-quality mating.

#### ***Features:***

- Quick and easy extension of Category 5, 6 or 6A sockets without need for engineers
- Compliant with IEC60512-99-001 – suitable for use with IEEE 802.3at (PoE+) applications
- Terminated with high gold plated RJ45 shielded plug and socket
- Fitted with flush anti-snag strain relief boots making our leads suitable for use in high density switches
- Each lead individually tested for compliance

#### ***Specifications:***

- Available as: 3m, 10m, 20m/ SGPXZ3Bk, SGPXZ10Bk, SGPXZ20Bk,
- Net weight (including primary packaging): 3m: 128g, 10m: 340g, 20m: 646g
- Dimensions: (when packed) 3m: 160x200x35mm, 10m: 190x190x50mm 20m: 190x190x50mm
- Colour: Black

Materials:

Plug

- Contacts: 50µ"/1.27µm gold plated

Cable:

- Low Smoke Zero Halogen sheath, 4 twisted pairs of 26AWG stranded copper wires individually mylar overfoiled

Socket

- ABS housing over die cast nickel-plated zinc body, contacts: 50µ"/1.27µm gold plating over nickel, over phosphor bronze - suitable for at least 500 insertions
- 4PPoE+ compliant

**Packaging:** Supplied in individual poly bags

**Commodity code:** 85177090

**EAN:** SGPXZ3Bk: 5055386510693  
**SGPXZ10Bk:** 5055386510709  
**SGPXZ20Bk:** 5055386510716

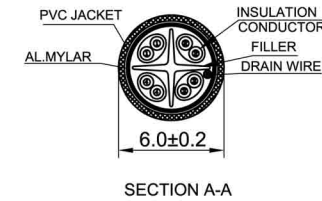
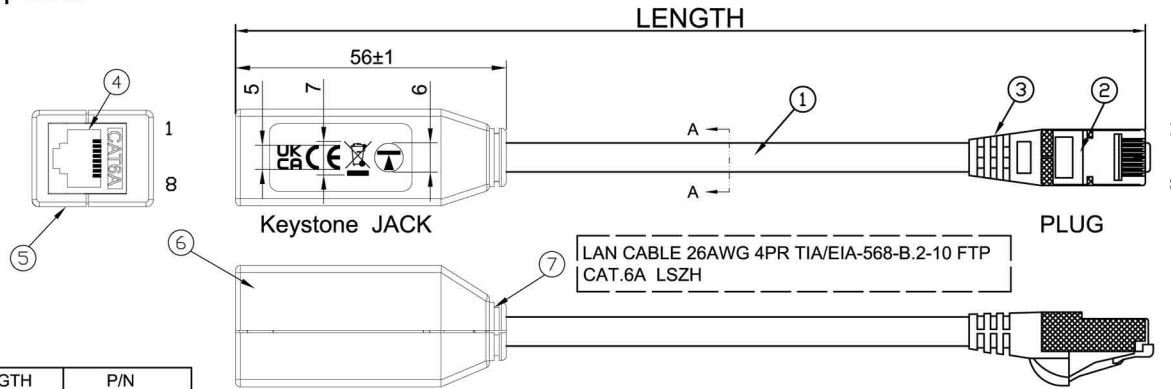
**Country of Origin:** China

**Other lengths available to order.**

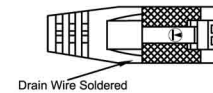
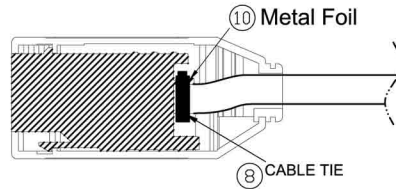
**See also related product – Portsaver (SGTS):** <https://tuk.co.uk/product/category-6a-portsaver-2/>

ROHS Compliant

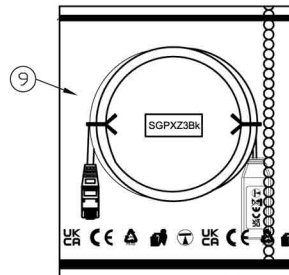
Code: SGPXZ\*BK



LENGTH	P/N
3M(±75mm)	SGPXZ3Bk
10M(±100mm)	SGPXZ10Bk
20M(±100mm)	SGPXZ20Bk



PIN OUT: T568B		
Keystone	PLUG	COLOR
PIN 1	PIN 1	WHITE/ORANGE
PIN 2	PIN 2	ORANGE
PIN 3	PIN 3	WHITE/GREEN
PIN 4	PIN 4	BLUE
PIN 5	PIN 5	WHITE/BLUE
PIN 6	PIN 6	GREEN
PIN 7	PIN 7	WHITE/BROWN
PIN 8	PIN 8	BROWN
Shielded	Shielded	DRAIN WIRE



NO.	NAME	MATERIAL	SPECIFICATION
10	Metal Foil	Aluminum	85X20X0.06mm
9	BAG	PE	185X240mm 220X250mm
8	CABLE TIE	PA	2.3X80mm
7	SR	ABS V0	Ø6.5 COLOR:BLACK(42)
6	BASE	ABS V0	COLOR:BLACK(42)
5	UPPER	ABS V0	COLOR:BLACK(42)
4	Keystone	—	8P8C CAT6A
3	Molding SR	PVC V0	80Pa COLOR:BLACK(NR)
2	PLUG	PC V0	8P8C 50U" Shielded
1	CABLE	LSZH	FTP CAT6A 26AWG(7*0.16) COLOR:BLACK(73)
ND.	NAME	MATERIAL	SPECIFICATION