

- 1
- 2
- 3
- 4
- 5
- 6
- 7
- 8
- 9
- 10
- 11
- 12
- 13
- 14
- 15
- 16
- 17
- 18

MATERIAL

AISI 303 stainless steel.

WINDOW

- Natural glass for use with maximum continuous working temperature 100°C (GN 743.4).
- ESG safety glass for use with maximum continuous working temperature 180°C (GN 743.5).

RING

- NBR synthetic rubber flat packing ring for use with maximum continuous working temperature 100°C (GN 743.4).
- FKM type VITON® flat packing ring, for use with maximum continuous working temperature 180°C (GN 743.5).

STANDARD EXECUTIONS

- **GN 743.4-A:** with reflector made out of technopolymer (PSU polysulfone), maximum continuous working temperature 100°C.
- **GN 743.5-A:** with reflector made out of technopolymer (PSU polysulfone), maximum continuous working temperature 180°C.
- **GN 743.4-B:** without reflector, with AISI 301 stainless steel seal ring, maximum continuous working temperature 100°C.
- **GN 743.5-B:** without reflector, with AISI 301 stainless steel seal ring, maximum continuous working temperature 180°C.

FEATURES AND APPLICATIONS

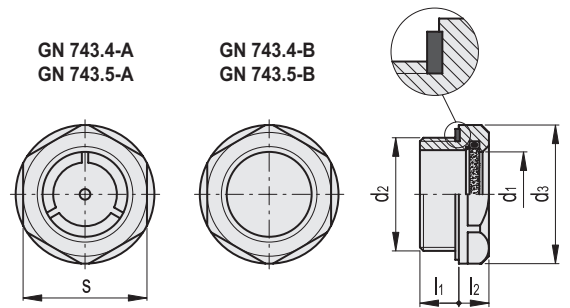
GN 743.4 and GN 743.5 oil level indicators can be used on pressurised oil tanks (oil-proof resistance data available on request).

The seal between the brass body and the ESG glass window is guaranteed by a packing ring in FKM type VITON®.

* Registered trademark by DuPont Dow Elastomers.

ACCESSORIES ON REQUEST

Brass nuts with Gas threadings, type GH. (see page 1574) for fitting to reservoirs with wall thickness smaller than 5 mm.



GN 743.4-A

GN 743.5-A



Code	Description	Code	Description	d1	d2	d3	l1	l2	s	⚖️
GN.37842	GN 743.4-11-M16X1,5-A	GN.37856	GN 743.5-11-M16X1,5-A	11	M16x1.5	22	8	7.5	20	19
GN.37844	GN 743.4-14-M20X1,5-A	GN.37858	GN 743.5-14-M20X1,5-A	14	M20x1.5	26	8.5	7.5	23	23
GN.37846	GN 743.4-18-M26X1,5-A	GN.37860	GN 743.5-18-M26X1,5-A	18	M26x1.5	32	9	8	30	41
GN.37848	GN 743.4-24-M33X1,5-A	GN.37862	GN 743.5-24-M33X1,5-A	24	M33x1.5	40	11	8.5	36	64
GN.37850	GN 743.4-32-M42X1,5-A	GN.37864	GN 743.5-32-M42X1,5-A	32	M42x1.5	50	12	9	46	102
GN.37841	GN 743.4-11-G3/8-A	GN.37855	GN 743.5-11-G3/8-A	11	G 3/8	22	8	7.5	20	19
GN.37843	GN 743.4-14-G1/2-A	GN.37857	GN 743.5-14-G1/2-A	14	G 1/2	26	8.5	7.5	23	23
GN.37845	GN 743.4-18-G3/4-A	GN.37859	GN 743.5-18-G3/4-A	18	G 3/4	32	9	8	30	41
GN.37847	GN 743.4-24-G1-A	GN.37861	GN 743.5-24-G1-A	24	G 1	40	11	8.5	36	64
GN.37849	GN 743.4-32-G1¼-A	GN.37863	GN 743.5-32-G1¼-A	32	G 1 1/4	50	12	9	46	102

GN 743.4-B

GN 743.5-B



Code	Description	Code	Description	d1	d2	d3	l1	l2	s	⚖️
GN.37548	GN 743.4-11-M16x1.5-B	GN.37462	GN 743.5-11-M16x1.5-B	11	M16x1.5	22	8	7.5	20	19
GN.37550	GN 743.4-14-M20x1.5-B	GN.37466	GN 743.5-14-M20x1.5-B	14	M20x1.5	26	8.5	7.5	23	23
GN.37552	GN 743.4-18-M26x1.5-B	GN.37470	GN 743.5-18-M26x1.5-B	18	M26x1.5	32	9	8	30	41
GN.37554	GN 743.4-24-M33x1.5-B	GN.37474	GN 743.5-24-M33x1.5-B	24	M33x1.5	40	11	8.5	36	64
GN.37556	GN 743.4-32-M42x1.5-B	GN.37478	GN 743.5-32-M42x1.5-B	32	M42x1.5	50	12	9	46	102
GN.37547	GN 743.4-11-G3/8-B	GN.37464	GN 743.5-11-G3/8-B	11	G 3/8	22	8	7.5	20	19
GN.37549	GN 743.4-14-G1/2-B	GN.37468	GN 743.5-14-G1/2-B	14	G 1/2	26	8.5	7.5	23	23
GN.37551	GN 743.4-18-G3/4-B	GN.37472	GN 743.5-18-G3/4-B	18	G 3/4	32	9	8	30	41
GN.37553	GN 743.4-24-G1-B	GN.37476	GN 743.5-24-G1-B	24	G 1	40	11	8.5	36	64
GN.37555	GN 743.4-32-G1¼-B	GN.37479	GN 743.5-32-G1¼-B	32	G 1 1/4	50	12	9	46	102

Accessories for hydraulic systems