

STANDARD EXECUTIONS

Base with stainless steel 304 threaded blind ball joint:

- **LMP-SST (d)**: without no-slip disk.
- **LMP-SST-TR (d)**: with thermoplastic elastomer no-slip coating (TPE)
- **LMP-SST-TV (d)**: with vulcanised rubber (NBR) with no-slip coating hardness 70 tolerance +/-5 Shore A.

AISI 304 stainless steel base and nut, AISI 303 stainless steel threaded stem:

- **LMP-SST (d - I)**: without no-slip disk.
- **LMP-SST-TR (d - I)**: with thermoplastic elastomer no-slip coating (TPE)
- **LMP-SST-TV (d - I)**: with vulcanised rubber (NBR) with no-slip coating hardness 70 tolerance +/-5 Shore A.

Base, threaded stem and nut in AISI 316L stainless steel:

- **LMP-A4 (d - I)**: without no-slip disk.
- **LMP-A4-TR (d - I)**: with thermoplastic elastomer no-slip coating (TPE)
- **LMP-A4-TV (d - I)**: with vulcanised rubber (NBR) with no-slip coating hardness 70 tolerance +/-5 Shore A.

SET SCREW

AISI 304 stainless steel.

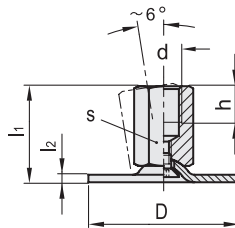
FEATURES

The resistance of the levelling feet to a static load is obviously limited by the permissible load capacity of the rod (steel strength class 500 N/mm²).

The static load values in the table below are the result of laboratory tests in which the load has been applied perpendicularly to the base. Such values have to be considered as purely indicative and must be verified under the specific conditions of use.

Under common working conditions, side or angular loading increases the stress on the stem and reduces its load capacity.

It's the user's responsibility to determine, case by case, whether the product is suitable for the intended use.

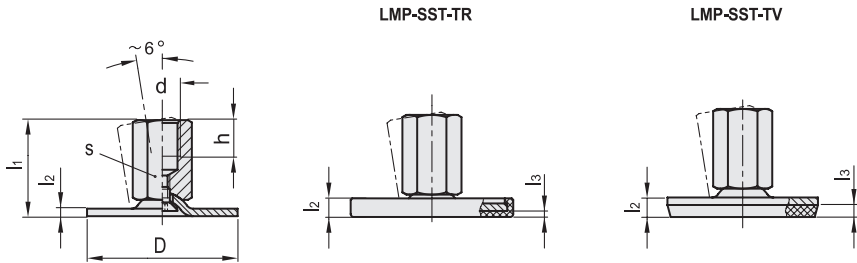


LMP-SST (d)



| Code | Description | D | d | l1 | l2 | h | s | Max. limit static load [N] | ⚖️ |
|--------|----------------|----|-----|----|-----|----|----|----------------------------|-----|
| 404491 | LMP.40-SST-M8 | 40 | M8 | 25 | 2 | 8 | 14 | 8000 | 41 |
| 404492 | LMP.40-SST-M10 | 40 | M10 | 28 | 2 | 10 | 14 | 12000 | 41 |
| 403104 | LMP.40-SST-M12 | 40 | M12 | 31 | 2 | 12 | 17 | 12000 | 60 |
| 404541 | LMP.50-SST-M8 | 50 | M8 | 25 | 2.5 | 8 | 14 | 8000 | 61 |
| 404542 | LMP.50-SST-M10 | 50 | M10 | 28 | 2.5 | 10 | 14 | 14000 | 71 |
| 404590 | LMP.60-SST-M8 | 60 | M8 | 25 | 2.5 | 8 | 14 | 8000 | 81 |
| 404591 | LMP.60-SST-M10 | 60 | M10 | 28 | 2.5 | 10 | 14 | 14000 | 86 |
| 404592 | LMP.60-SST-M12 | 60 | M12 | 32 | 2.5 | 12 | 17 | 16000 | 101 |
| 404644 | LMP.80-SST-M10 | 80 | M10 | 29 | 3 | 10 | 14 | 14000 | 121 |
| 404640 | LMP.80-SST-M12 | 80 | M12 | 32 | 3 | 12 | 17 | 20000 | 141 |
| 404645 | LMP.80-SST-M16 | 80 | M16 | 38 | 3 | 16 | 22 | 20000 | 161 |

Levelling feet and supports



LMP-SST-TR (d)



| Code | Description | D | d | l1 | l2 | l3 | h | s | Max. limit static load [N] | ⚖️ |
|--------|-------------------|----|-----|----|----|-----|----|----|----------------------------|-----|
| 404699 | LMP.40-SST-M8-TR | 43 | M8 | 25 | 5 | 1.5 | 8 | 14 | 8000 | 46 |
| 404700 | LMP.40-SST-M10-TR | 43 | M10 | 28 | 5 | 1.5 | 10 | 14 | 12000 | 46 |
| 404704 | LMP.40-SST-M12-TR | 43 | M12 | 31 | 5 | 1.5 | 12 | 17 | 12000 | 60 |
| 404741 | LMP.50-SST-M8-TR | 54 | M8 | 25 | 6 | 2 | 8 | 14 | 8000 | 61 |
| 404742 | LMP.50-SST-M10-TR | 54 | M10 | 28 | 6 | 2 | 10 | 14 | 14000 | 71 |
| 404790 | LMP.60-SST-M8-TR | 64 | M8 | 25 | 6 | 2 | 8 | 14 | 8000 | 81 |
| 404791 | LMP.60-SST-M10-TR | 64 | M10 | 28 | 6 | 2 | 10 | 14 | 14000 | 86 |
| 404792 | LMP.60-SST-M12-TR | 64 | M12 | 32 | 6 | 2 | 12 | 17 | 16000 | 101 |
| 404844 | LMP.80-SST-M10-TR | 84 | M10 | 29 | 7 | 2 | 10 | 14 | 14000 | 121 |
| 404840 | LMP.80-SST-M12-TR | 84 | M12 | 32 | 7 | 2 | 12 | 17 | 20000 | 141 |
| 404845 | LMP.80-SST-M16-TR | 84 | M16 | 38 | 7 | 2 | 16 | 22 | 20000 | 161 |

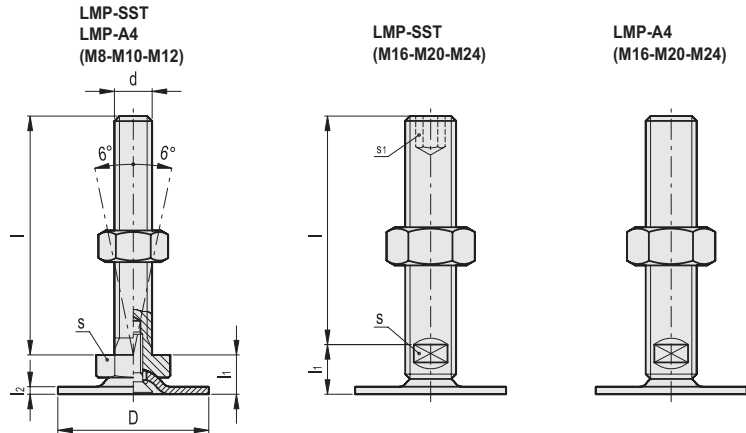
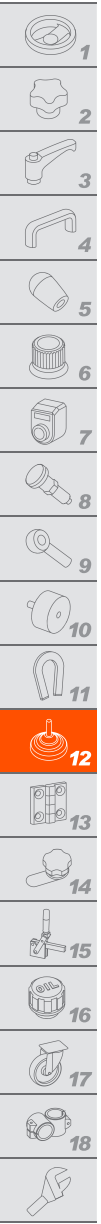
LMP-SST-TV (d)



| Code | Description | D | d | l1 | l2 | l3 | h | s | Max. limit static load [N] | ⚖️ |
|--------|-------------------|----|-----|----|-----|-----|----|----|----------------------------|-----|
| 403501 | LMP.40-SST-M8-TV | 40 | M8 | 25 | 5.5 | 3.5 | 8 | 14 | 8000 | 46 |
| 403502 | LMP.40-SST-M10-TV | 40 | M10 | 28 | 5.5 | 3.5 | 10 | 14 | 12000 | 46 |
| 403500 | LMP.40-SST-M12-TV | 40 | M12 | 31 | 5.5 | 3.5 | 12 | 17 | 12000 | 78 |
| 403521 | LMP.50-SST-M8-TV | 50 | M8 | 25 | 6.5 | 4 | 8 | 14 | 8000 | 61 |
| 403522 | LMP.50-SST-M10-TV | 50 | M10 | 28 | 6.5 | 4 | 10 | 14 | 14000 | 71 |
| 403541 | LMP.60-SST-M8-TV | 60 | M8 | 25 | 7 | 4.5 | 8 | 14 | 8000 | 81 |
| 403542 | LMP.60-SST-M10-TV | 60 | M10 | 28 | 7 | 4.5 | 10 | 14 | 14000 | 56 |
| 403543 | LMP.60-SST-M12-TV | 60 | M12 | 32 | 7 | 4.5 | 12 | 17 | 16000 | 101 |
| 403561 | LMP.80-SST-M10-TV | 80 | M10 | 29 | 8 | 5 | 10 | 14 | 14000 | 121 |
| 403562 | LMP.80-SST-M12-TV | 80 | M12 | 32 | 8 | 5 | 12 | 17 | 20000 | 141 |
| 403563 | LMP.80-SST-M16-TV | 80 | M16 | 38 | 8 | 5 | 16 | 22 | 20000 | 161 |



Levelling feet and supports



LMP-SST (d - l)

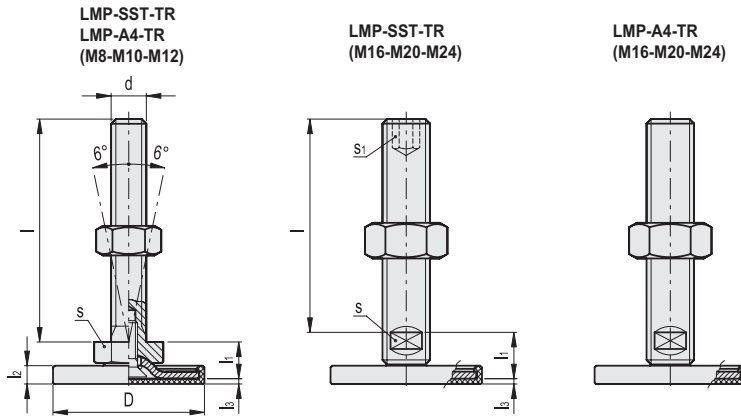
LMP-A4 (d - l)

| Code | Description | Code | Description | D | d | l | l1 | l2 | s | s1# | Max. limit static load [N] | ⚖️ |
|--------|--------------------|--------|-------------------|----|-----|-----|----|-----|----|-----|----------------------------|-----|
| 404501 | LMP.40-SST-M8x40 | 395061 | LMP.40-A4-M8x40 | 40 | M8 | 40 | 11 | 2 | 17 | - | 8000 | 41 |
| 404502 | LMP.40-SST-M8x50 | 395065 | LMP.40-A4-M8x50 | 40 | M8 | 50 | 11 | 2 | 17 | - | 8000 | 51 |
| 404503 | LMP.40-SST-M8x63 | 395069 | LMP.40-A4-M8x63 | 40 | M8 | 63 | 11 | 2 | 17 | - | 8000 | 56 |
| 404511 | LMP.40-SST-M10x50 | 395001 | LMP.40-A4-M10x50 | 40 | M10 | 50 | 11 | 2 | 17 | - | 12000 | 61 |
| 404513 | LMP.40-SST-M10x60 | 395005 | LMP.40-A4-M10x60 | 40 | M10 | 60 | 11 | 2 | 17 | - | 12000 | 71 |
| 404515 | LMP.40-SST-M10x80 | 395009 | LMP.40-A4-M10x80 | 40 | M10 | 80 | 11 | 2 | 17 | - | 12000 | 81 |
| 404517 | LMP.40-SST-M10x100 | 395013 | LMP.40-A4-M10x100 | 40 | M10 | 100 | 11 | 2 | 17 | - | 12000 | 101 |
| 404521 | LMP.40-SST-M12x60 | 395031 | LMP.40-A4-M12x60 | 40 | M12 | 60 | 11 | 2 | 17 | - | 12000 | 91 |
| 404523 | LMP.40-SST-M12x80 | 395035 | LMP.40-A4-M12x80 | 40 | M12 | 80 | 11 | 2 | 17 | - | 12000 | 111 |
| 404525 | LMP.40-SST-M12x100 | 395039 | LMP.40-A4-M12x100 | 40 | M12 | 100 | 11 | 2 | 17 | - | 12000 | 131 |
| 404527 | LMP.40-SST-M12x125 | 395043 | LMP.40-A4-M12x125 | 40 | M12 | 125 | 11 | 2 | 17 | - | 12000 | 152 |
| 404531 | LMP.40-SST-M16x75 | 395091 | LMP.40-A4-M16x75 | 40 | M16 | 75 | 17 | 2 | 12 | 8 | 12000 | 162 |
| 404533 | LMP.40-SST-M16x100 | 395094 | LMP.40-A4-M16x100 | 40 | M16 | 100 | 17 | 2 | 12 | 8 | 12000 | 177 |
| 404535 | LMP.40-SST-M16x125 | 395097 | LMP.40-A4-M16x125 | 40 | M16 | 125 | 17 | 2 | 12 | 8 | 12000 | 192 |
| 404537 | LMP.40-SST-M16x150 | 395100 | LMP.40-A4-M16x150 | 40 | M16 | 150 | 17 | 2 | 12 | 8 | 12000 | 217 |
| 404539 | LMP.40-SST-M16x200 | 395103 | LMP.40-A4-M16x200 | 40 | M16 | 200 | 17 | 2 | 12 | 8 | 12000 | 303 |
| 404551 | LMP.50-SST-M8x40 | 395201 | LMP.50-A4-M8x40 | 50 | M8 | 40 | 11 | 2.5 | 17 | - | 8000 | 71 |
| 404552 | LMP.50-SST-M8x50 | 395205 | LMP.50-A4-M8x50 | 50 | M8 | 50 | 11 | 2.5 | 17 | - | 8000 | 122 |
| 404553 | LMP.50-SST-M8x63 | 395209 | LMP.50-A4-M8x63 | 50 | M8 | 63 | 11 | 2.5 | 17 | - | 8000 | 76 |
| 404561 | LMP.50-SST-M10x50 | 395231 | LMP.50-A4-M10x50 | 50 | M10 | 50 | 11 | 2.5 | 17 | - | 14000 | 79 |
| 404563 | LMP.50-SST-M10x60 | 395235 | LMP.50-A4-M10x60 | 50 | M10 | 60 | 11 | 2.5 | 17 | - | 14000 | 89 |
| 404565 | LMP.50-SST-M10x80 | 395239 | LMP.50-A4-M10x80 | 50 | M10 | 80 | 11 | 2.5 | 17 | - | 14000 | 101 |
| 404567 | LMP.50-SST-M10x100 | 395243 | LMP.50-A4-M10x100 | 50 | M10 | 100 | 11 | 2.5 | 17 | - | 14000 | 109 |
| 404571 | LMP.50-SST-M12x60 | 395261 | LMP.50-A4-M12x60 | 50 | M12 | 60 | 11 | 2.5 | 17 | - | 14000 | 105 |
| 404573 | LMP.50-SST-M12x80 | 395265 | LMP.50-A4-M12x80 | 50 | M12 | 80 | 11 | 2.5 | 17 | - | 14000 | 115 |
| 404575 | LMP.50-SST-M12x100 | 395269 | LMP.50-A4-M12x100 | 50 | M12 | 100 | 11 | 2.5 | 17 | - | 14000 | 131 |
| 404577 | LMP.50-SST-M12x125 | 395273 | LMP.50-A4-M12x125 | 50 | M12 | 125 | 11 | 2.5 | 17 | - | 14000 | 157 |
| 404581 | LMP.50-SST-M16x75 | 395291 | LMP.50-A4-M16x75 | 50 | M16 | 75 | 17 | 2.5 | 12 | 8 | 14000 | 177 |
| 404583 | LMP.50-SST-M16x100 | 395295 | LMP.50-A4-M16x100 | 50 | M16 | 100 | 17 | 2.5 | 12 | 8 | 14000 | 210 |
| 404585 | LMP.50-SST-M16x125 | 395299 | LMP.50-A4-M16x125 | 50 | M16 | 125 | 17 | 2.5 | 12 | 8 | 14000 | 245 |
| 404587 | LMP.50-SST-M16x150 | 395303 | LMP.50-A4-M16x150 | 50 | M16 | 150 | 17 | 2.5 | 12 | 8 | 14000 | 280 |
| 404589 | LMP.50-SST-M16x200 | 395307 | LMP.50-A4-M16x200 | 50 | M16 | 200 | 17 | 2.5 | 12 | 8 | 14000 | 322 |
| 404601 | LMP.60-SST-M8x40 | 395401 | LMP.60-A4-M8x40 | 60 | M8 | 40 | 11 | 2.5 | 17 | - | 8000 | 89 |
| 404602 | LMP.60-SST-M8x50 | 395405 | LMP.60-A4-M8x50 | 60 | M8 | 50 | 11 | 2.5 | 17 | - | 8000 | 93 |
| 404603 | LMP.60-SST-M8x63 | 395409 | LMP.60-A4-M8x63 | 60 | M8 | 63 | 11 | 2.5 | 17 | - | 8000 | 98 |
| 404611 | LMP.60-SST-M10x50 | 395431 | LMP.60-A4-M10x50 | 60 | M10 | 50 | 11 | 2.5 | 17 | - | 14000 | 102 |
| 404613 | LMP.60-SST-M10x60 | 395435 | LMP.60-A4-M10x60 | 60 | M10 | 60 | 11 | 2.5 | 17 | - | 14000 | 107 |
| 404615 | LMP.60-SST-M10x80 | 395439 | LMP.60-A4-M10x80 | 60 | M10 | 80 | 11 | 2.5 | 17 | - | 14000 | 116 |
| 404617 | LMP.60-SST-M10x100 | 395443 | LMP.60-A4-M10x100 | 60 | M10 | 100 | 11 | 2.5 | 17 | - | 14000 | 132 |
| 404621 | LMP.60-SST-M12x60 | 395461 | LMP.60-A4-M12x60 | 60 | M12 | 60 | 11 | 2.5 | 17 | - | 16000 | 125 |
| 404623 | LMP.60-SST-M12x80 | 395465 | LMP.60-A4-M12x80 | 60 | M12 | 80 | 11 | 2.5 | 17 | - | 16000 | 138 |
| 404625 | LMP.60-SST-M12x100 | 395469 | LMP.60-A4-M12x100 | 60 | M12 | 100 | 11 | 2.5 | 17 | - | 16000 | 153 |
| 404627 | LMP.60-SST-M12x125 | 395473 | LMP.60-A4-M12x125 | 60 | M12 | 125 | 11 | 2.5 | 17 | - | 16000 | 169 |
| 404631 | LMP.60-SST-M16x75 | 395491 | LMP.60-A4-M16x75 | 60 | M16 | 75 | 17 | 2.5 | 12 | 8 | 16000 | 195 |
| 404633 | LMP.60-SST-M16x100 | 395495 | LMP.60-A4-M16x100 | 60 | M16 | 100 | 17 | 2.5 | 12 | 8 | 16000 | 220 |
| 404635 | LMP.60-SST-M16x125 | 395499 | LMP.60-A4-M16x125 | 60 | M16 | 125 | 17 | 2.5 | 12 | 8 | 16000 | 261 |
| 404637 | LMP.60-SST-M16x150 | 395503 | LMP.60-A4-M16x150 | 60 | M16 | 150 | 17 | 2.5 | 12 | 8 | 16000 | 292 |
| 404639 | LMP.60-SST-M16x200 | 395507 | LMP.60-A4-M16x200 | 60 | M16 | 200 | 17 | 2.5 | 12 | 8 | 16000 | 363 |

Levelling feet and supports



| LMP-SST (d - l) | | LMP-A4 (d - l) | | D | d | l | l1 | l2 | s | s# | Max. limit static load [N] | ⚖️ |
|-----------------|--------------------|----------------|-------------------|----|-----|-----|----|----|----|----|----------------------------|-----|
| 404641 | LMP.80-SST-M8x40 | 395601 | LMP.80-A4-M8x40 | 80 | M8 | 40 | 12 | 3 | 17 | - | 8000 | 152 |
| 404642 | LMP.80-SST-M8x50 | 395605 | LMP.80-A4-M8x50 | 80 | M8 | 50 | 12 | 3 | 17 | - | 8000 | 156 |
| 404643 | LMP.80-SST-M8x63 | 395609 | LMP.80-A4-M8x63 | 80 | M8 | 63 | 12 | 3 | 17 | - | 8000 | 162 |
| 404651 | LMP.80-SST-M10x50 | 395631 | LMP.80-A4-M10x50 | 80 | M10 | 50 | 12 | 3 | 17 | - | 14000 | 164 |
| 404653 | LMP.80-SST-M10x60 | 395635 | LMP.80-A4-M10x60 | 80 | M10 | 60 | 12 | 3 | 17 | - | 14000 | 177 |
| 404655 | LMP.80-SST-M10x80 | 395639 | LMP.80-A4-M10x80 | 80 | M10 | 80 | 12 | 3 | 17 | - | 14000 | 182 |
| 404657 | LMP.80-SST-M10x100 | 395643 | LMP.80-A4-M10x100 | 80 | M10 | 100 | 12 | 3 | 17 | - | 14000 | 202 |
| 404661 | LMP.80-SST-M12x60 | 395661 | LMP.80-A4-M12x60 | 80 | M12 | 60 | 12 | 3 | 17 | - | 20000 | 185 |
| 404663 | LMP.80-SST-M12x80 | 395665 | LMP.80-A4-M12x80 | 80 | M12 | 80 | 12 | 3 | 17 | - | 20000 | 210 |
| 404665 | LMP.80-SST-M12x100 | 395669 | LMP.80-A4-M12x100 | 80 | M12 | 100 | 12 | 3 | 17 | - | 20000 | 220 |
| 404667 | LMP.80-SST-M12x125 | 395673 | LMP.80-A4-M12x125 | 80 | M12 | 125 | 12 | 3 | 17 | - | 20000 | 235 |
| 404671 | LMP.80-SST-M16x75 | 395691 | LMP.80-A4-M16x75 | 80 | M16 | 75 | 18 | 3 | 12 | 8 | 20000 | 255 |
| 404673 | LMP.80-SST-M16x100 | 395695 | LMP.80-A4-M16x100 | 80 | M16 | 100 | 18 | 3 | 12 | 8 | 20000 | 280 |
| 404675 | LMP.80-SST-M16x125 | 395699 | LMP.80-A4-M16x125 | 80 | M16 | 125 | 18 | 3 | 12 | 8 | 20000 | 292 |
| 404677 | LMP.80-SST-M16x150 | 395703 | LMP.80-A4-M16x150 | 80 | M16 | 150 | 18 | 3 | 12 | 8 | 20000 | 364 |
| 404679 | LMP.80-SST-M16x200 | 395707 | LMP.80-A4-M16x200 | 80 | M16 | 200 | 18 | 3 | 12 | 8 | 20000 | 422 |
| 404681 | LMP.80-SST-M20x75 | 395731 | LMP.80-A4-M20x75 | 80 | M20 | 75 | 19 | 3 | 15 | 10 | 20000 | 360 |
| 404683 | LMP.80-SST-M20x100 | 395735 | LMP.80-A4-M20x100 | 80 | M20 | 100 | 19 | 3 | 15 | 10 | 20000 | 389 |
| 404685 | LMP.80-SST-M20x125 | 395739 | LMP.80-A4-M20x125 | 80 | M20 | 125 | 19 | 3 | 15 | 10 | 20000 | 404 |
| 404687 | LMP.80-SST-M20x150 | 395743 | LMP.80-A4-M20x150 | 80 | M20 | 150 | 19 | 3 | 15 | 10 | 20000 | 463 |
| 404689 | LMP.80-SST-M20x200 | 395747 | LMP.80-A4-M20x200 | 80 | M20 | 200 | 19 | 3 | 15 | 10 | 20000 | 504 |
| 404693 | LMP.80-SST-M24x100 | 395771 | LMP.80-A4-M24x100 | 80 | M24 | 100 | 22 | 3 | 19 | 12 | 22000 | 505 |
| 404695 | LMP.80-SST-M24x125 | 395775 | LMP.80-A4-M24x125 | 80 | M24 | 125 | 22 | 3 | 19 | 12 | 22000 | 627 |
| 404697 | LMP.80-SST-M24x150 | 395779 | LMP.80-A4-M24x150 | 80 | M24 | 150 | 22 | 3 | 19 | 12 | 22000 | 680 |
| 404698 | LMP.80-SST-M24x200 | 395783 | LMP.80-A4-M24x200 | 80 | M24 | 200 | 22 | 3 | 19 | 12 | 22000 | 768 |



| LMP-SST-TR (d - l) | | LMP-A4-TR (d - l) | | D | d | l | l1 | l2 | l3 | s | s# | Max. limit static load [N] | ⚖️ |
|--------------------|-----------------------|-------------------|----------------------|----|-----|-----|----|----|-----|----|----|----------------------------|-----|
| 404701 | LMP.40-SST-M8x40-TR | 395063 | LMP.40-A4-M8x40-TR | 43 | M8 | 40 | 11 | 5 | 1.5 | 17 | - | 8000 | 41 |
| 404702 | LMP.40-SST-M8x50-TR | 395067 | LMP.40-A4-M8x50-TR | 43 | M8 | 50 | 11 | 5 | 1.5 | 17 | - | 8000 | 46 |
| 404703 | LMP.40-SST-M8x63-TR | 395071 | LMP.40-A4-M8x63-TR | 43 | M8 | 63 | 11 | 5 | 1.5 | 17 | - | 8000 | 56 |
| 404711 | LMP.40-SST-M10x50-TR | 395003 | LMP.40-A4-M10x50-TR | 43 | M10 | 50 | 11 | 5 | 1.5 | 17 | - | 12000 | 61 |
| 404713 | LMP.40-SST-M10x60-TR | 395007 | LMP.40-A4-M10x60-TR | 43 | M10 | 60 | 11 | 5 | 1.5 | 17 | - | 12000 | 71 |
| 404715 | LMP.40-SST-M10x80-TR | 395011 | LMP.40-A4-M10x80-TR | 43 | M10 | 80 | 11 | 5 | 1.5 | 17 | - | 12000 | 81 |
| 404717 | LMP.40-SST-M10x100-TR | 395015 | LMP.40-A4-M10x100-TR | 43 | M10 | 100 | 11 | 5 | 1.5 | 17 | - | 12000 | 101 |
| 404721 | LMP.40-SST-M12x60-TR | 395033 | LMP.40-A4-M12x60-TR | 43 | M12 | 60 | 11 | 5 | 1.5 | 17 | - | 12000 | 91 |
| 404723 | LMP.40-SST-M12x80-TR | 395037 | LMP.40-A4-M12x80-TR | 43 | M12 | 80 | 11 | 5 | 1.5 | 17 | - | 12000 | 102 |
| 404725 | LMP.40-SST-M12x100-TR | 395041 | LMP.40-A4-M12x100-TR | 43 | M12 | 100 | 11 | 5 | 1.5 | 17 | - | 12000 | 120 |
| 404727 | LMP.40-SST-M12x125-TR | 395045 | LMP.40-A4-M12x125-TR | 43 | M12 | 125 | 11 | 5 | 1.5 | 17 | - | 12000 | 142 |
| 404731 | LMP.40-SST-M16x75-TR | 395092 | LMP.40-A4-M16x75-TR | 43 | M16 | 75 | 17 | 5 | 1.5 | 12 | 8 | 12000 | 155 |
| 404733 | LMP.40-SST-M16x100-TR | 395095 | LMP.40-A4-M16x100-TR | 43 | M16 | 100 | 17 | 5 | 1.5 | 12 | 8 | 12000 | 180 |
| 404735 | LMP.40-SST-M16x125-TR | 395098 | LMP.40-A4-M16x125-TR | 43 | M16 | 125 | 17 | 5 | 1.5 | 12 | 8 | 12000 | 205 |
| 404737 | LMP.40-SST-M16x150-TR | 395101 | LMP.40-A4-M16x150-TR | 43 | M16 | 150 | 17 | 5 | 1.5 | 12 | 8 | 12000 | 255 |
| 404739 | LMP.40-SST-M16x200-TR | 395104 | LMP.40-A4-M16x200-TR | 43 | M16 | 200 | 17 | 5 | 1.5 | 12 | 8 | 12000 | 322 |

only for LMP-SST



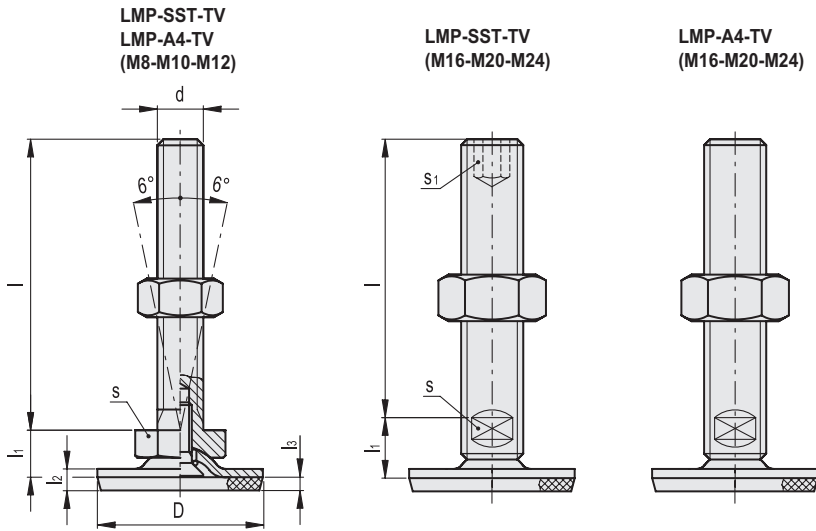
LMP-SST-TR (d - l)

LMP-A4-TR (d - l)

| Code | Description | Code | Description | D | d | l | l1 | l2 | l3 | s | s1# | Max. limit static load [N] | ⚖️ |
|--------|-----------------------|--------|----------------------|----|-----|-----|----|----|----|----|-----|----------------------------|-----|
| 404751 | LMP.50-SST-M8x40-TR | 395203 | LMP.50-A4-M8x40-TR | 54 | M8 | 40 | 11 | 6 | 2 | 17 | - | 8000 | 71 |
| 404752 | LMP.50-SST-M8x50-TR | 395207 | LMP.50-A4-M8x50-TR | 54 | M8 | 50 | 11 | 6 | 2 | 17 | - | 8000 | 79 |
| 404753 | LMP.50-SST-M8x63-TR | 395211 | LMP.50-A4-M8x63-TR | 54 | M8 | 63 | 11 | 6 | 2 | 17 | - | 8000 | 77 |
| 404761 | LMP.50-SST-M10x50-TR | 395233 | LMP.50-A4-M10x50-TR | 54 | M10 | 50 | 11 | 6 | 2 | 17 | - | 14000 | 101 |
| 404763 | LMP.50-SST-M10x60-TR | 395237 | LMP.50-A4-M10x60-TR | 54 | M10 | 60 | 11 | 6 | 2 | 17 | - | 14000 | 112 |
| 404765 | LMP.50-SST-M10x80-TR | 395241 | LMP.50-A4-M10x80-TR | 54 | M10 | 80 | 11 | 6 | 2 | 17 | - | 14000 | 122 |
| 404767 | LMP.50-SST-M10x100-TR | 395245 | LMP.50-A4-M10x100-TR | 54 | M10 | 100 | 11 | 6 | 2 | 17 | - | 14000 | 142 |
| 404771 | LMP.50-SST-M12x60-TR | 395263 | LMP.50-A4-M12x60-TR | 54 | M12 | 60 | 11 | 6 | 2 | 17 | - | 14000 | 122 |
| 404773 | LMP.50-SST-M12x80-TR | 395267 | LMP.50-A4-M12x80-TR | 54 | M12 | 80 | 11 | 6 | 2 | 17 | - | 14000 | 132 |
| 404775 | LMP.50-SST-M12x100-TR | 395271 | LMP.50-A4-M12x100-TR | 54 | M12 | 100 | 11 | 6 | 2 | 17 | - | 14000 | 143 |
| 404777 | LMP.50-SST-M12x125-TR | 395275 | LMP.50-A4-M12x125-TR | 54 | M12 | 125 | 11 | 6 | 2 | 17 | - | 14000 | 162 |
| 404781 | LMP.50-SST-M16x75-TR | 395293 | LMP.50-A4-M16x75-TR | 54 | M16 | 75 | 17 | 6 | 2 | 12 | 8 | 14000 | 180 |
| 404783 | LMP.50-SST-M16x100-TR | 395297 | LMP.50-A4-M16x100-TR | 54 | M16 | 100 | 17 | 6 | 2 | 12 | 8 | 14000 | 222 |
| 404785 | LMP.50-SST-M16x125-TR | 395301 | LMP.50-A4-M16x125-TR | 54 | M16 | 125 | 17 | 6 | 2 | 12 | 8 | 14000 | 253 |
| 404787 | LMP.50-SST-M16x150-TR | 395305 | LMP.50-A4-M16x150-TR | 54 | M16 | 150 | 17 | 6 | 2 | 12 | 8 | 14000 | 282 |
| 404789 | LMP.50-SST-M16x200-TR | 395309 | LMP.50-A4-M16x200-TR | 54 | M16 | 200 | 17 | 6 | 2 | 12 | 8 | 14000 | 400 |
| 404801 | LMP.60-SST-M8x40-TR | 395403 | LMP.60-A4-M8x40-TR | 64 | M8 | 40 | 11 | 6 | 2 | 17 | - | 8000 | 81 |
| 404802 | LMP.60-SST-M8x50-TR | 395407 | LMP.60-A4-M8x50-TR | 64 | M8 | 50 | 11 | 6 | 2 | 17 | - | 8000 | 90 |
| 404803 | LMP.60-SST-M8x63-TR | 395411 | LMP.60-A4-M8x63-TR | 64 | M8 | 63 | 11 | 6 | 2 | 17 | - | 8000 | 101 |
| 404811 | LMP.60-SST-M10x50-TR | 395433 | LMP.60-A4-M10x50-TR | 64 | M10 | 50 | 11 | 6 | 2 | 17 | - | 14000 | 120 |
| 404813 | LMP.60-SST-M10x60-TR | 395437 | LMP.60-A4-M10x60-TR | 64 | M10 | 60 | 11 | 6 | 2 | 17 | - | 14000 | 132 |
| 404815 | LMP.60-SST-M10x80-TR | 395441 | LMP.60-A4-M10x80-TR | 64 | M10 | 80 | 11 | 6 | 2 | 17 | - | 14000 | 152 |
| 404817 | LMP.60-SST-M10x100-TR | 395445 | LMP.60-A4-M10x100-TR | 64 | M10 | 100 | 11 | 6 | 2 | 17 | - | 14000 | 182 |
| 404821 | LMP.60-SST-M12x60-TR | 395463 | LMP.60-A4-M12x60-TR | 64 | M12 | 60 | 11 | 6 | 2 | 17 | - | 16000 | 122 |
| 404823 | LMP.60-SST-M12x80-TR | 395467 | LMP.60-A4-M12x80-TR | 64 | M12 | 80 | 11 | 6 | 2 | 17 | - | 16000 | 152 |
| 404825 | LMP.60-SST-M12x100-TR | 395471 | LMP.60-A4-M12x100-TR | 64 | M12 | 100 | 11 | 6 | 2 | 17 | - | 16000 | 182 |
| 404827 | LMP.60-SST-M12x125-TR | 395475 | LMP.60-A4-M12x125-TR | 64 | M12 | 125 | 11 | 6 | 2 | 17 | - | 16000 | 202 |
| 404831 | LMP.60-SST-M16x75-TR | 395493 | LMP.60-A4-M16x75-TR | 64 | M16 | 75 | 17 | 6 | 2 | 12 | 8 | 16000 | 212 |
| 404833 | LMP.60-SST-M16x100-TR | 395497 | LMP.60-A4-M16x100-TR | 64 | M16 | 100 | 17 | 6 | 2 | 12 | 8 | 16000 | 232 |
| 404835 | LMP.60-SST-M16x125-TR | 395501 | LMP.60-A4-M16x125-TR | 64 | M16 | 125 | 17 | 6 | 2 | 12 | 8 | 16000 | 253 |
| 404837 | LMP.60-SST-M16x150-TR | 395505 | LMP.60-A4-M16x150-TR | 64 | M16 | 150 | 17 | 6 | 2 | 12 | 8 | 16000 | 273 |
| 404839 | LMP.60-SST-M16x200-TR | 395509 | LMP.60-A4-M16x200-TR | 64 | M16 | 200 | 17 | 6 | 2 | 12 | 8 | 16000 | 357 |
| 404841 | LMP.80-SST-M8x40-TR | 395603 | LMP.80-A4-M8x40-TR | 84 | M8 | 40 | 12 | 7 | 2 | 17 | - | 8000 | 162 |
| 404842 | LMP.80-SST-M8x50-TR | 395607 | LMP.80-A4-M8x50-TR | 84 | M8 | 50 | 12 | 7 | 2 | 17 | - | 8000 | 162 |
| 404843 | LMP.80-SST-M8x63-TR | 395611 | LMP.80-A4-M8x63-TR | 84 | M8 | 63 | 12 | 7 | 2 | 17 | - | 8000 | 162 |
| 404851 | LMP.80-SST-M10x50-TR | 395633 | LMP.80-A4-M10x50-TR | 84 | M10 | 50 | 12 | 7 | 2 | 17 | - | 14000 | 162 |
| 404853 | LMP.80-SST-M10x60-TR | 395637 | LMP.80-A4-M10x60-TR | 84 | M10 | 60 | 12 | 7 | 2 | 17 | - | 14000 | 182 |
| 404855 | LMP.80-SST-M10x80-TR | 395641 | LMP.80-A4-M10x80-TR | 84 | M10 | 80 | 12 | 7 | 2 | 17 | - | 14000 | 202 |
| 404857 | LMP.80-SST-M10x100-TR | 395645 | LMP.80-A4-M10x100-TR | 84 | M10 | 100 | 12 | 7 | 2 | 17 | - | 14000 | 222 |
| 404861 | LMP.80-SST-M12x60-TR | 395663 | LMP.80-A4-M12x60-TR | 84 | M12 | 60 | 12 | 7 | 2 | 17 | - | 20000 | 202 |
| 404863 | LMP.80-SST-M12x80-TR | 395667 | LMP.80-A4-M12x80-TR | 84 | M12 | 80 | 12 | 7 | 2 | 17 | - | 20000 | 212 |
| 404865 | LMP.80-SST-M12x100-TR | 395671 | LMP.80-A4-M12x100-TR | 84 | M12 | 100 | 12 | 7 | 2 | 17 | - | 20000 | 232 |
| 404867 | LMP.80-SST-M12x125-TR | 395675 | LMP.80-A4-M12x125-TR | 84 | M12 | 125 | 12 | 7 | 2 | 17 | - | 20000 | 242 |
| 404871 | LMP.80-SST-M16x75-TR | 395693 | LMP.80-A4-M16x75-TR | 84 | M16 | 75 | 18 | 7 | 2 | 12 | 8 | 20000 | 283 |
| 404873 | LMP.80-SST-M16x100-TR | 395697 | LMP.80-A4-M16x100-TR | 84 | M16 | 100 | 18 | 7 | 2 | 12 | 8 | 20000 | 303 |
| 404875 | LMP.80-SST-M16x125-TR | 395701 | LMP.80-A4-M16x125-TR | 84 | M16 | 125 | 18 | 7 | 2 | 12 | 8 | 20000 | 364 |
| 404877 | LMP.80-SST-M16x150-TR | 395705 | LMP.80-A4-M16x150-TR | 84 | M16 | 150 | 18 | 7 | 2 | 12 | 8 | 20000 | 384 |
| 404879 | LMP.80-SST-M16x200-TR | 395709 | LMP.80-A4-M16x200-TR | 84 | M16 | 200 | 18 | 7 | 2 | 12 | 8 | 20000 | 403 |
| 404881 | LMP.80-SST-M20x75-TR | 395733 | LMP.80-A4-M20x75-TR | 84 | M20 | 75 | 19 | 7 | 2 | 15 | 10 | 20000 | 364 |
| 404883 | LMP.80-SST-M20x100-TR | 395737 | LMP.80-A4-M20x100-TR | 84 | M20 | 100 | 19 | 7 | 2 | 15 | 10 | 20000 | 394 |
| 404885 | LMP.80-SST-M20x125-TR | 395741 | LMP.80-A4-M20x125-TR | 84 | M20 | 125 | 19 | 7 | 2 | 15 | 10 | 20000 | 414 |
| 404887 | LMP.80-SST-M20x150-TR | 395745 | LMP.80-A4-M20x150-TR | 84 | M20 | 150 | 19 | 7 | 2 | 15 | 10 | 20000 | 444 |
| 404889 | LMP.80-SST-M20x200-TR | 395749 | LMP.80-A4-M20x200-TR | 84 | M20 | 200 | 19 | 7 | 2 | 15 | 10 | 20000 | 599 |
| 404893 | LMP.80-SST-M24x100-TR | 395773 | LMP.80-A4-M24x100-TR | 84 | M24 | 100 | 22 | 7 | 2 | 19 | 12 | 22000 | 566 |
| 404895 | LMP.80-SST-M24x125-TR | 395777 | LMP.80-A4-M24x125-TR | 84 | M24 | 125 | 22 | 7 | 2 | 19 | 12 | 22000 | 687 |
| 404897 | LMP.80-SST-M24x150-TR | 395781 | LMP.80-A4-M24x150-TR | 84 | M24 | 150 | 22 | 7 | 2 | 19 | 12 | 22000 | 704 |
| 404898 | LMP.80-SST-M24x200-TR | 395785 | LMP.80-A4-M24x200-TR | 84 | M24 | 200 | 22 | 7 | 2 | 19 | 12 | 22000 | 768 |

Levelling feet and supports

6 # only for LMP-SST



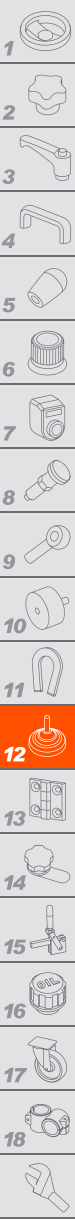
LMP-SST-TV (d - l)

LMP-A4-TV (d - l)



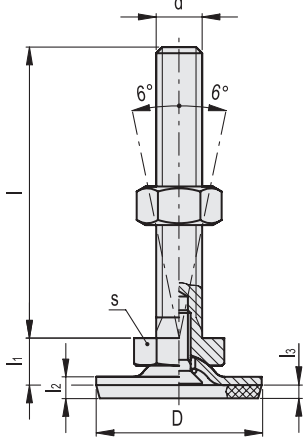
| Code | Description | Code | Description | D | d | l | l1 | l2 | l3 | s | s# | Max. limit static load [N] | |
|--------|-----------------------|--------|----------------------|----|-----|-----|----|-----|-----|----|----|----------------------------|-----|
| 403503 | LMP.40-SST-M8x40-TV | 395064 | LMP.40-A4-M8x40-TV | 40 | M8 | 40 | 11 | 5.5 | 3.5 | 17 | - | 8000 | 41 |
| 403505 | LMP.40-SST-M8x63-TV | 395068 | LMP.40-A4-M8x50-TV | 40 | M8 | 50 | 11 | 5.5 | 3.5 | 17 | - | 8000 | 46 |
| 403504 | LMP.40-SST-M8x50-TV | 395072 | LMP.40-A4-M8x63-TV | 40 | M8 | 63 | 11 | 5.5 | 3.5 | 17 | - | 8000 | 56 |
| 403506 | LMP.40-SST-M10x50-TV | 395004 | LMP.40-A4-M10x50-TV | 40 | M10 | 50 | 11 | 5.5 | 3.5 | 17 | - | 12000 | 61 |
| 403507 | LMP.40-SST-M10x60-TV | 395008 | LMP.40-A4-M10x60-TV | 40 | M10 | 60 | 11 | 5.5 | 3.5 | 17 | - | 12000 | 71 |
| 403508 | LMP.40-SST-M10x80-TV | 395012 | LMP.40-A4-M10x80-TV | 40 | M10 | 80 | 11 | 5.5 | 3.5 | 17 | - | 12000 | 81 |
| 403509 | LMP.40-SST-M10x100-TV | 395016 | LMP.40-A4-M10x100-TV | 40 | M10 | 100 | 11 | 5.5 | 3.5 | 17 | - | 12000 | 101 |
| 403510 | LMP.40-SST-M12x60-TV | 395034 | LMP.40-A4-M12x60-TV | 40 | M12 | 60 | 11 | 5.5 | 3.5 | 17 | - | 12000 | 91 |
| 403511 | LMP.40-SST-M12x80-TV | 395038 | LMP.40-A4-M12x80-TV | 40 | M12 | 80 | 11 | 5.5 | 3.5 | 17 | - | 12000 | 102 |
| 403512 | LMP.40-SST-M12x100-TV | 395042 | LMP.40-A4-M12x100-TV | 40 | M12 | 100 | 11 | 5.5 | 3.5 | 17 | - | 12000 | 120 |
| 403513 | LMP.40-SST-M12x125-TV | 395046 | LMP.40-A4-M12x125-TV | 40 | M12 | 125 | 11 | 5.5 | 3.5 | 17 | - | 12000 | 142 |
| 403514 | LMP.40-SST-M16x75-TV | 395093 | LMP.40-A4-M16x75-TV | 40 | M16 | 75 | 17 | 5.5 | 3.5 | 12 | 8 | 12000 | 155 |
| 403515 | LMP.40-SST-M16x100-TV | 395096 | LMP.40-A4-M16x100-TV | 40 | M16 | 100 | 17 | 5.5 | 3.5 | 12 | 8 | 12000 | 180 |
| 403516 | LMP.40-SST-M16x125-TV | 395099 | LMP.40-A4-M16x125-TV | 40 | M16 | 125 | 17 | 5.5 | 3.5 | 12 | 8 | 12000 | 205 |
| 403517 | LMP.40-SST-M16x150-TV | 395102 | LMP.40-A4-M16x150-TV | 40 | M16 | 150 | 17 | 5.5 | 3.5 | 12 | 8 | 12000 | 255 |
| 403518 | LMP.40-SST-M16x200-TV | 395105 | LMP.40-A4-M16x200-TV | 40 | M16 | 200 | 17 | 5.5 | 3.5 | 12 | 8 | 12000 | 322 |
| 403523 | LMP.50-SST-M8x40-TV | 395204 | LMP.50-A4-M8x40-TV | 50 | M8 | 40 | 11 | 6.5 | 4 | 17 | - | 8000 | 71 |
| 403524 | LMP.50-SST-M8x50-TV | 395208 | LMP.50-A4-M8x50-TV | 50 | M8 | 50 | 11 | 6.5 | 4 | 17 | - | 8000 | 77 |
| 403525 | LMP.50-SST-M8x63-TV | 395212 | LMP.50-A4-M8x63-TV | 50 | M8 | 63 | 11 | 6.5 | 4 | 17 | - | 8000 | 79 |
| 403526 | LMP.50-SST-M10x50-TV | 395234 | LMP.50-A4-M10x50-TV | 50 | M10 | 50 | 11 | 6.5 | 4 | 17 | - | 14000 | 101 |
| 403527 | LMP.50-SST-M10x60-TV | 395238 | LMP.50-A4-M10x60-TV | 50 | M10 | 60 | 11 | 6.5 | 4 | 17 | - | 14000 | 112 |
| 403528 | LMP.50-SST-M10x80-TV | 395242 | LMP.50-A4-M10x80-TV | 50 | M10 | 80 | 11 | 6.5 | 4 | 17 | - | 14000 | 122 |
| 403529 | LMP.50-SST-M10x100-TV | 395246 | LMP.50-A4-M10x100-TV | 50 | M10 | 100 | 11 | 6.5 | 4 | 17 | - | 14000 | 142 |
| 403530 | LMP.50-SST-M12x60-TV | 395264 | LMP.50-A4-M12x60-TV | 50 | M12 | 60 | 11 | 6.5 | 4 | 17 | - | 14000 | 122 |
| 403531 | LMP.50-SST-M12x80-TV | 395268 | LMP.50-A4-M12x80-TV | 50 | M12 | 80 | 11 | 6.5 | 4 | 17 | - | 14000 | 132 |
| 403532 | LMP.50-SST-M12x100-TV | 395272 | LMP.50-A4-M12x100-TV | 50 | M12 | 100 | 11 | 6.5 | 4 | 17 | - | 14000 | 143 |
| 403533 | LMP.50-SST-M12x125-TV | 395276 | LMP.50-A4-M12x125-TV | 50 | M12 | 125 | 11 | 6.5 | 4 | 17 | - | 14000 | 162 |
| 403534 | LMP.50-SST-M16x75-TV | 395294 | LMP.50-A4-M16x75-TV | 50 | M16 | 75 | 17 | 6.5 | 4 | 12 | 8 | 14000 | 180 |
| 403535 | LMP.50-SST-M16x100-TV | 395298 | LMP.50-A4-M16x100-TV | 50 | M16 | 100 | 17 | 6.5 | 4 | 12 | 8 | 14000 | 222 |
| 403536 | LMP.50-SST-M16x125-TV | 395302 | LMP.50-A4-M16x125-TV | 50 | M16 | 125 | 17 | 6.5 | 4 | 12 | 8 | 14000 | 253 |
| 403537 | LMP.50-SST-M16x150-TV | 395306 | LMP.50-A4-M16x150-TV | 50 | M16 | 150 | 17 | 6.5 | 4 | 12 | 8 | 14000 | 282 |
| 403538 | LMP.50-SST-M16x200-TV | 395310 | LMP.50-A4-M16x200-TV | 50 | M16 | 200 | 17 | 6.5 | 4 | 12 | 8 | 14000 | 400 |

only for LMP-SST

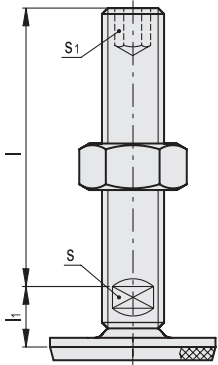


- 1
- 2
- 3
- 4
- 5
- 6
- 7
- 8
- 9
- 10
- 11
- 12
- 13
- 14
- 15
- 16
- 17
- 18

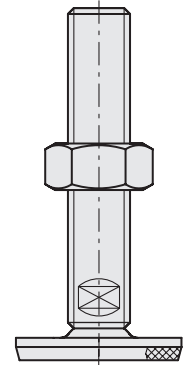
LMP-SST-TV
LMP-A4-TV
(M8-M10-M12)



LMP-SST-TV
(M16-M20-M24)



LMP-A4-TV
(M16-M20-M24)



LMP-SST-TV (d - l)

LMP-A4-TV (d - l)

| Code | Description | Code | Description | D | d | l | l1 | l2 | l3 | s | s1# | Max. limit static load [N] | Δ |
|--------|-----------------------|--------|----------------------|----|-----|-----|----|----|-----|----|-----|----------------------------|-----|
| 403544 | LMP.60-SST-M8x40-TV | 395404 | LMP.60-A4-M8x40-TV | 60 | M8 | 40 | 11 | 7 | 4.5 | 17 | - | 8000 | 81 |
| 403545 | LMP.60-SST-M8x50-TV | 395408 | LMP.60-A4-M8x50-TV | 60 | M8 | 50 | 11 | 7 | 4.5 | 17 | - | 8000 | 90 |
| 403546 | LMP.60-SST-M8x63-TV | 395412 | LMP.60-A4-M8x63-TV | 60 | M8 | 63 | 11 | 7 | 4.5 | 17 | - | 8000 | 101 |
| 403547 | LMP.60-SST-M10x50-TV | 395434 | LMP.60-A4-M10x50-TV | 60 | M10 | 50 | 11 | 7 | 4.5 | 17 | - | 14000 | 120 |
| 403548 | LMP.60-SST-M10x60-TV | 395438 | LMP.60-A4-M10x60-TV | 60 | M10 | 60 | 11 | 7 | 4.5 | 17 | - | 14000 | 132 |
| 403549 | LMP.60-SST-M10x80-TV | 395442 | LMP.60-A4-M10x80-TV | 60 | M10 | 80 | 11 | 7 | 4.5 | 17 | - | 14000 | 152 |
| 403550 | LMP.60-SST-M10x100-TV | 395446 | LMP.60-A4-M10x100-TV | 60 | M10 | 100 | 11 | 7 | 4.5 | 17 | - | 14000 | 182 |
| 403551 | LMP.60-SST-M12x60-TV | 395464 | LMP.60-A4-M12x60-TV | 60 | M12 | 60 | 11 | 7 | 4.5 | 17 | - | 16000 | 122 |
| 403552 | LMP.60-SST-M12x80-TV | 395468 | LMP.60-A4-M12x80-TV | 60 | M12 | 80 | 11 | 7 | 4.5 | 17 | - | 16000 | 152 |
| 403553 | LMP.60-SST-M12x100-TV | 395472 | LMP.60-A4-M12x100-TV | 60 | M12 | 100 | 11 | 7 | 4.5 | 17 | - | 16000 | 182 |
| 403554 | LMP.60-SST-M12x125-TV | 395476 | LMP.60-A4-M12x125-TV | 60 | M12 | 125 | 11 | 7 | 4.5 | 17 | - | 16000 | 202 |
| 403555 | LMP.60-SST-M16x75-TV | 395494 | LMP.60-A4-M16x75-TV | 60 | M16 | 75 | 17 | 7 | 4.5 | 12 | 8 | 16000 | 212 |
| 403556 | LMP.60-SST-M16x100-TV | 395498 | LMP.60-A4-M16x100-TV | 60 | M16 | 100 | 17 | 7 | 4.5 | 12 | 8 | 16000 | 232 |
| 403557 | LMP.60-SST-M16x125-TV | 395502 | LMP.60-A4-M16x125-TV | 60 | M16 | 125 | 17 | 7 | 4.5 | 12 | 8 | 16000 | 253 |
| 403558 | LMP.60-SST-M16x150-TV | 395506 | LMP.60-A4-M16x150-TV | 60 | M16 | 150 | 17 | 7 | 4.5 | 12 | 8 | 16000 | 273 |
| 403559 | LMP.60-SST-M16x200-TV | 395510 | LMP.60-A4-M16x200-TV | 60 | M16 | 200 | 17 | 7 | 4.5 | 12 | 8 | 16000 | 357 |
| 403564 | LMP.80-SST-M8x40-TV | 395604 | LMP.80-A4-M8x40-TV | 80 | M8 | 40 | 12 | 8 | 5 | 17 | - | 8000 | 162 |
| 403565 | LMP.80-SST-M8x50-TV | 395608 | LMP.80-A4-M8x50-TV | 80 | M8 | 50 | 12 | 8 | 5 | 17 | - | 8000 | 170 |
| 403566 | LMP.80-SST-M8x63-TV | 395612 | LMP.80-A4-M8x63-TV | 80 | M8 | 63 | 12 | 8 | 5 | 17 | - | 8000 | 174 |
| 403567 | LMP.80-SST-M10x50-TV | 395634 | LMP.80-A4-M10x50-TV | 80 | M10 | 50 | 12 | 8 | 5 | 17 | - | 14000 | 170 |
| 403568 | LMP.80-SST-M10x60-TV | 395638 | LMP.80-A4-M10x60-TV | 80 | M10 | 60 | 12 | 8 | 5 | 17 | - | 14000 | 182 |
| 403569 | LMP.80-SST-M10x80-TV | 395642 | LMP.80-A4-M10x80-TV | 80 | M10 | 80 | 12 | 8 | 5 | 17 | - | 14000 | 202 |
| 403570 | LMP.80-SST-M10x100-TV | 395646 | LMP.80-A4-M10x100-TV | 80 | M10 | 100 | 12 | 8 | 5 | 17 | - | 14000 | 222 |
| 403571 | LMP.80-SST-M12x60-TV | 395664 | LMP.80-A4-M12x60-TV | 80 | M12 | 60 | 12 | 8 | 5 | 17 | - | 20000 | 202 |
| 403572 | LMP.80-SST-M12x80-TV | 395668 | LMP.80-A4-M12x80-TV | 80 | M12 | 80 | 12 | 8 | 5 | 17 | - | 20000 | 212 |
| 403573 | LMP.80-SST-M12x100-TV | 395672 | LMP.80-A4-M12x100-TV | 80 | M12 | 100 | 12 | 8 | 5 | 17 | - | 20000 | 232 |
| 403574 | LMP.80-SST-M12x125-TV | 395676 | LMP.80-A4-M12x125-TV | 80 | M12 | 125 | 12 | 8 | 5 | 17 | - | 20000 | 242 |
| 403575 | LMP.80-SST-M16x75-TV | 395694 | LMP.80-A4-M16x75-TV | 80 | M16 | 75 | 18 | 8 | 5 | 12 | 8 | 20000 | 283 |
| 403576 | LMP.80-SST-M16x100-TV | 395698 | LMP.80-A4-M16x100-TV | 80 | M16 | 100 | 18 | 8 | 5 | 12 | 8 | 20000 | 303 |
| 403577 | LMP.80-SST-M16x125-TV | 395702 | LMP.80-A4-M16x125-TV | 80 | M16 | 125 | 18 | 8 | 5 | 12 | 8 | 20000 | 364 |
| 403578 | LMP.80-SST-M16x150-TV | 395706 | LMP.80-A4-M16x150-TV | 80 | M16 | 150 | 18 | 8 | 5 | 12 | 8 | 20000 | 384 |
| 403579 | LMP.80-SST-M16x200-TV | 395710 | LMP.80-A4-M16x200-TV | 80 | M16 | 200 | 18 | 8 | 5 | 12 | 8 | 20000 | 403 |
| 403580 | LMP.80-SST-M20x75-TV | 395734 | LMP.80-A4-M20x75-TV | 80 | M20 | 75 | 19 | 8 | 5 | 15 | 10 | 20000 | 364 |
| 403581 | LMP.80-SST-M20x100-TV | 395738 | LMP.80-A4-M20x100-TV | 80 | M20 | 100 | 19 | 8 | 5 | 15 | 10 | 20000 | 394 |
| 403582 | LMP.80-SST-M20x125-TV | 395742 | LMP.80-A4-M20x125-TV | 80 | M20 | 125 | 19 | 8 | 5 | 15 | 10 | 20000 | 414 |
| 403583 | LMP.80-SST-M20x150-TV | 395746 | LMP.80-A4-M20x150-TV | 80 | M20 | 150 | 19 | 8 | 5 | 15 | 10 | 20000 | 444 |
| 403584 | LMP.80-SST-M20x200-TV | 395750 | LMP.80-A4-M20x200-TV | 80 | M20 | 200 | 19 | 8 | 5 | 15 | 10 | 20000 | 599 |
| 403585 | LMP.80-SST-M24x100-TV | 395774 | LMP.80-A4-M24x100-TV | 80 | M24 | 100 | 22 | 8 | 5 | 19 | 12 | 22000 | 566 |
| 403586 | LMP.80-SST-M24x125-TV | 395778 | LMP.80-A4-M24x125-TV | 80 | M24 | 125 | 22 | 8 | 5 | 19 | 12 | 22000 | 687 |
| 403587 | LMP.80-SST-M24x150-TV | 395782 | LMP.80-A4-M24x150-TV | 80 | M24 | 150 | 22 | 8 | 5 | 19 | 12 | 22000 | 704 |
| 403588 | LMP.80-SST-M24x200-TV | 395786 | LMP.80-A4-M24x200-TV | 80 | M24 | 200 | 22 | 8 | 5 | 19 | 12 | 22000 | 768 |

Levelling feet and supports