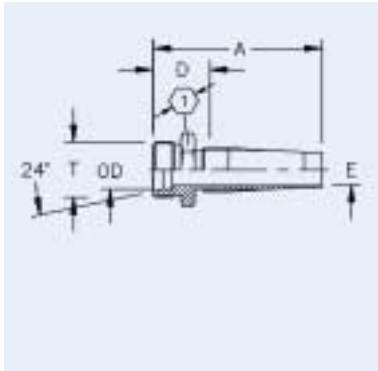
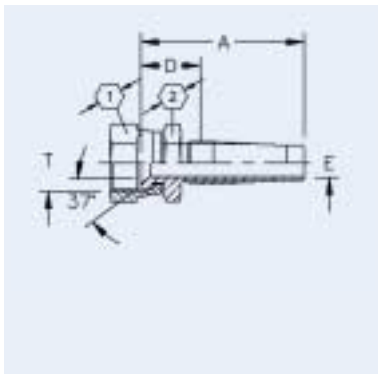


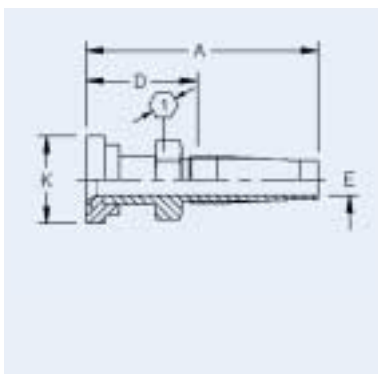
Reusable Fittings	Wiederverwendbare Armaturen	Embouts réutilisables	Raccordi riutilizzabili	Racores reutilizables
------------------------------	--	----------------------------------	------------------------------------	----------------------------------

EK (Reusable)**24° Male, Heavy
Duty****Außengewinde-
anschluss 24°,
schwere Baureihe****Mâle 24° série S****Maschio metrico
24°, serie pesante****Macho fijo de 24°,
serie pesada**

Part Number	Thread T	Flange	Tube O.D. mm	Hose ND	Hose Size	A mm	D mm	H mm	E mm	K Ø mm	HEX [1]	HEX [2]
11.005-16-8	M24x1,5		16	12	-8	73,5	36		9,8			27
11.005-20-10	M30x2,0		20	16	-10	78,5	41		13,0			32
11.005-25-12	M36x2,0		25	19	-12	91,0	45		15,5			41
11.005-30-16	M42x2,0		30	25	-16	104	53		20,5			46

FJ (Reusable)**J.I.C. Female
Swivel 37°****JIC-Dichtkopf 37°****Femelle JIC 37°****Femmina JIC 37°****Hembra loca JIC
37°**

Part Number	Thread T	Flange	Tube O.D. mm	Hose ND	Hose Size	A mm	D mm	H mm	E mm	K Ø mm	HEX [1]	HEX [2]
G185933-8-6	3/4-16			10	-6	75,5	36,7		7,6		22	22
G4103-4-8-8	3/4-16			12	-8	70,0	32		10,0		22	22
G4103-4-10-8	7/8-14			12	-8	71,0	31		10,0		27	27
G4103-4-10-8DR	7/8-14			12	-8	73,7	36,2		10,1		27	27
G4103-4-10-10	7/8-14			16	-10	72,0	34		12,0		27	27
G4103-4-10-10DR	7/8-14			16	-10	74,6	37,1		13,1		27	27
G4103-4-12-10	1 1/16-12			16	-10	73,5	35		12,8		32	32
G4103-4-12-10DR	1 1/16-12			16	-10	76,0	29,5		13,1		32	32
G4103-4-12-12	1 1/16-12			19	-12	84,0	37		15,5		32	32
G4103-4-12-12DR	1 1/16-12			19	-12	86,0	39,5		15,6		32	32
G4103-4-16-12	1 5/16-12			19	-12	86,5	39		15,5		41	41
G4103-4-16-16	1 5/16-12			25	-16	97,5	47		20,5		41	41
G4103-4-16-16DR	1 5/16-12			25	-16	98,0	47		20,6		41	41
G4103-4-20-16	1 5/8-12			25	-16	100,5	49,5		20,5		50	50

FL (Reusable)**SAE Flange Code
61 (3000 psi)****SAE Flansch Code
61 (3000 psi)****Bride SAE code 61
(3000 psi)****Flangia SAE
codice 61 (3000
psi)****Brida SAE código
61 (3000 psi)
acodado**

Part Number	Thread T	Flange	Tube O.D. mm	Hose ND	Hose Size	A mm	D mm	H mm	E mm	K Ø mm	HEX [1]	HEX [2]
G4614-8		1/2"		12	-8	79,0	41		10,0	30,2	19	
G4614-12		3/4"		19	-12	99,0	52		15,5	38,1	27	
G4614-16		1"		25	-16	102,5	52		20,5	44,4	32	

* Sockets must be ordered separately.

* Fassungen müssen separat bestellt werden.

* Les jupes doivent être commandées sép.

* Le boccole devono essere ordinate sep.

* Los manguitos tienen que pedirse por separado.