

IDC connectors

Order code	Manufacturer code	Description
19-0530	3012-40CSY	40 WAY STRAIGHT BOXED HEADER RC
19-0535	3012-50CSY	50 WAY STRAIGHT BOXED RC
19-0515	3012-20CSY	20 WAY STRAIGHT BOXED HEADER RC
19-0520	3012-26CSY	26 WAY STRAIGHT BOXED HEADER RC
19-0525	3012-34CSY	34 WAY STRAIGHT BOXED HEADER RC
19-0500	3012-10CSY	10 WAY STRAIGHT BOXED HEADER RC
19-0505	3012-14CSY	14 WAY STRAIGHT BOXED HEADER RC
19-0510	3012-16CSY	16 WAY STRAIGHT BOXED HEADER RC

IDC connectors	Page 1 of 2
The enclosed information is believed to be correct, Information may change without notice due to product improvement. Users should ensure that the product is suitable for their use. E. & O. E.	Revision A 20/02/2007

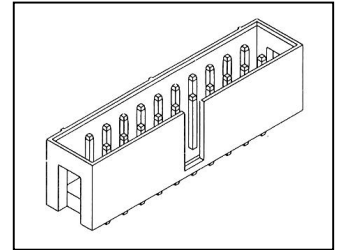
IDC Connectors

Oupiin 3012 Series – Straight Box Header 2.54mm

Technical Specification

Electrical

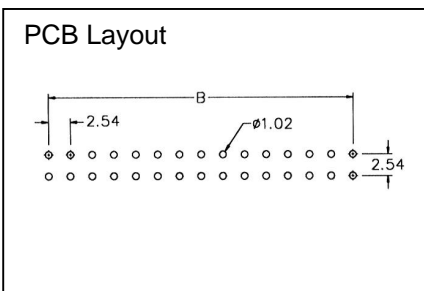
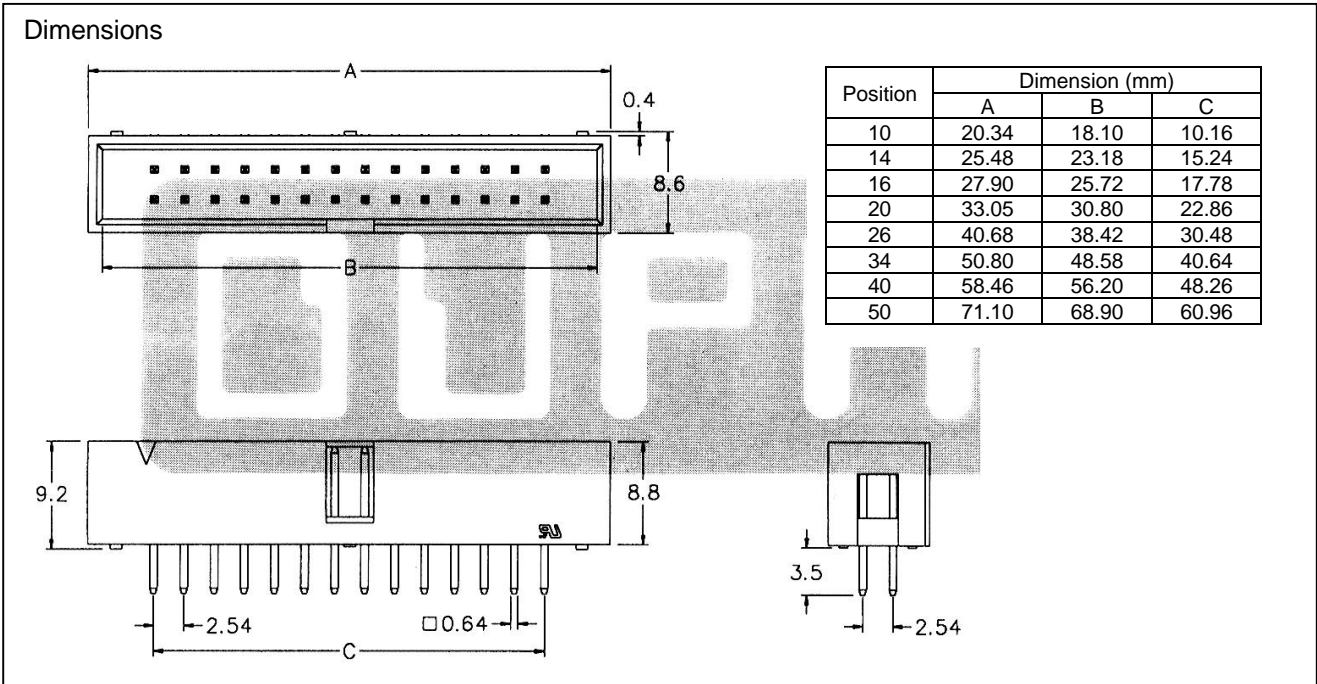
Current Rating: 1 A
 Insulator Resistance: 5,000 MΩ min. @ 500 VDC
 Contact Resistance: 20 mΩ max. @ 100mA DC
 Operating Temperature: -55°C to +105°C



Material

Housing: 30% Glass filled PBT UL94V-0
 Contacts: Brass
 Plating: Selective gold: Standard gold on mating area and tin plated on solder tail
 Colour: Grey

Mates with: 1001, 2041, 2042, 2043, 2044, 2045, 2046 & 2047 Series



Oupiin Ref No.	Description
3012-10 CSY	10 Way Straight Box Header
3012-14 CSY	14 Way Straight Box Header
3012-16 CSY	16 Way Straight Box Header
3012-20 CSY	20 Way Straight Box Header
3012-26 CSY	26 Way Straight Box Header
3012-34 CSY	34 Way Straight Box Header
3012-40 CSY	40 Way Straight Box Header
3012-50 CSY	50 Way Straight Box Header