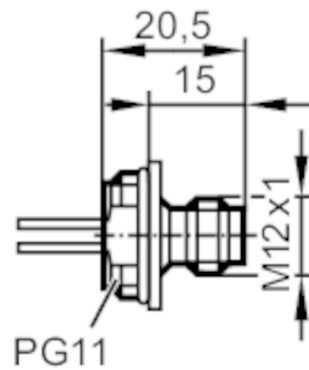


E12358



Adapter plug

ESTGH040PLS00,5E04 (PG11)



1 O-ring

Electrical data

Operating voltage	[V]	< 250 AC/DC
Max. current load total	[A]	4; (...40 °C)

Operating conditions

Ambient temperature	[°C]	-40...85
Protection		IP 67

Mechanical data

Weight	[g]	13.3
Mounting thread		PG 11
Materials		PA 6.6

Remarks

Pack quantity		1 pcs.
---------------	--	--------

Electrical connection

Cable: 0.5 m, PVC; 4 x 0.25 mm²

Electrical connection - plug

Connector: 1 x M12, straight; Moulded body: PA 6.6



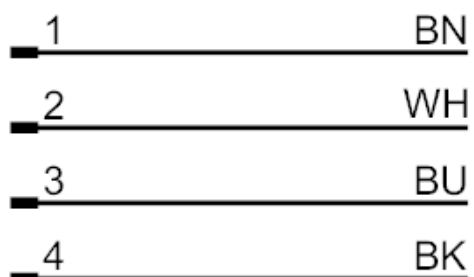
E12358



Adapter plug

ESTGH040PLS00,5E04 (PG11)

Connection



Core colours :

BK =	black
BN =	brown
BU =	blue
WH =	white