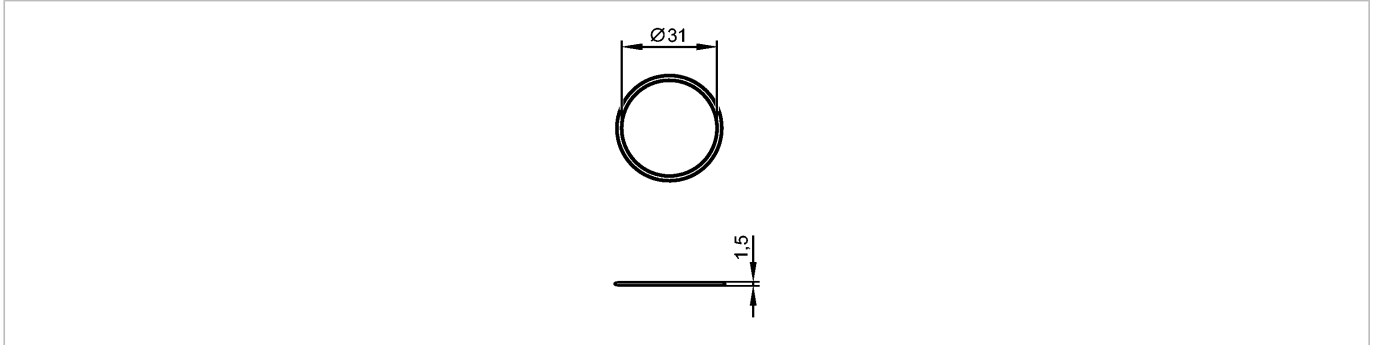




O-RG 31x1.5 ASEPTOFLEX FPM

Accessories



Product characteristics

O-ring

31 x 1.5

Mechanical data

Housing materials

FKM

Weight [kg]

0.005

Remarks

Pack quantity [piece]

10