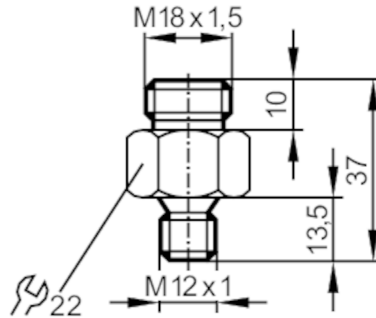


# E40100



## Screw-in adapter for process sensors

Adapter SI0/M12x1/MS



### Application

Application	for industrial applications
Media	liquids and gases
Pressure rating [bar]	30

### Tests / approvals

Pressure Equipment Directive	A possible classification to PED depends on the application and has to be carried out by the user / operator.
Safety instructions	The compatibility between medium and product material has to be checked in all applications.

### Mechanical data

Weight [g]	59.1
Dimensions [mm]	M18 x 1.5
Thread designation	M18 x 1.5
Materials	brass (2.0401)
Sensor connection	M18 x 1,5 internal thread
Process connection	M12 x 1
Insertion depth [mm]	13.5; (measuring probe SID, SFD, TN)

### Accessories

Accessories (supplied)	sealings: 1, AFM
------------------------	------------------

### Remarks

Remarks	In applications >30 bar use a suitable high-pressure adapter.
Pack quantity	1 pcs.