

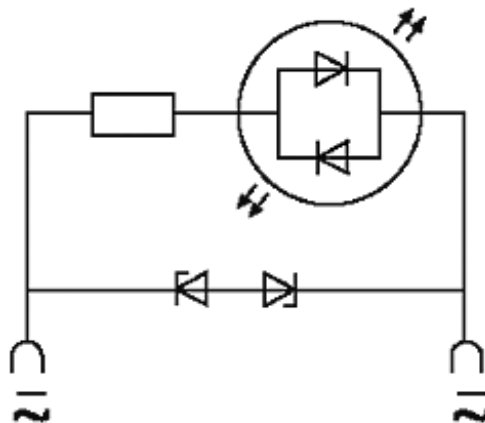
VALVE PLUG SUPPRESSOR FORM A - 18MM

Zener diode and LED, 24VDC/30VA/W

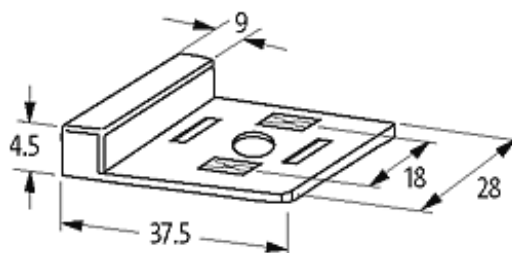
24 V AC/DC

Z Diode + LED (yellow)

Remove plug gasket when fitting adapter. Other LED colors on request.

[Link to Product](#)**Illustration**

LED + Zenerdiode



Product may differ from Image

Technical Data

Pin spacing	Form A (18 mm)
Switch off peak	1 V
Switch off delay time	max. 200 ms
Max. power (W)	max. 30 W(VA)
LED display	(yellow opac)
Contact material	Silvered bronze
Material	PUR

General data

Temperature range	-20...+60 °C
Dimensions H × W × D	4.5×37.5×28 mm

Commercial data

country of origin	DE
customs tariff number	85363010
minimum order quantity	1