

## MSUD VALVE PLUG FORM A 18MM

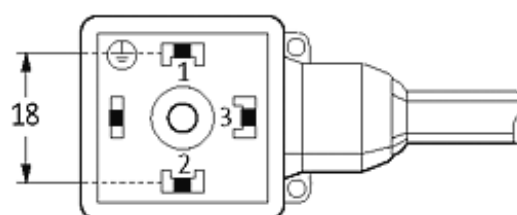
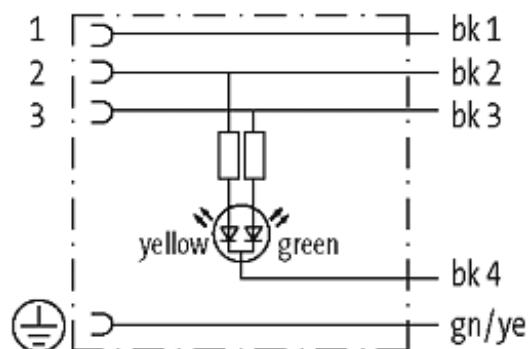
PUR 5X0.75 GRAY, 30m

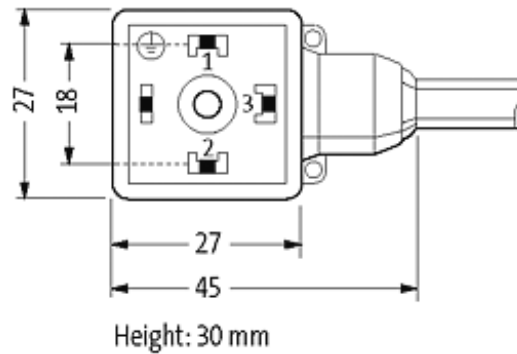
Form A (18 mm) for pressure switch  
24 V DC with LED (yellow/green)

Further cable lengths on request. Plastic housings with good resistance against chemicals and oils. The resistance to aggressive media should be individually tested for your application. Further details on request.

### [Link to Product](#)

#### Illustration





Product may differ from Image

### Approvals



### Form

18141

### Technical Data

|                               |                                        |
|-------------------------------|----------------------------------------|
| Operating voltage             | 24 V DC $\pm 25\%$                     |
| Operating current per contact | max. 4 A                               |
| Locking of ports              | M3 (recommended torque 0.4 Nm)         |
| Protection                    | IP67 inserted and tightened (EN 60529) |
| Housing                       | Black plastic (gray on request)        |

### Cables

|                             |                                 |
|-----------------------------|---------------------------------|
| Cable number                | 228                             |
| No./diameter of wires       | 5 $\times$ 0.75 mm <sup>2</sup> |
| Wire isolation              | PVC (bk, num, gnye)             |
| C-track properties          | 2 Mio.                          |
| Jacket Color                | gray                            |
| Shore hardness outer jacket | 85 $\pm$ 5A                     |
| Material (jacket)           | PUR/PVC (UL/CSA)                |
| Outer diameter              | approx. 7.0 mm                  |
| Bend radius (fixed)         | 10 $\times$ outer $\varnothing$ |
| Bend radius (moving)        | 15 $\times$ outer $\varnothing$ |
| Temperature range (fixed)   | -30...+80 °C                    |
| Temperature range (mobile)  | -5...+80 °C                     |

### Commercial data

|                        |          |
|------------------------|----------|
| country of origin      | CZ       |
| customs tariff number  | 85444290 |
| minimum order quantity | 1        |