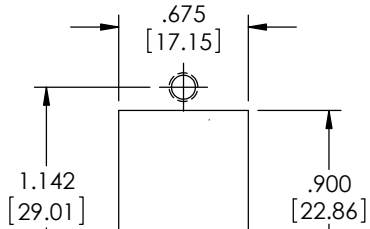


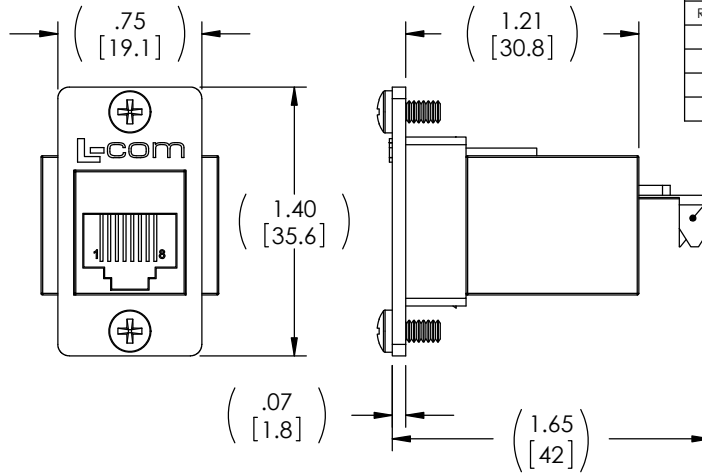
THE INFORMATION CONTAINED IN THIS DRAWING IS THE SOLE PROPERTY OF L-COM, INC. ANY REPRODUCTION IN PART OR WHOLE WITHOUT THE WRITTEN PERMISSION OF L-COM, INC. IS PROHIBITED.

REVISIONS			
REV	DESCRIPTION	DATE	APPROVED
A	INITIAL RELEASE	6/3/04	D. PARHAM
B	ECN 2427: ADDED KIT CONTENTS	5/30/06	D. PARHAM
C	ECN 6881: UPD DWG FORMAT, PACKAGING, AND LOGO	6/18/13	D. DESJARDIN

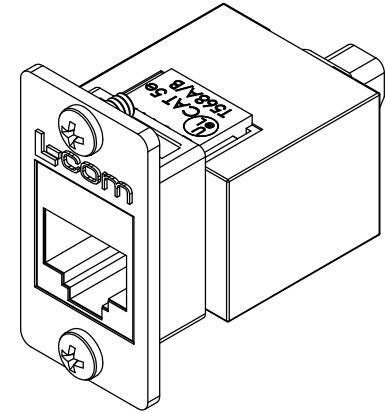


2X #4-40 UNC-2B THRU

**RECOMMENDED
PANEL OPENING**

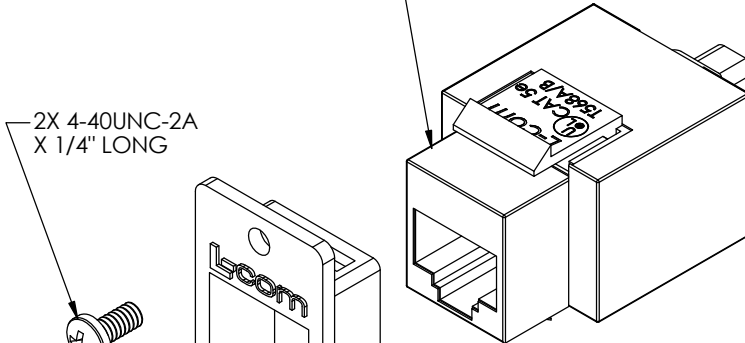


CABLE STRAIN RELIEF



CAT 5E SHIELDED RJ45 KEYSTONE JACK
(L-COM P/N: MJS110C5E-S)

2X 4-40UNC-2A
X 1/4" LONG



FLANGE MOUNTED KEYSTONE ADAPTOR

**KIT SHOWN FULLY ASSEMBLED FOR CLARITY
(KIT IS SHIPPED UN-ASSEMBLED)**

- KIT INCLUDES:
 1- KEYSTONE JACK
 1- FLANGE ADAPTOR
 1- PACKAGE MOUNTING SCREWS (4-40x 1/4")



NOTES:

MATERIAL:
 FLANGED ADAPTOR: ZINC ALLOY
 HARDWARE: STAINLESS STEEL.

FINISH:
 FLANGED ADAPTOR: NICKEL PLATE.

PACKAGING:
 KITS SHALL BE INDIVIDUALLY PACKAGED IN ACCORDANCE WITH L-COM PACKAGING SPECIFICATION PS-0031.

REGULATORY COMPLIANCE:
 ROHS, CE



UNLESS OTHERWISE SPECIFIED, DIMENSIONS ARE IN INCHES [mm] OVERALL CABLE LENGTH TOLERANCE: ≤12 [305] = +1 [25] / -0 >12 [305] ≤60 [1524] = +2 [51] / -0 >60 [1524] ≤120 [3048] = +4 [102] / -0 >120 [3048] ≤300 [7620] = +6 [152] / -0 >300 [7620] = +5% / -0% ALL OTHER DIMENSIONAL TOLERANCES: .X = ±.2 [5.08] .XX = ±.02 [1.51] .XXX = ±.005 [1.13]	APPROVALS	DATE		45 BEECHWOOD DRIVE NORTH ANDOVER, MA 01845
	DRAWN BY D. PARHAM	6/3/04		
PROJECTION 	CHECKED BY T. CLARK	6/3/04	CATEGORY TELECOM/MODULAR	
	APPROVED BY C. MCCORMICK	6/3/04	PRODUCT DESCRIPTION JACK RJ45/110 FLNG SHLD	
COLOR VARIATIONS MAY OCCUR	SIZE A	FSCM NO. 43321	DWG. NO. ECF110C5E-S	REV. C
SCALE: NONE		CAD FILE: ECF110C5E-S.SLDDRW		SHEET 1 OF 1