

Pin Contacts

Technical Features

Pin Bend Strength:
>6 N
(Held at box, force applied at tip)

Terminal Retention Force:
>30 N (Preliminary)
>75 N (Permanent)

Temperature Classification (according to USCAR)
– Tin Terminals Class II:
–40 °C to +120 °C max.
up to +125 °C max.
– Gold Terminals Class III:
–40 °C to +145 °C max.

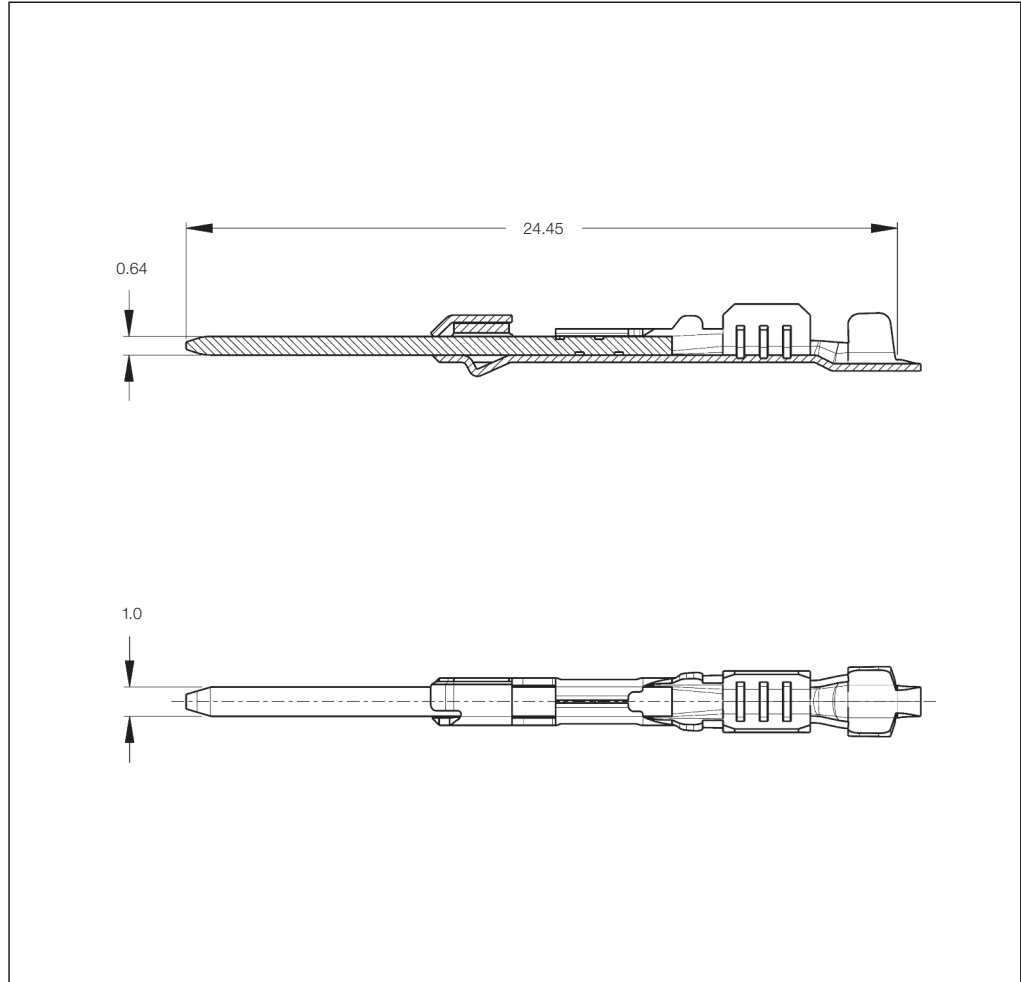
Vibration (per USCAR)
Unsealed Applications:
Body and Instrument Panel Profile

Dielectric Strength:
1,000 V AC min.

Voltage Drop (Initial Interface):
1.0 mV/A max.

Isolation Resistance:
20 MW @ 500 DC 500 V min.

Extraction Tool:
Part No. **3-1579007-6**



Pin Contacts

Wire Size Range (mm ²)	Insulation Diameter (mm)	Material and Finish	Part Numbers					Applicator	Hand Tool
			Strip Form	Packaging Unit	Loose-Piece	Packaging Unit			
0.22–0.35	1.10–1.65	Gold plated	3-1419158-1 ①	10,000	–	–	N/A	6-1393462-4	
		Tin plated	1-1419158-6 ①	10,000	–	–			
		Gold plated	1438299-1 ②	10,000	–	–	x-1528005-x		
		Tin plated	1438299-2 ②	10,000	–	–			
0.50–0.75	1.40–2.06	Gold plated	2-1419158-3 ①	10,000	–	–	N/A	6-1393462-5	
		Tin plated	2-1419158-5 ①	10,000	–	–			
		Gold plated	1438299-3 ②	10,000	–	–	x-1528268-x		
		Tin plated	1438299-4 ②	10,000	–	–			

Note: All Part Numbers are RoHS and ELV compliant.

- ① Standard Reeling Direction (Fig. 1)
- ② Optional Reeling Direction (Fig. 2)

