

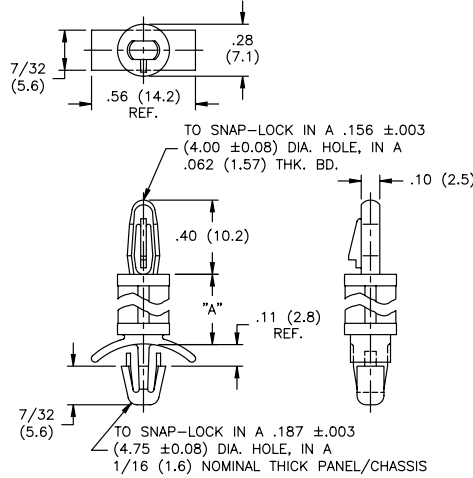
CIRCUIT BOARD HARDWARE

A

LCBS Series Locking Circuit Board Support



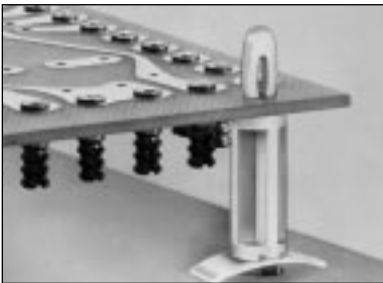
Patent Nos. 3,777,052 & 3,909,883



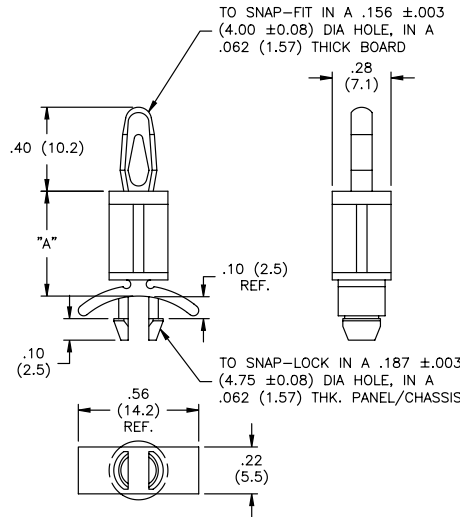
| Mat'l: Nylon 6/6, RMS-01 Color: Natural Part Number | Mat'l: Flame Ret. Nyl. 6/6, RMS-19 Color: White Part Number | Standard Pack: 1,000 per bag "A" ± .015 (0.4) |
|---|---|---|
| LCBS-3-01 | LCBS-3-19 | 3/16 (4.8) |
| LCBS-4-01 | LCBS-4-19 | 1/4 (6.4) |
| LCBS-5-01 | LCBS-5-19 | 5/16 (7.9) |
| LCBS-6-01 | LCBS-6-19 | 3/8 (9.5) |
| LCBS-7-01 | LCBS-7-19 | 7/16 (11.1) |
| LCBS-8-01 | LCBS-8-19 | 1/2 (12.7) |
| LCBS-10-01 | LCBS-10-19 | 5/8 (15.9) |
| LCBS-12-01 | LCBS-12-19 | 3/4 (19.1) |
| LCBS-14-01 | LCBS-14-19 | 7/8 (22.2) |
| LCBS-16-01 | LCBS-16-19 | 1 (25.4) |
| LCBS-18-01 | LCBS-18-19 | 1-1/8 (28.6) |
| LCBS-20-01 | LCBS-20-19 | 1-1/4 (31.7) |
| LCBS-22-01 | LCBS-22-19 | 1-3/8 (34.9) |

"Impact Modified" Nylon 6/6, RMS-73 material available by special order. To order, replace -01 with -73.

CBS Series Circuit Board Support

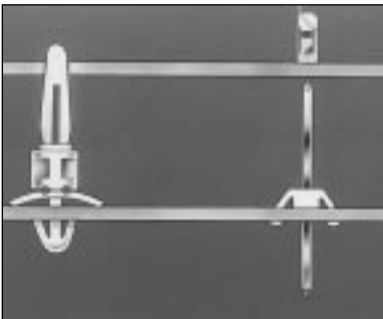


Patent Nos. 3,688,635



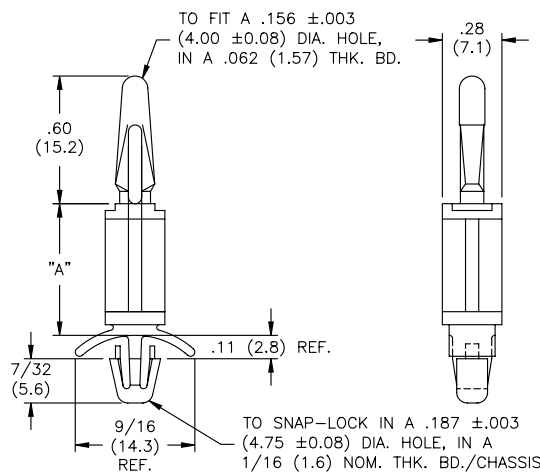
| Mat'l: Nylon 6/6, RMS-01 Color: Natural Part Number | Mat'l: Flame Ret. Nyl. 6/6, RMS-19 Color: White Part Number | Standard Pack: 1,000 per bag "A" ± .015(0.4) |
|---|---|--|
| CBS-3-01 | CBS-3-19 | 3/16 (4.8) |
| CBS-4-01 | CBS-4-19 | 1/4 (6.4) |
| CBS-6-01 | CBS-6-19 | 3/8 (9.5) |
| CBS-8-01 | CBS-8-19 | 1/2 (12.7) |
| CBS-10-01 | CBS-10-19 | 5/8 (15.9) |
| CBS-12-01 | CBS-12-19 | 3/4 (19.1) |
| CBS-14-01 | CBS-14-19 | 7/8 (22.2) |

LNCBS Series Long Nose Circuit Board Support



Highlights

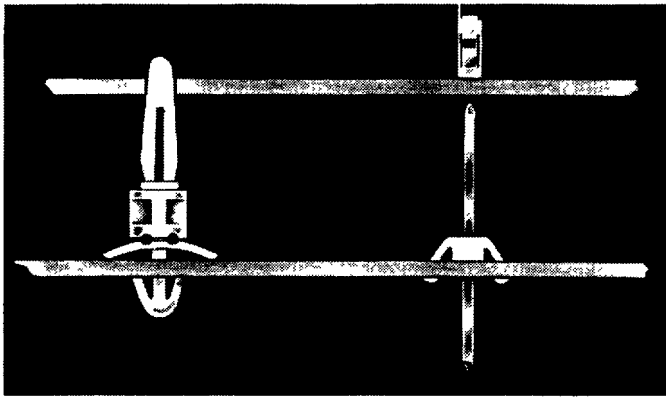
- Automatically locates and aligns connector pins with socket.



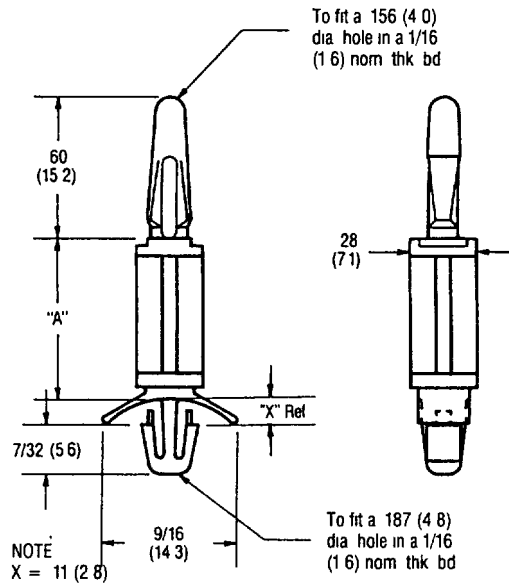
| Mat'l: Nylon 6/6, RMS-01 Color: Natural Part Number | Mat'l: Flame Ret. Nyl. 6/6, RMS-19 Color: White Part Number | Standard Pack: 1,000 per bag "A" ± .015(0.4) |
|---|---|--|
| LNCBS-3-01 | LNCBS-3-19 | 3/16 (4.8) |
| LNCBS-4-01 | LNCBS-4-19 | 1/4 (6.4) |
| LNCBS-6-01 | LNCBS-6-19 | 3/8 (9.5) |
| LNCBS-8-01 | LNCBS-8-19 | 1/2 (12.7) |
| LNCBS-10-01 | LNCBS-10-19 | 5/8 (15.9) |
| LNCBS-12-01 | LNCBS-12-19 | 3/4 (19.1) |
| LNCBS-14-01 | LNCBS-14-19 | 7/8 (22.2) |

CIRCUIT BOARD HARDWARE

LONG NOSE CIRCUIT BOARD SUPPORT (LNCBS)

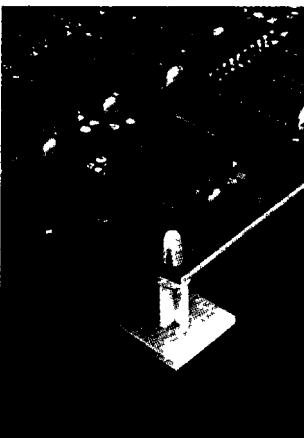


- Speeds assembly because long nose automatically locates and aligns connector pins with socket
- Installs with no tools
- Board lifts off easily to provide quick access to components
- Materials: Nylon 6/6, RMS-01, Flame Retardant Nylon, RMS-19
- Colour: Natural
- Standard Pack: 1000 per bag

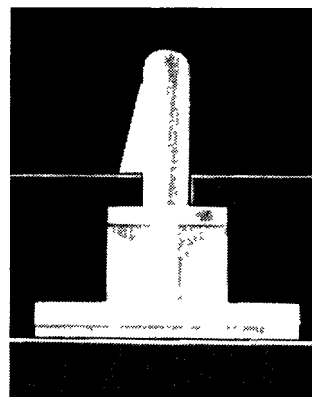


| inches (mm) | | |
|-----------------|---------------------------|------------|
| Part # Nylon | Part # Flame Retardant | "A" |
| LNCBS-3-01 | LNCBS-3-19 | 3/16 (4.8) |
| LNCBS-4-01 | LNCBS-4-19 | 1/4 (6.4) |
| LNCBS-6-01 | LNCBS-6-19 | 3/8 (9.5) |
| LNCBS-8-01 | LNCBS-8-19 | 1/2 (12.7) |
| LNCBS-10-01 | LNCBS-10-19 | 5/8 (15.9) |
| LNCBS-12-01 | LNCBS-12-19 | 3/4 (19.1) |
| LNCBS-14-01 | LNCBS-14-19 | 7/8 (22.2) |

CIRCUIT BOARD SUPPORTS ON BASE (CBSB/LCBSB)



- Available without adhesive backing. For new "A" Dim., subtract 1/32" (.8 mm) from Dim. "A" and delete "A" from part number
- Adhesive, RMS-15



- Material: Nylon 6/6, RMS-01; Flame Retardant Nylon, RMS-19, available by special order
- Colour: Natural
- Standard Pack: 1000 per bag

| inches (mm) | |
|----------------|--------------|
| Part # | "A" |
| CBSB-3-01A-RT | 3/16 (4.8) |
| CBSB-4-01A-RT | 1/4 (6.4) |
| CBSB-6-01A-RT | 3/8 (9.5) |
| CBSB-8-01A-RT | 1/2 (12.7) |
| CBSB-10-01A-RT | 5/8 (15.9) |
| CBSB-12-01A-RT | 3/4 (19.1) |
| CBSB-14-01A-RT | 7/8 (22.2) |
| CBSB-16-01A-RT | 1 (25.4) |
| CBSB-18-01A-RT | 1-1/8 (28.6) |

| inches (mm) | |
|-----------------|--------------|
| Part # | "A" |
| LCBSB-3-01A-RT | 3/16 (4.8) |
| LCBSB-4-01A-RT | 1/4 (6.4) |
| LCBSB-6-01A-RT | 3/8 (9.5) |
| LCBSB-8-01A-RT | 1/2 (12.7) |
| LCBSB-10-01A-RT | 5/8 (15.9) |
| LCBSB-12-01A-RT | 3/4 (19.1) |
| LCBSB-14-01A-RT | 7/8 (22.2) |
| LCBSB-16-01A-RT | 1 (25.4) |
| LCBSB-18-01A-RT | 1-1/8 (28.6) |

