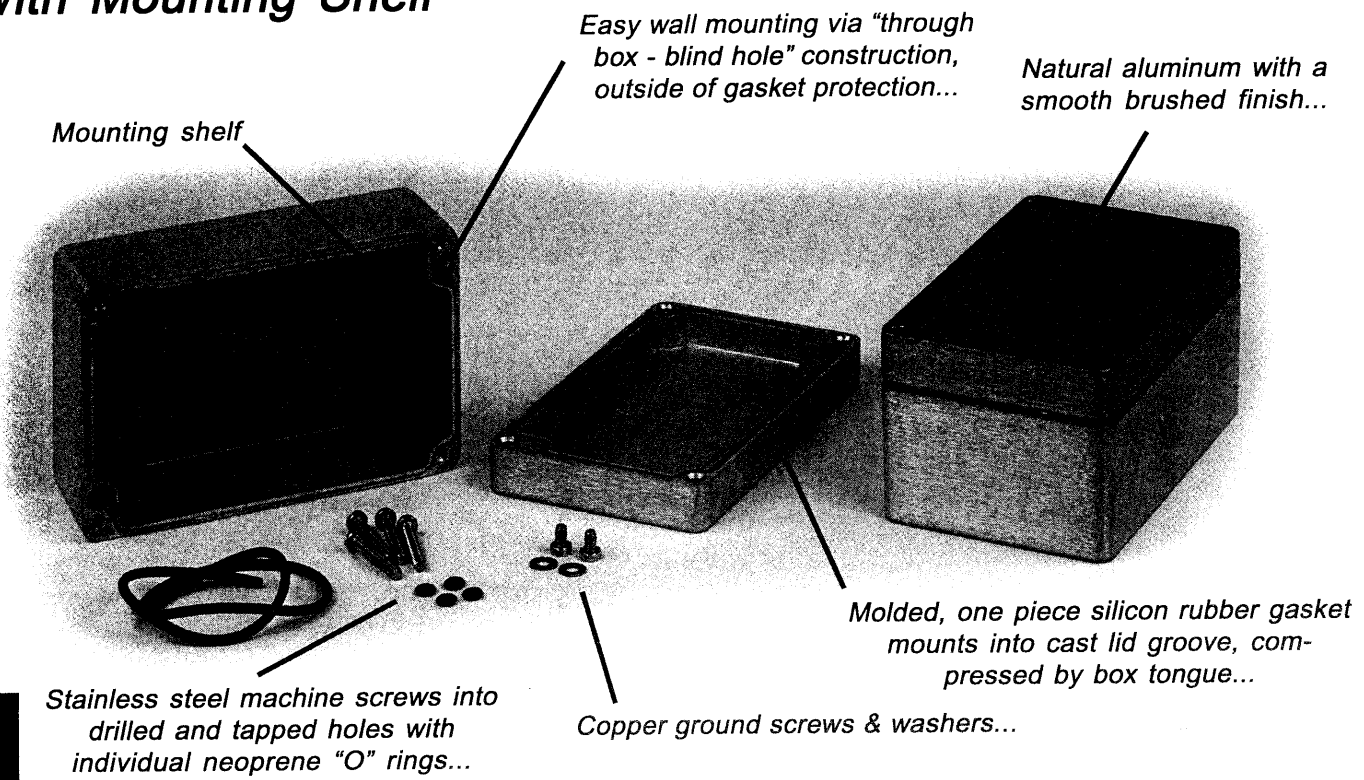


Lightweight, heavy duty - thick wall (1590Z Series)

With Mounting Shelf



Mounting shelf

Easy wall mounting via "through box - blind hole" construction, outside of gasket protection...

Natural aluminum with a smooth brushed finish...

Stainless steel machine screws into drilled and tapped holes with individual neoprene "O" rings...

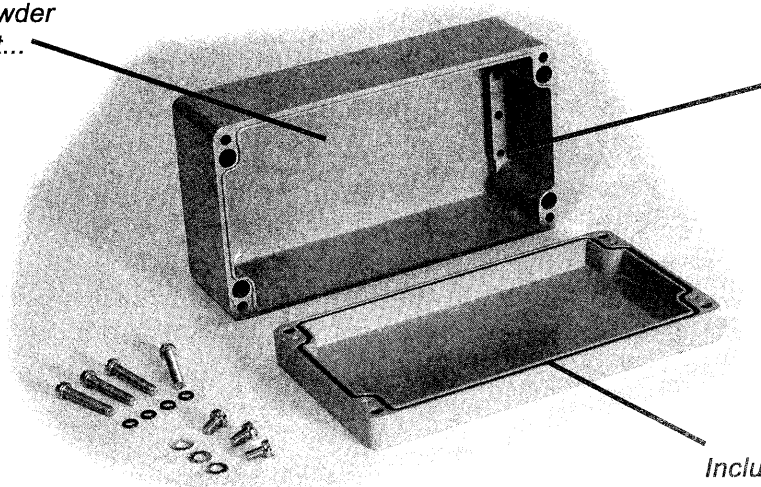
Copper ground screws & washers...

Molded, one piece silicon rubber gasket mounts into cast lid groove, compressed by box tongue...

KEY FEATURES

- Rugged, diecast aluminum alloy (tough yet easy to machine), electronic instrument enclosure.
- "Tongue & groove" construction with a molded, one piece silicon rubber gasket provides protection against access of dust and water. Ideal for repetitive opening and closing.
- Four recessed stainless steel machine screws secure lid into tapped holes. Screws are self capturing using either individual neoprene "O" rings (outside the lid gasket seal) or using screw capturing lid.
- Designed to meet IP65.
- Painted version is designed for outdoor applications, they are painted inside and out with a tough polyester powder paint. Choice of grey (RAL 7001) or black.

Painted versions are powder painted inside and out...

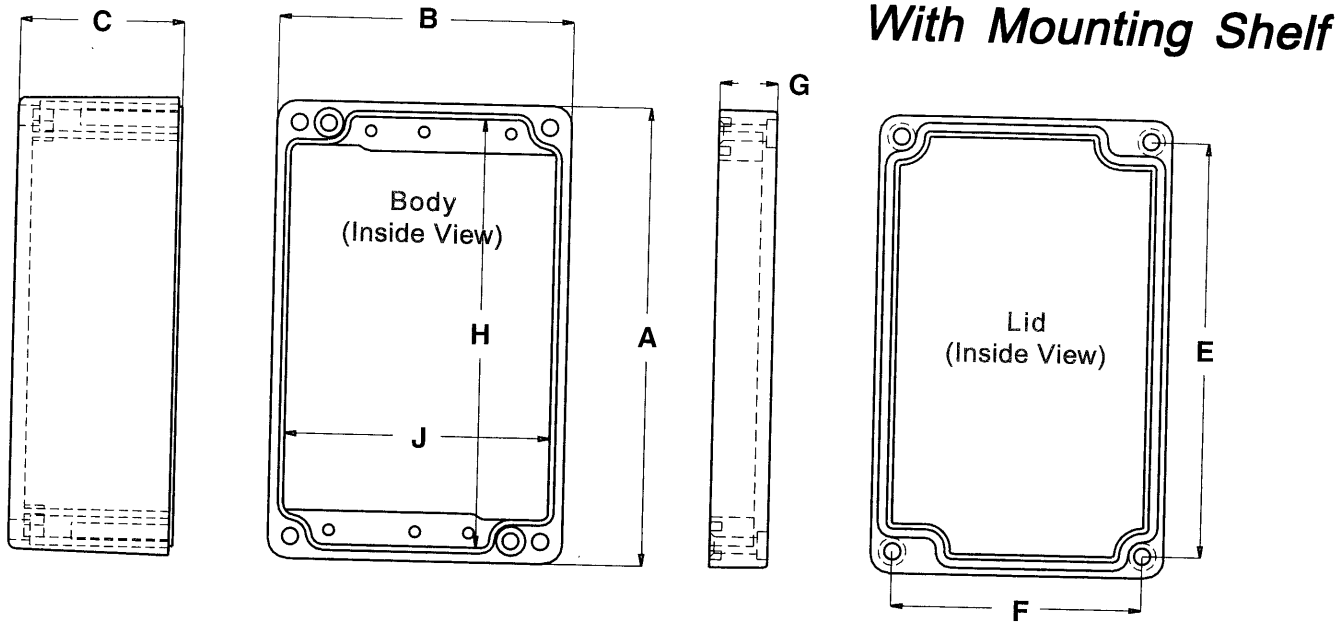


Ground points are left unpainted...

Includes molded, one piece silicon rubber gasket...



Watertight, heavy duty - thick wall (1590Z Series)



With Mounting Shelf

Part Number			Units	Dimensions								Lid Grounding Screw	Mounting Shelf
Unpainted	Black	Grey		A	B	C (No Lid)	E	F	G	H	J		
1590Z100	1590Z100BK	1590Z100GY	inch mm	2.94 75	3.14 80	1.57 40	2.49 63	2.68 68	.47 12	2.64 67	2.84 72	No	Yes
1590Z119	1590Z119BK	1590Z119GY	inch mm	4.80 122	4.72 120	2.36 60	4.14 105	4.09 104	.80 20	4.45 113	4.36 111	Yes	Yes
1590Z120	1590Z120BK	1590Z120GY	inch mm	4.92 125	3.15 80	1.72 43	4.46 113	2.68 68	.62 15	4.61 117	2.84 72	No	Yes
1590Z160	1590Z160BK	1590Z160GY	inch mm	6.30 160	6.30 160	2.76 70	5.55 141	5.55 141	.79 20	5.98 152	5.98 152	Yes	Yes
1590Z231	1590Z231BK	1590Z231GY	inch mm	7.88 200	9.05 230	3.63 92	7.10 180	8.28 210	.80 20	7.62 194	8.45 215	Yes	Yes
1590Z150	1590Z150BK	1590Z150GY	inch mm	8.70 220	4.76 120	2.39 60	8.07 205	4.09 104	.79 20	8.31 211	4.37 111	No	Yes
1590Z162	1590Z162BK	1590Z162GY	inch mm	10.24 260	6.25 159	2.75 70	9.38 238	5.50 140	.79 20	9.83 249	5.94 151	Yes	Yes

Sealed Diecast

For detailed drawings, CAD files or color photos visit our website at:
www.hammondmgf.com

