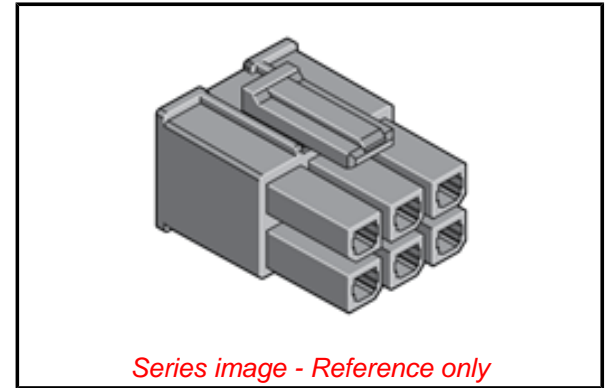


PLEASE CHECK WWW.MOLEX.COM FOR LATEST PART INFORMATION

Part Number: [1700010106](#)
Status: **Active**
Overview: [Mega-Fit® Power Connectors](#)
Description: [Mega-Fit® Receptacle Housing, Dual Row, 6 Circuit, Glow Wire Capable, Bag](#)

Documents:

| | |
|--|--|
| 3D Model | Packaging Specification PK-172323-0001 (PDF) |
| Drawing (PDF) | Packaging Specification PK-172323-0002 (PDF) |
| Product Specification PS-76823-100 (PDF) | Packaging Specification PK-172323-0003 (PDF) |
| Application Specification AS-76823-100 (PDF) | RoHS Certificate of Compliance (PDF) |
| Packaging Specification PK-170001-001 (PDF) | |



Agency Certification

| | |
|-----|---------|
| CSA | LR19980 |
| UL | E29179 |

General

| | |
|----------------|--|
| Product Family | Crimp Housings |
| Series | 170001 |
| Application | Power, Wire-to-Board, Wire-to-Wire |
| Overview | Mega-Fit® Power Connectors |
| Product Name | Mega-Fit® |
| UPC | 887191246307 |

Physical

| | |
|-------------------------------|-----------------|
| Circuits (maximum) | 6 |
| Circuits Detail | 6 |
| Color - Resin | Black |
| Flammability | 94V-2 |
| Gender | Male |
| Glow-Wire Compliant | Yes |
| Lock to Mating Part | Yes |
| Material - Resin | Nylon |
| Net Weight | 2.960/g |
| Number of Rows | 2 |
| Packaging Type | Bag |
| Panel Mount | No |
| Pitch - Mating Interface | 5.70mm |
| Pitch - Termination Interface | 5.70mm |
| Polarized to Mating Part | Yes |
| Temperature Range - Operating | -40°C to +120°C |

Electrical

| | |
|-------------------------------|-------|
| Current - Maximum per Contact | 23.0A |
|-------------------------------|-------|

Solder Process Data

| | |
|-----------------------------|-----|
| Lead-freeProcess Capability | N/A |
|-----------------------------|-----|

Material Info

Reference - Drawing Numbers

| | |
|---------------------------|---|
| Application Specification | AS-76823-100 |
| Packaging Specification | PK-170001-001, PK-172323-0001, PK-172323-0002, PK-172323-0003 |
| Product Specification | PS-76823-100 |
| Sales Drawing | SD-170001-0100 |

EU ELV

Not Relevant

EU RoHS

Compliant

REACH SVHC

Not Contained Per -
ED/21/2016 (20 June
2016)

Halogen-Free

Status

Not Low-Halogen

**Need more information on product
environmental compliance?**

Email productcompliance@molex.com
Please visit the [Contact Us](#) section for any
non-product compliance questions.

China ROHS

ELV

Green Image

Not Relevant

Search Parts in this Series

[170001](#) Series

Mates With

Mega-Fit® Header [76825](#) , [76829](#) , [172064](#) ,
[172065](#)

Use With

Mega-Fit® Crimp Terminals [172063](#) , Mega-
Fit® Crimp Terminals [76823](#)

This document was generated on 07/29/2016

PLEASE CHECK WWW.MOLEX.COM FOR LATEST PART INFORMATION