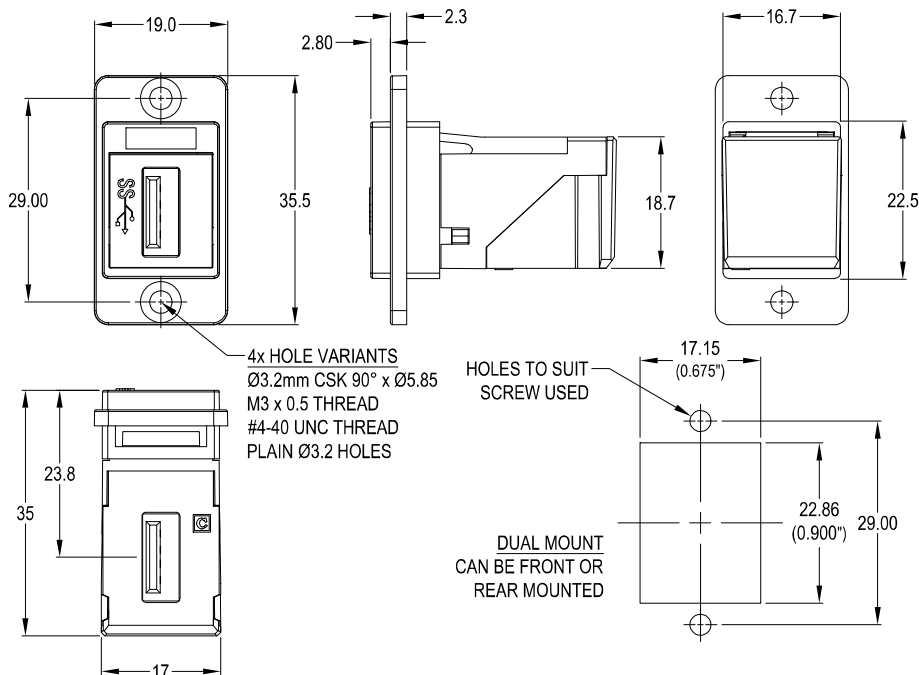


CLIFF

DUALSLIM USB3 A-A RIGHT ANGLE METAL FEEDTHROUGH



VARIANTS

Part No.

CP30755M

CP30755MB

CP30755M3

CP30755MB3

CP30755M440

CP30755MB440

CP30755MX1

CP30755MBX1

RAFT DUALSLIM USB3 A-A Nickel frame, CSK holes

RAFT DUALSLIM USB3 A-A Black metal frame, CSK holes

RAFT DUALSLIM USB3 A-A Nickel frame, M3 holes

RAFT DUALSLIM USB3 A-A Black metal frame, M3 holes

RAFT DUALSLIM USB3 A-A Nickel frame, #4-40 holes

RAFT DUALSLIM USB3 A-A Black metal frame, #4-40 holes

RAFT DUALSLIM USB3 A-A Nickel frame, Ø3.2 PLAIN holes

RAFT DUALSLIM USB3 A-A Black metal frame, Ø3.2 PLAIN holes

Feedthrough Features

- Fits standard rectangular cutout.
- Front or rear mounting through the panel.
- Various hole mounting options.
- No soldering or punch termination. Use standard cable for each connector style.
- Low rear profile.
- 90° or right angle rear cable entry.

General:

Please note: Functionality is affected by cable quality, length and cable wiring configuration.

Material:

1. Keystone Body: ABS UL94 V2
2. USB (Blue): UL94 V-0
3. FT Frame: Nickel or Black Plated Zinc Diecast
4. Shell: Nickel plated Copper Alloy
5. Contacts: Gold Plated Copper Alloy

Performance:

1. Voltage rating: 30V AC
2. Current rating: 1.5A max
3. Contact resistance: 30mΩ max
4. Insulation resistance: 100MΩ min
5. Dielectric withstanding voltage: 500V AC
6. Operating Temperature: -20°C to 50°C