

DLV02/12/16 series

■ For Machine Screws (1.0 - 4.2 mm)

Features

Brushless motors are incorporated for maximum tool life

- Ergonomic grip offers greater operator comfort and increased maneuverability
- Grounded bit system standard
- Clear plastic torque adjustment cover provided as standard accessory (DLV02/12/16SL-CKE)
- ESD (electrostatic discharge) protection (DLV02/12/16SL-BKE)
- Compliant with CE standards
- Controllers feature an overload detection function. When an overload is detected, the controller stops the screwdriver. Operation can be resumed after the screwdriver is unloaded, and the lever released (DLC16S)
- Universal input voltage from 100 to 240 V AC for easy installation (DLC16S)
- Variable speed adjustment enables you to select optimum screw tightening speed (DLC16S)



DLV02/12/16SL-CKE

DLV02/12/16SL-BKE

DLC16S

Specifications

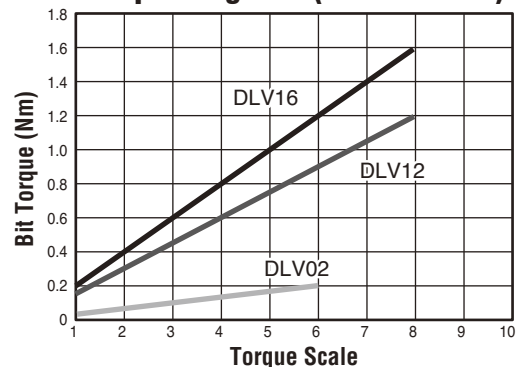
Model	Standard	DLV02SL-CKE	DLV12SL-CKE	DLV16SL-CKE
	ESD	DLV02SL-BKE	DLV12SL-BKE	DLV16SL-BKE
Starting Method			Lever Start	
Input Voltage			20 - 30 V DC	
Torque Adjustment			Stepless	
Torque (Nm)		0.03 - 0.2	0.15 - 1.2	0.2 - 1.6
Free Speed (min ⁻¹)			700 - 1,000	
Power Consumption (W)			48	
Screw Size (mm)	Machine Screw	1.0 - 2.2	1.4 - 3.0	2.2 - 4.0
	Tapping Screw	1.0 - 2.0	1.4 - 2.6	2.0 - 3.0
Bit Type (mm)				
Mass (kg)			0.47	

Model	DLC16S-WGB
Input Voltage	100 - 240 V AC, 50/60 Hz
Output Voltage	20 - 30 V DC
Function	Speed Control
Plug Shape	
Mass (kg)	0.38

Standard Accessories

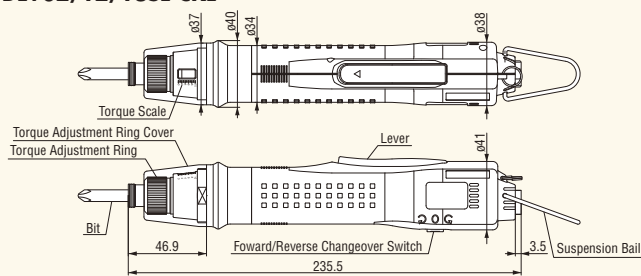
Model		DLV02	DLV12	DLV16
Bit	No.0 × 3.8 × 50	1	-	-
	No.1 × 3.8 × 50	1	1	1
	No.2 × 4.5 × 50	-	1	1
Connection Cable		1	1	1

Torque Diagrams (for reference)

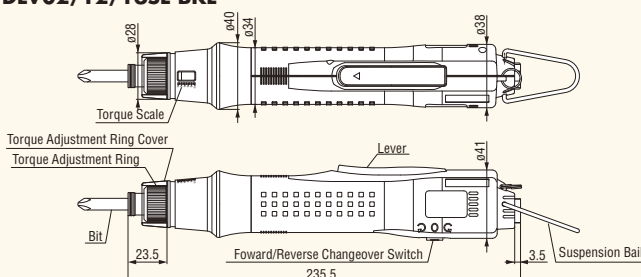


External Dimensions

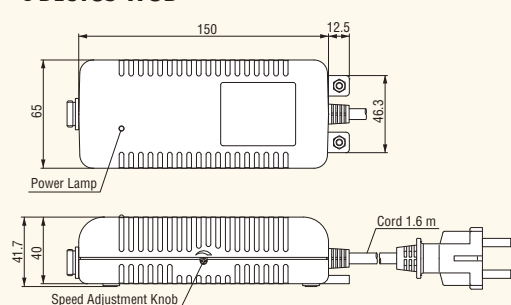
● DLV02/12/16SL-CKE



● DLV02/12/16SL-BKE



● DLC16S-WGB



Unit: mm