



Connectors > Power Connectors > Power Contacts



Power Contact Type: **Contact**

Operating Voltage: **600 VAC**

Contact Mating Area Plating Material: **Gold**

Wire Size: **.5 – 2 mm<sup>2</sup>**

## Features

### Product Type Features

Power Contact Type	Contact
Connector System	Wire-to-Wire
Connector & Contact Terminates To	Wire & Cable

### Electrical Characteristics

Operating Voltage	600 VAC
-------------------	---------

### Contact Features

Contact Mating Area Plating Material	Gold
Contact Current Rating (Max)	19 A
Contact Type	Socket
Contact Retention Within Housing	With
Mating Pin Diameter	2.13 mm [.084 in]
Contact Base Material	Brass
Contact Mating Area Plating Material Thickness	.76 μm [30 μin]
Wire Contact Termination Area Plating Material Thickness	.76 μm [30 μin]
Wire Contact Termination Area Plating Material	Gold



Contact Orientation	Straight
Contact Underplating Material	Nickel
Contact Underplating Material Thickness	1.27 µm[50 µin]

#### Termination Features

Termination Method to Wire & Cable	Crimp
------------------------------------	-------

#### Mechanical Attachment

Contact Retention Type Within Housing	Locking Lance
Connector Mounting Type	Cable Mount (Free-Hanging)
Wire Insulation Support	Without

#### Dimensions

Wire Size	.5 – 2 mm <sup>2</sup>
Accepts Wire Insulation Diameter Range	3.3 – 5.08 mm[.13 – .2 in]

#### Usage Conditions

Operating Temperature Range	-55 – 105 °C[-67 – 221 °F]
-----------------------------	----------------------------

#### Operation/Application

Circuit Application	Power
---------------------	-------

#### Industry Standards

CSA Rating	Certified
Glow Wire Rating	Standard Part - Not Glow Wire
VDE Tested	Yes
Agency/Standard	CSA
CSA File Number	LR 7189
UL Rating	Recognized
UL Flammability Rating	UL 94V-0
UL File Number	E28476

#### Packaging Features

Packaging Method	Reel
Packaging Quantity	1000

#### Other

Wire/Cable Type	Discrete Wire
Wire Type	Stranded

For Use With

Universal MATE-N-LOK Plug or Socket Housing

## Product Compliance

For compliance documentation, visit the product page on [TE.com](#)>

EU RoHS Directive 2011/65/EU

Compliant

EU ELV Directive 2000/53/EC

Compliant

China RoHS 2 Directive MIIT Order No 32, 2016

No Restricted Materials Above Threshold

EU REACH Regulation (EC) No. 1907/2006

Current ECHA Candidate List: JAN 2021 (211)  
 Candidate List Declared Against: JAN 2021 (211)  
 Does not contain REACH SVHC

Halogen Content

Low Halogen - Br, Cl, F, I < 900 ppm per homogenous material. Also BFR/CFR/PVC Free

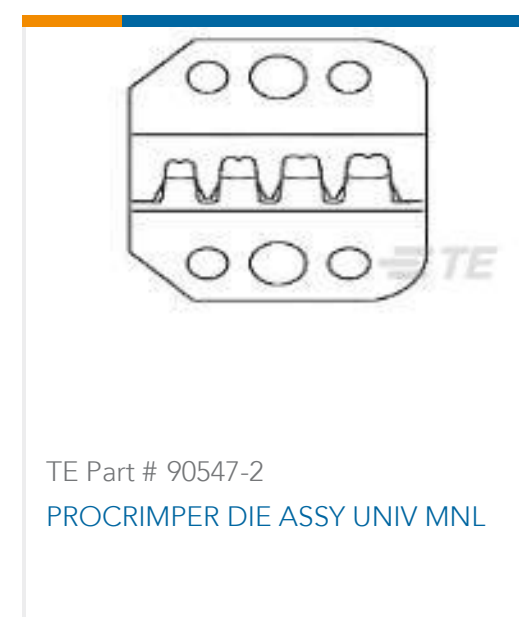
Solder Process Capability

Not applicable for solder process capability

### Product Compliance Disclaimer

This information is provided based on reasonable inquiry of our suppliers and represents our current actual knowledge based on the information they provided. This information is subject to change. The part numbers that TE has identified as EU RoHS compliant have a maximum concentration of 0.1% by weight in homogenous materials for lead, hexavalent chromium, mercury, PBB, PBDE, DBP, BBP, DEHP, DIBP, and 0.01% for cadmium, or qualify for an exemption to these limits as defined in the Annexes of Directive 2011/65/EU (RoHS2). Finished electrical and electronic equipment products will be CE marked as required by Directive 2011/65/EU. Components may not be CE marked. Additionally, the part numbers that TE has identified as EU ELV compliant have a maximum concentration of 0.1% by weight in homogenous materials for lead, hexavalent chromium, and mercury, and 0.01% for cadmium, or qualify for an exemption to these limits as defined in the Annexes of Directive 2000/53/EC (ELV). Regarding the REACH Regulation, the information TE provides on SVHC in articles for this part number is based on the latest European Chemicals Agency (ECHA) 'Guidance on requirements for substances in articles' posted at this URL: <https://echa.europa.eu/guidance-documents/guidance-on-reach>

## Compatible Parts






TE Part # 1-480705-2  
06P UNML CAP HSG RED



TE Part # 1-480708-9  
12P UMNL PLUG HSG BLK



TE Part # 926307-3  
6P UN-MNL AUFN-GEH



TE Part # 1-480704-2  
06P UMNL PLUG HSG RED



TE Part # 926302-1  
10& UNIV.M-N-L.PLUG



TE Part # 1-350777-2  
02P UMNL V0 PLUG HSG RED



TE Part # 350783-1  
12P UMNL CAP HSG



TE Part # 1-350778-9  
02P UMNL V0 CAP HSG BLACK



TE Part # 350735-1  
12P UMNL PLUG HSG



TE Part # 926302-3  
10P UN-MNL STECKGEH



TE Part # 926308-3  
8P UN-MNL AUFN-GEH



TE Part # 1-350766-2  
03P UMNL V0 PLUG HSG RED



TE Part # 1-480701-4  
03P UMNL CAP HSG YELL



TE Part # 640585-1  
06P UMNL PLUG HSG V2 NATL




TE Part # 926308-1  
8P UNIV.M-N-L.CAP




TE Part # 926309-1  
10P UNIV.M-N-L.CAP


Also in the Series | **Universal MATE-N-LOK**




Circular Power Connectors(2)



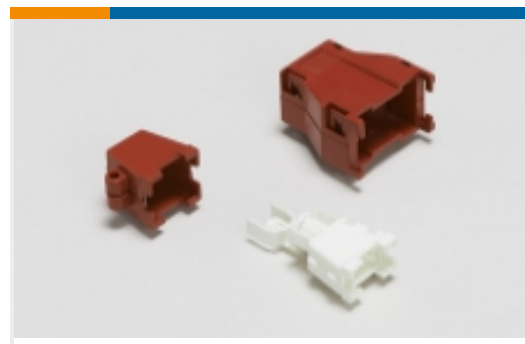
Connector Contacts(11)



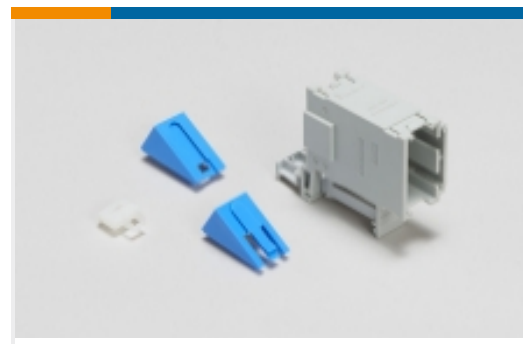
Insertion & Extraction Tools(4)



Power Contacts(207)



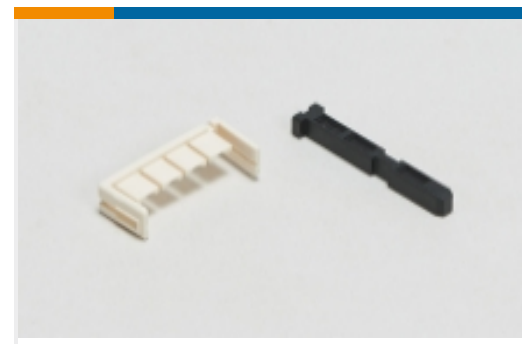
Rectangular Boots & Strain Relief(35)



Rectangular Connector Adapters(7)



Rectangular Connector Housings(2)



Rectangular Connector Keying Plugs(3)



Rectangular Connector Locking(4)

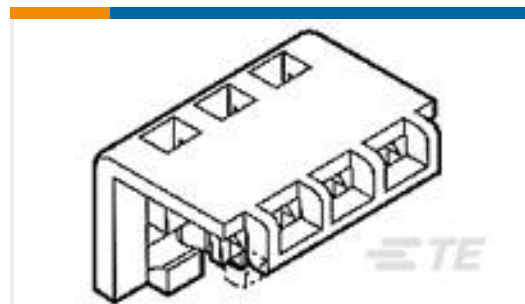


Rectangular Connector Seals(26)



Rectangular Power Connectors(725)

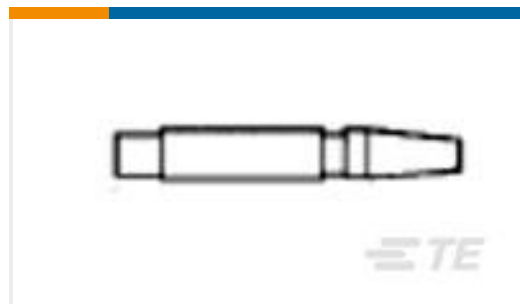
## Customers Also Bought



TE Part #1-643067-2  
12P MTA156 MOLDED COVER



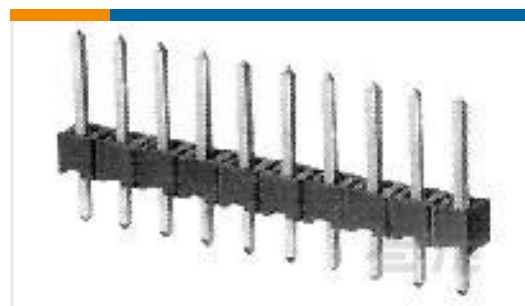
TE Part #1888653-2  
2X1 OFFSET ST/JK WITH LEDS



TE Part #206508-1  
TYPE XII KEYING PLUG



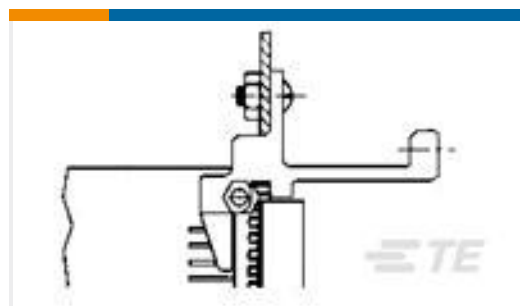
TE Part #2-1393224-8  
RYA51024



TE Part #103239-2  
02 MODII HDR SRST B/A .100CL



TE Part #103239-4  
04 MODII HDR SRST B/A .100CL



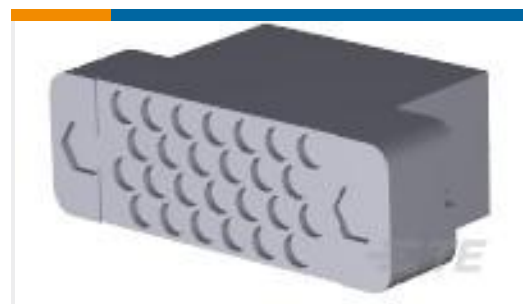
TE Part #2-826199-8  
FUEHRGSTEIL FEDERL



TE Part #ED9904-000  
CI-PLL/D-380/480



TE Part #206306-5  
CPC RECEPT ASSEMBLY SIZE 23-37



TE Part #200512-3  
FEMALE BLOCK 26 PL.

## Documents



## Product Drawings

---

### CAD Files

#### 3D PDF

3D

#### Customer View Model

[ENG\\_CVM\\_350551-2\\_P.3d\\_igs.zip](#)

English

#### Customer View Model

[ENG\\_CVM\\_350551-2\\_P.3d\\_stp.zip](#)

English

#### Customer View Model

[ENG\\_CVM\\_350551-2\\_P.2d\\_dxf.zip](#)

English

#### 3D PDF

English

#### Customer View Model

[ENG\\_CVM\\_CVM\\_350551-2\\_K.2d\\_dxf.zip](#)

English

#### Customer View Model

[ENG\\_CVM\\_CVM\\_350551-2\\_K.3d\\_igs.zip](#)

English

#### Customer View Model

[ENG\\_CVM\\_CVM\\_350551-2\\_K.3d\\_stp.zip](#)

English

By downloading the CAD file I accept and agree to the [Terms and Conditions](#) of use.

## Datasheets & Catalog Pages

[SOFT\\_SHELL\\_PIN\\_SOCKET\\_CONNECTORS\\_STANDARD\\_DENSITY](#)

English

## Product Specifications

[Engineering Report](#)

English

## Product Environmental Compliance

[TE Material Declaration](#)

English

## Instruction Sheets

[Instruction Sheet \(U.S.\)](#)

English