

## SAI-8-F 5P 15M 0.5/1.0U

**Weidmüller Interface GmbH & Co. KG**  
 Klingenbergstraße 16  
 D-32758 Detmold  
 Germany  
 Fon: +49 5231 14-0  
 Fax: +49 5231 14-292083  
 www.weidmueller.com



M12 distributors are available in various versions. The 4, 6 or 8 M12 slots are in 4 or 5 pole design. The group outlet is designed as a fixed cable version, hood version for connection by the user, or with M23. Special versions are also available. For instance, there are 1-to-1 distributors for use with any connection types, or distributors approved for Ex Zone 1.

### General ordering data

Type	SAI-8-F 5P 15M 0.5/1.0U
Order No.	<a href="#">1784510000</a>
Version	Sensor-actuator passive distributor, M12, Fixed cable version, 15 m, Yes
GTIN (EAN)	4032248190706
Qty.	1 pc(s).

## SAI-8-F 5P 15M 0.5/1.0U

**Weidmüller Interface GmbH & Co. KG**  
 Klingenbergstraße 16  
 D-32758 Detmold  
 Germany  
 Fon: +49 5231 14-0  
 Fax: +49 5231 14-292083  
 www.weidmueller.com

## Technische Daten

### Dimensions and weights

Height	25 mm	Net weight	3,922 g
--------	-------	------------	---------

### General data

Number of contact sockets	8	Fire behaviour	V-0
Contact tube diameter	M12	No. of poles	5
Plugging cycles	≤ 50	Pollution severity	3
Distributor outlet	Fixed cable version	Insulation resistance	10 <sup>9</sup> Ω
Rated voltage , max.	30 V	Rated voltage , min.	10 V
Electrical isolation available	No	Test voltage	1 kV
Current per signal	2 A	Total current	9 A
Max. current-carrying capacity per slot	4 A	Housing main material	Pocan
Housing colour	grey, RAL 7032	Screw socket	CuZn, nickel-plated
Hood sealing material	Viton	Contact material	CuZn
Contact surface	Gold-plated	Contact carrier material	PBT (UL 94 V0)
Sheathing stripping length	100 mm	Cable length	15 m
Conductor O.D.	-	Suitable for cable carriers	Yes
Armoured line	16 x 0.5 mm <sup>2</sup> + 3 x 1 mm <sup>2</sup>	LED initiator	Yes
LED	Yes	LED colour for indicating operation	green
LED colour for I/O function	yellow		

### Classifications

ETIM 3.0	EC001856	UNSPSC	30-21-18-01
eClass 6.2	27-06-91-90	eClass 7.1	27-06-91-90

### Approvals

Approvals



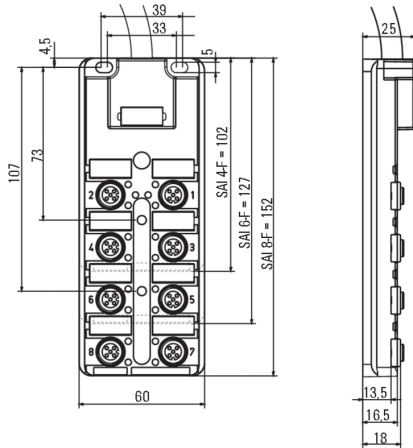
ROHS Conform

**SAI-8-F 5P 15M 0.5/1.0U**

**Weidmüller Interface GmbH & Co. KG**  
 Klingenbergstraße 16  
 D-32758 Detmold  
 Germany  
 Fon: +49 5231 14-0  
 Fax: +49 5231 14-292083  
 www.weidmueller.com

**Zeichnungen**

**Dimensioned drawing**



**Circuit diagram**

