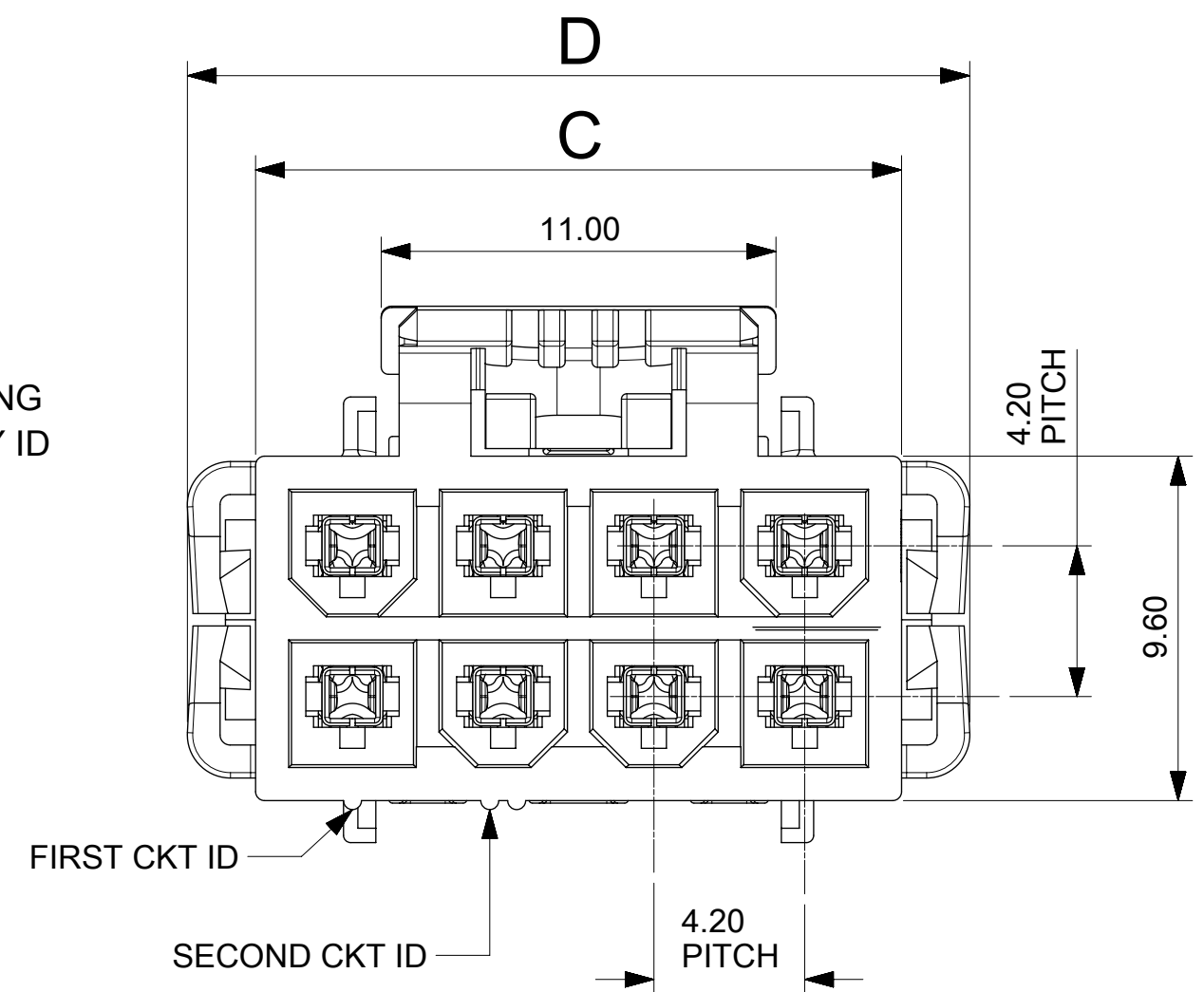
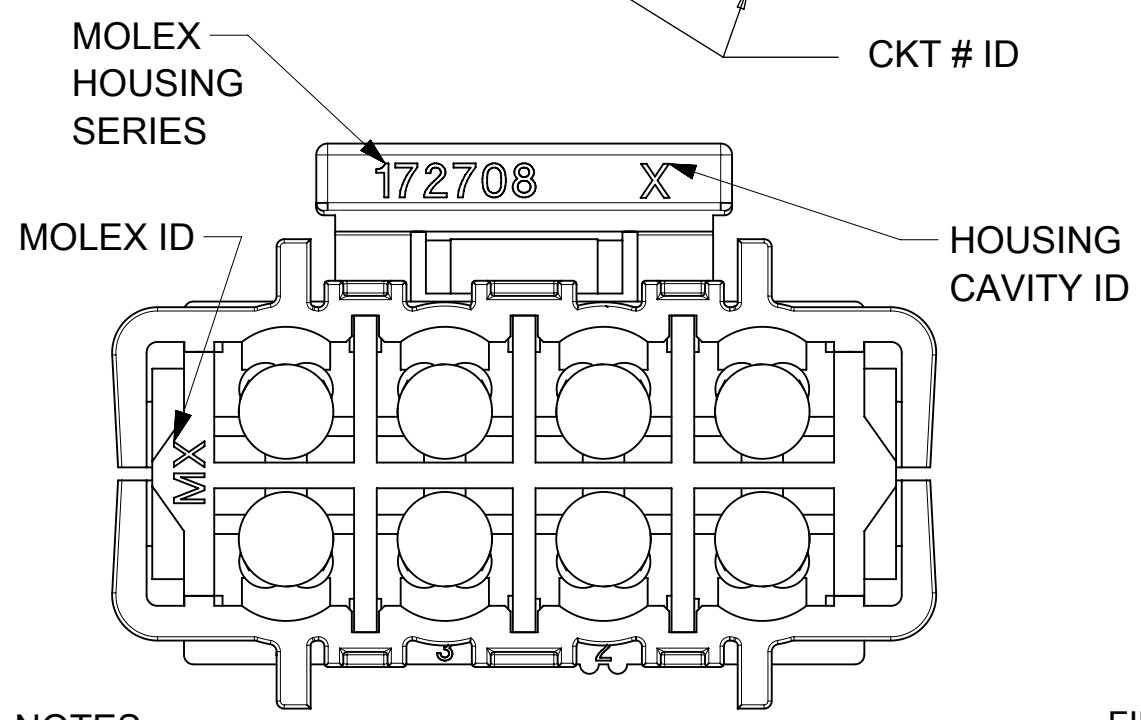
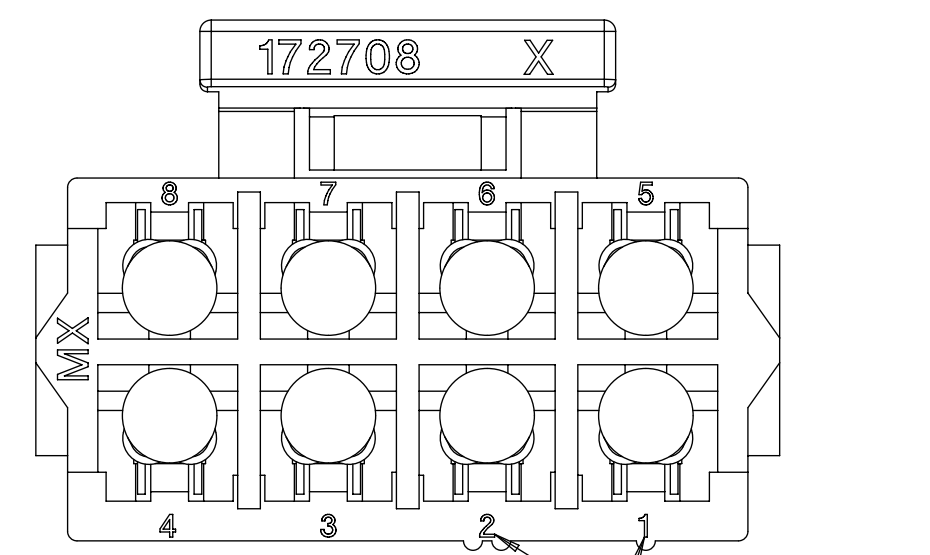


BEFORE TPA ASSEMBLY



- NOTES:
- MATERIAL:
'A' = NYLON V-0 LOW HALOGEN; COLOR: BLACK
'B' = NYLON V-2 GLOW WIRE CAPABLE; COLOR: BLACK
'C' = NYLON V-2; COLOR: BLACK
 - FINISH: NONE
 - PRODUCT SPECIFICATION: PS-172718-0000 and 2029880001-PS
APPLICATION SPECIFICATION: AS-172718-0000
 - PACKAGING SPECIFICATION: BULK
PK-172708-0000
 - THIS PART TO BE USED WITH FEMALE TERMINAL SERIES 172718, 202988 AND TPA SERIES 172709.
 - THIS PART MATES WITH SERIES 5559, 5566, 5569, 172762 AND 172767.
 - THIS PART CONFORMS TO CLASS 'B' REQUIREMENTS OF COSMETIC SPECIFICATION PS-45499-002.
 - THIS PRODUCT MUST BE USED WITH THE TPA INSTALLED.
 - SEE DRAWING SD-172709-0000 AND 1727090001-SD FOR OTHER TPA INFORMATION.
 - SEE DRAWINGS SD-172718-0000 and 2029880001-PSD FOR OTHER CRIMP TERMINAL INFORMATION.

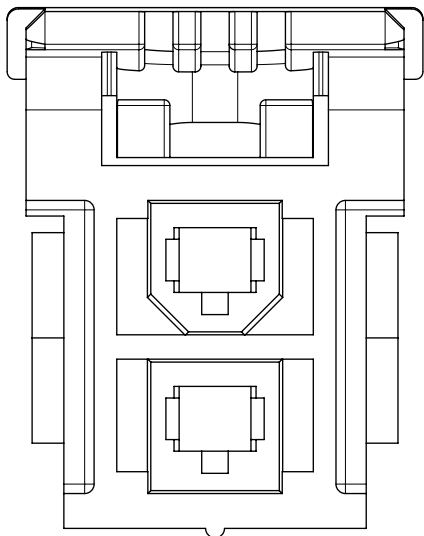
THIS DRAWING CONTAINS INFORMATION THAT IS PROPRIETARY TO MOLEX ELECTRONIC TECHNOLOGIES, LLC AND SHOULD NOT BE USED WITHOUT WRITTEN PERMISSION									
DIMENSION UNITS		SCALE		CURRENT REV DESC: NEW TPA UPDT S1 & S2					
mm		5:1		molex HOUSING, DUAL ROW RECEPTACLE MINI-FIT TPA2 PRODUCT CUSTOMER DRAWING DOCUMENT NUMBER: SD-172708-0000 DOC TYPE: PSD DOC PART: 000 REVISION: H5 MATERIAL NUMBER: SEE TABLE CUSTOMER: GENERAL MARKET SHEET NUMBER: 1 OF 4					
GENERAL TOLERANCES (UNLESS SPECIFIED)									
ANGULAR TOL		± °							
4 PLACES		±							
3 PLACES		±							
2 PLACES		± 0.13		EC NO: 604403		DRWN: SGANGADHARDO 2018/09/13		CHK'D: SGANGADHARDO 2018/09/13	
1 PLACE		± 0.2		INITIAL REVISION:		DRWN: TGREGORI 2014/09/10		APPR: RHODGE 2014/12/04	
0 PLACES		±		DRAFT WHERE APPLICABLE MUST REMAIN WITHIN DIMENSIONS		THIRD ANGLE PROJECTION		DRAWING SERIES: C-SIZE 172708	

PART NUMBER	CKTS	DIM C	DIM D	MATERIAL
172708-0002	2	8.00	11.80	A
172708-0102				B
172708-0202				C
172708-0004	4	9.60	13.40	A
172708-0104				B
172708-0204				C
172708-0006	6	13.80	17.60	A
172708-0106				B
172708-0206				C
172708-0008	8	18.00	21.80	A
172708-0108				B
172708-0208				C
172708-0010	10	22.20	26.00	A
172708-0110				B
172708-0210				C
172708-0012	12	26.40	30.20	A
172708-0112				B
172708-0212				C

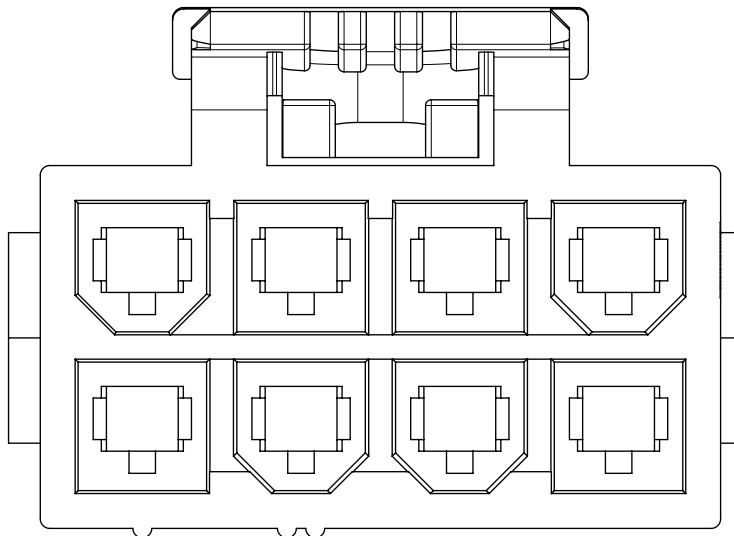
POLARIZATION DETAIL

SHOWN WITHOUT TPA OR TERMINAL FOR CLARITY

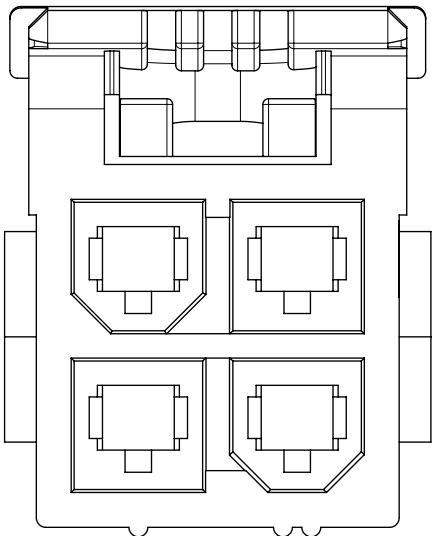
2 CKT



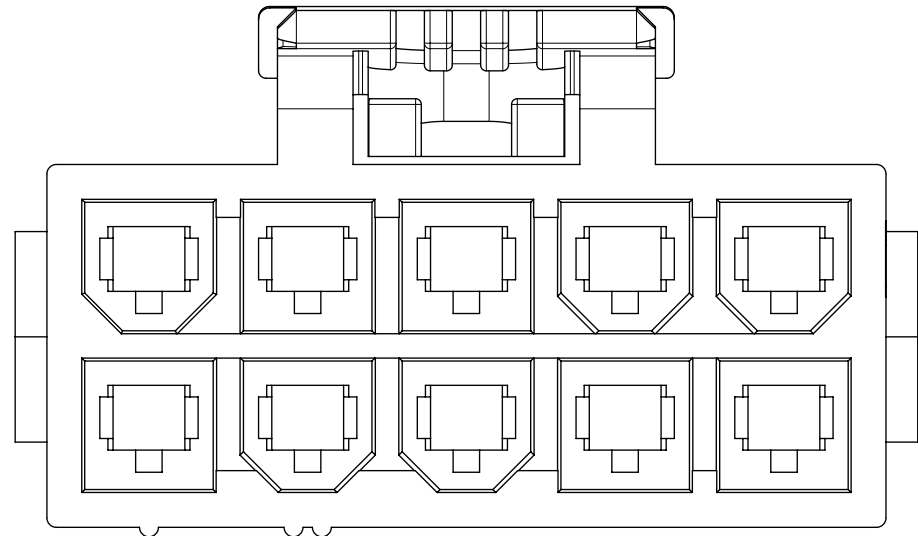
8 CKT



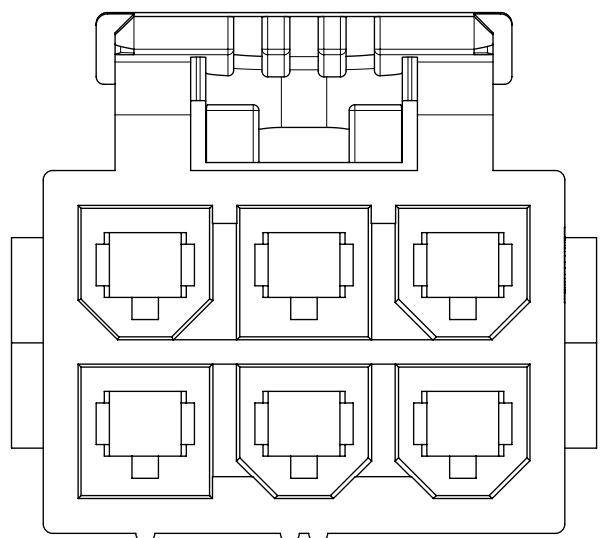
4 CKT



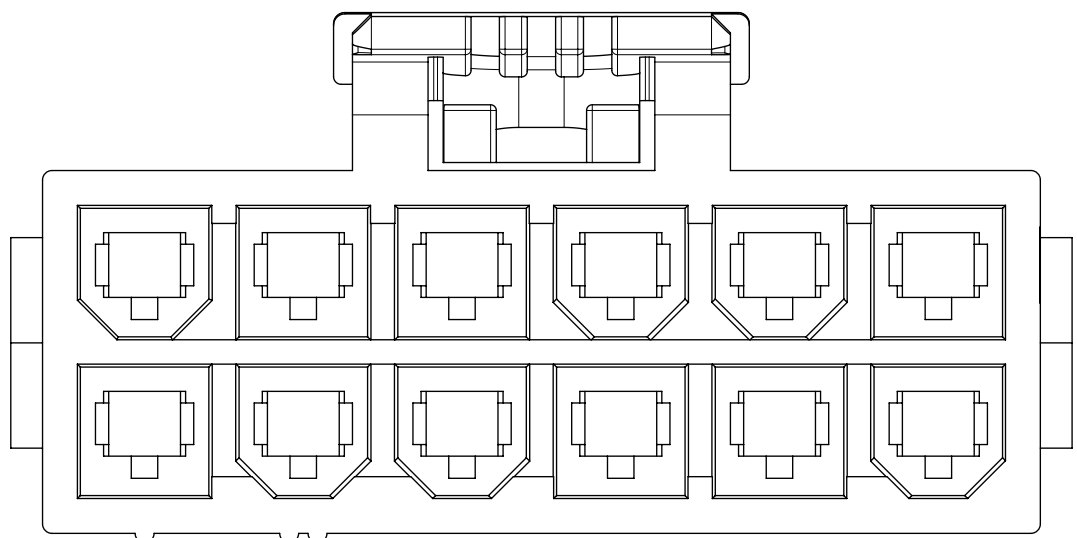
10 CKT



6 CKT

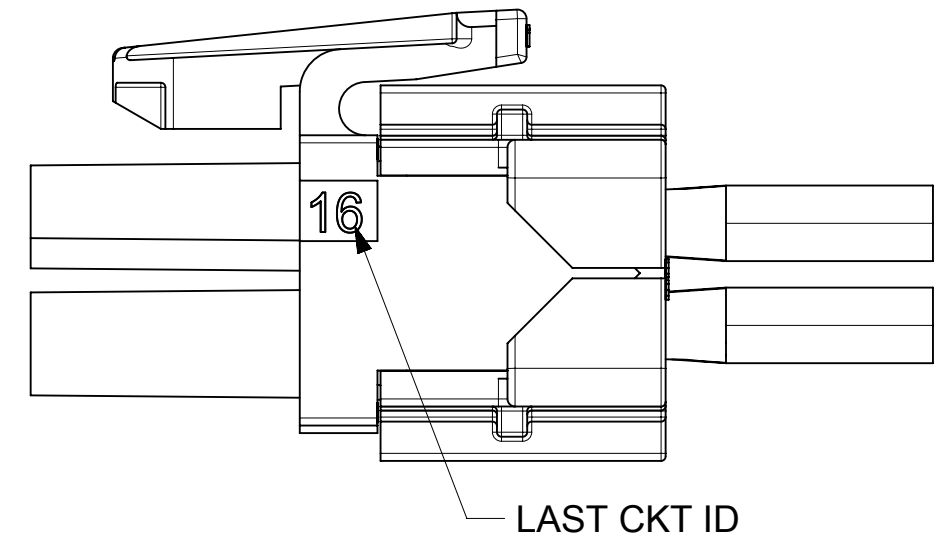
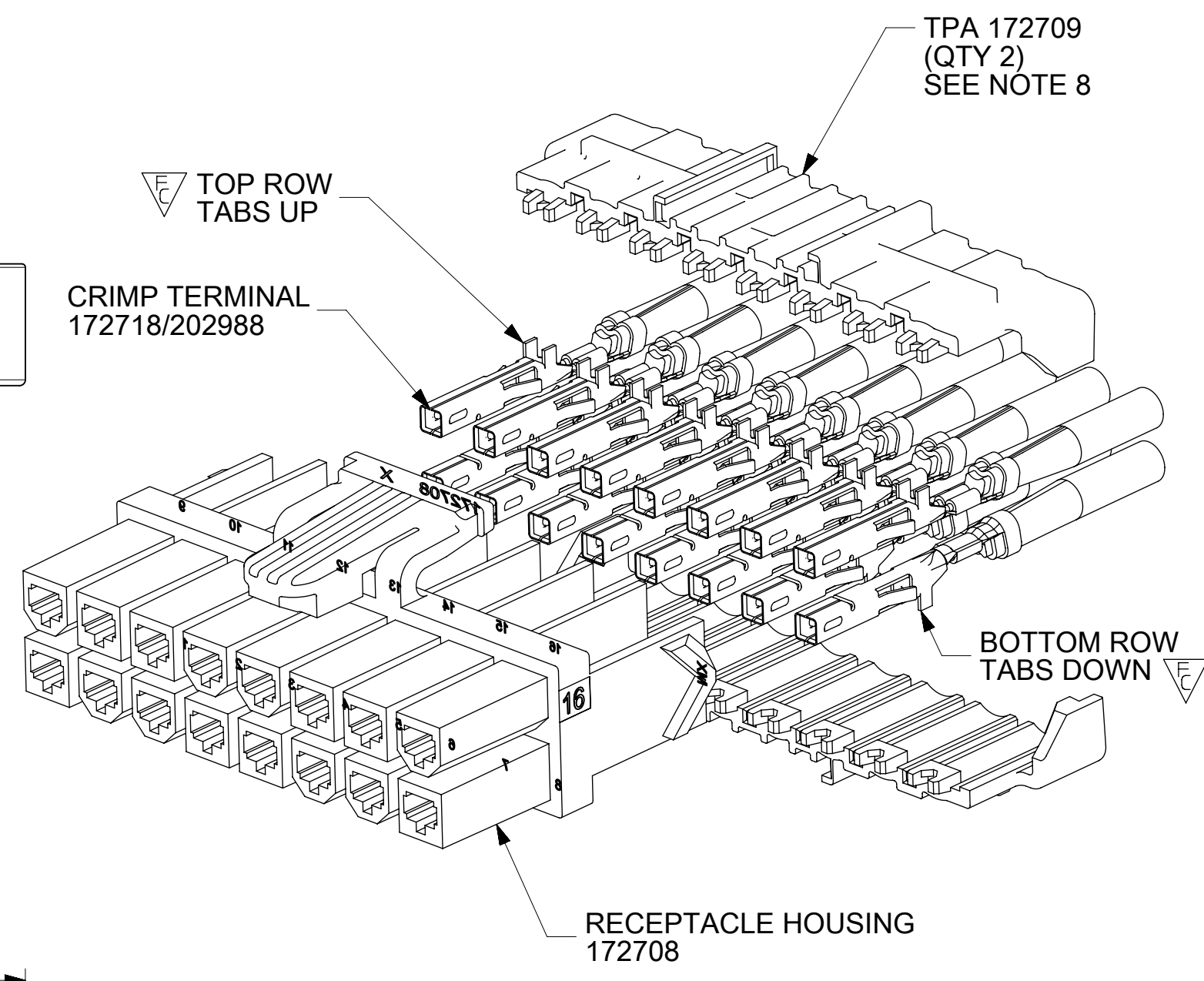
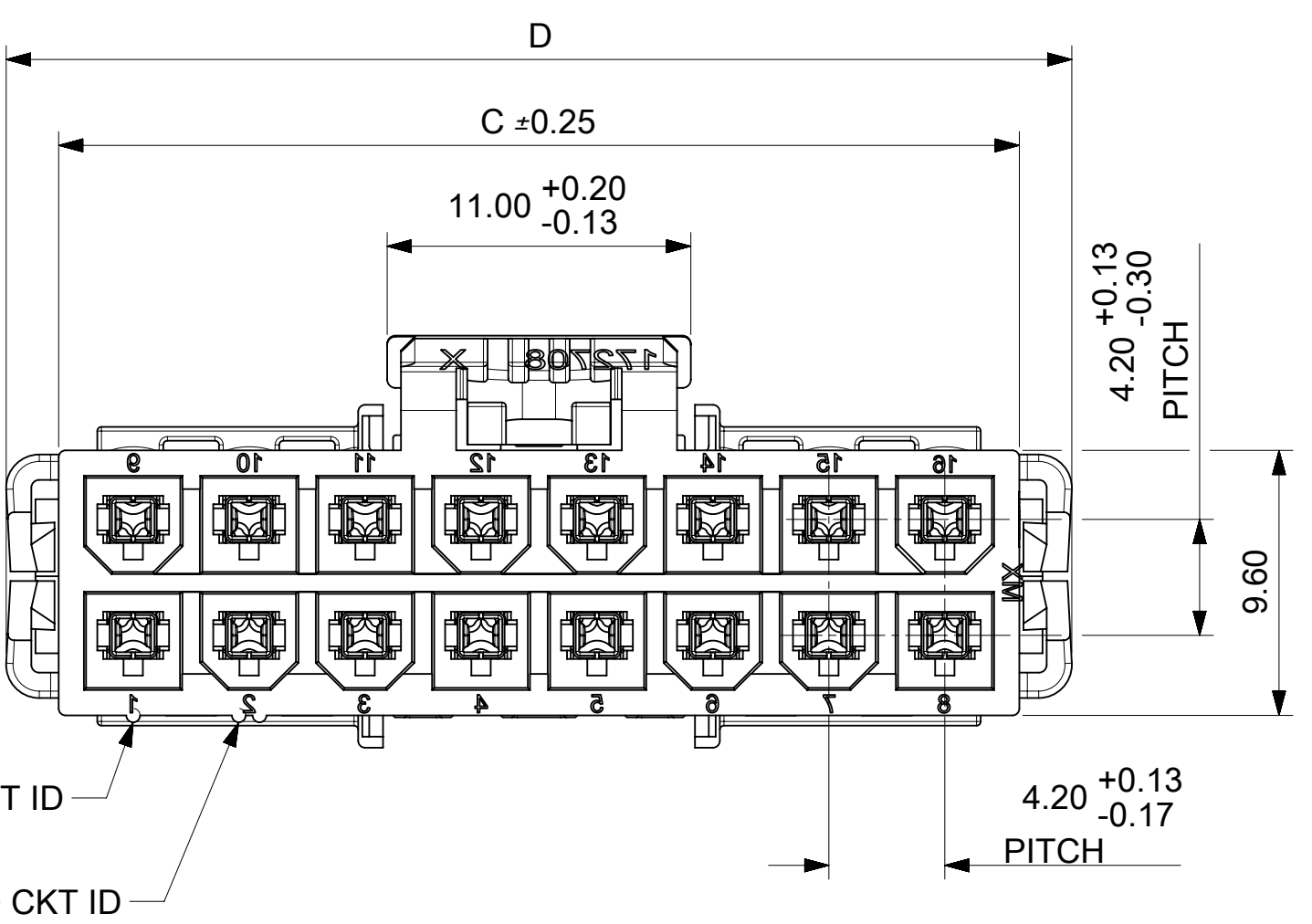
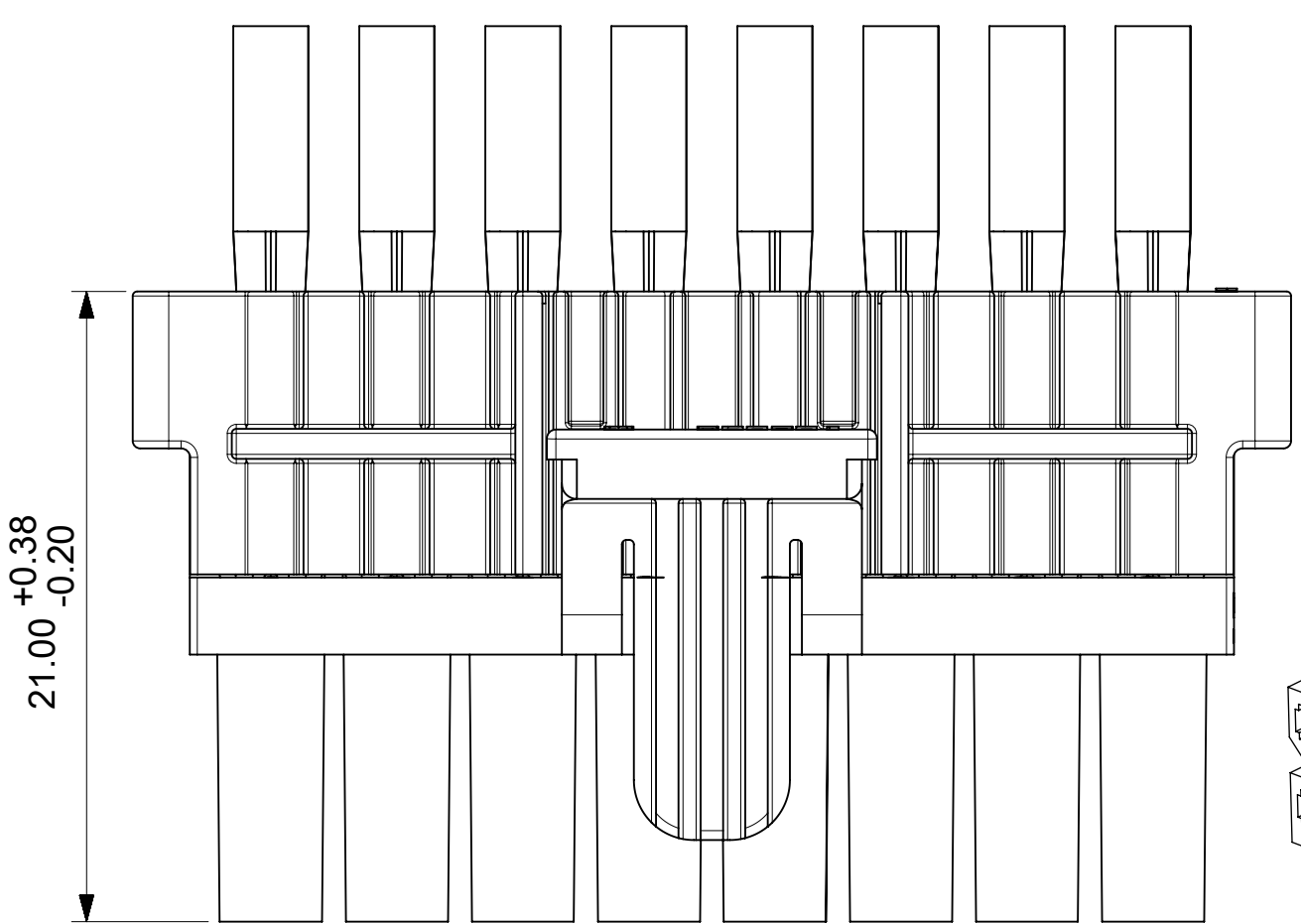
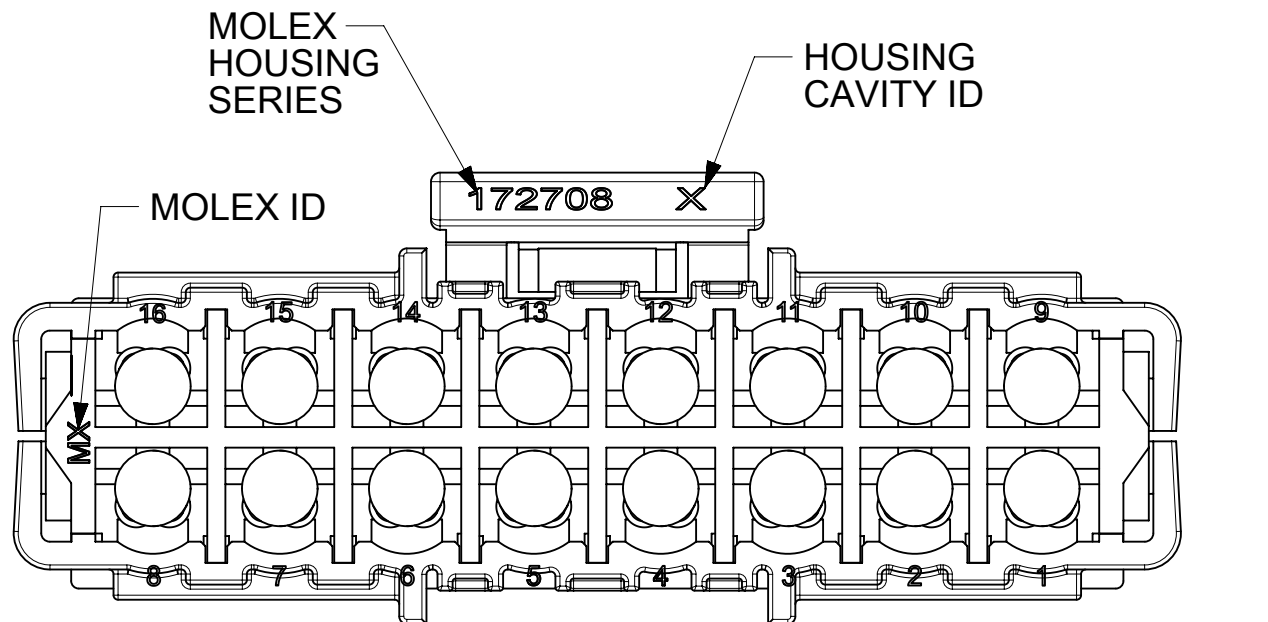
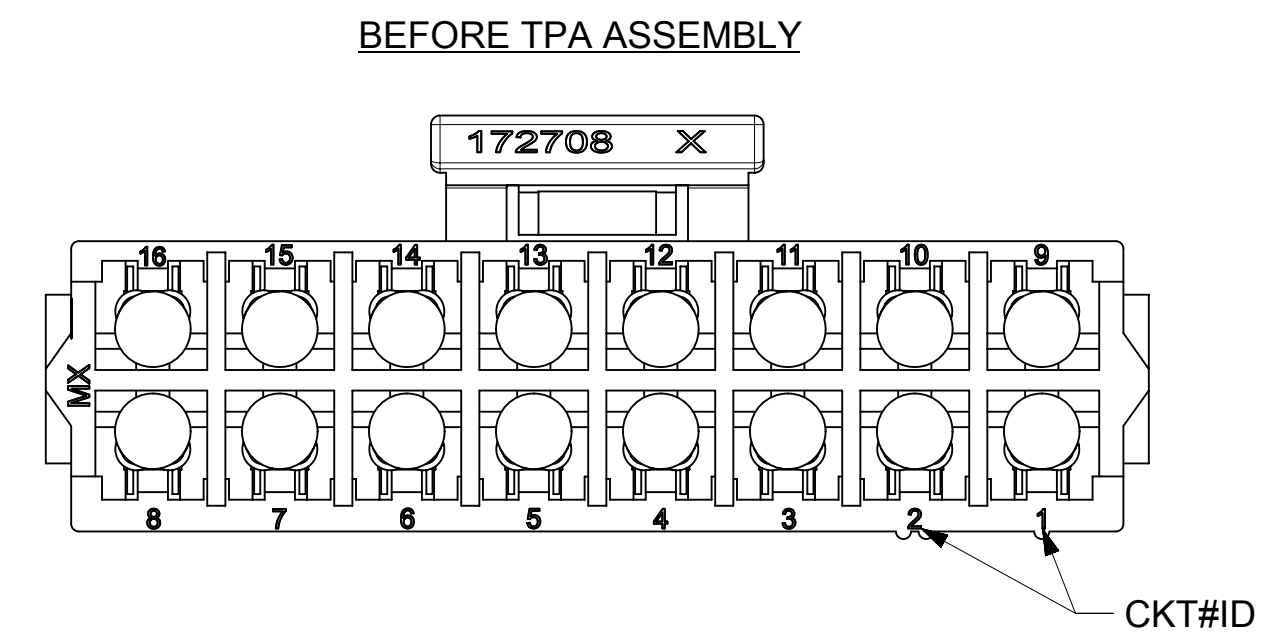


12 CKT



THIS DRAWING CONTAINS INFORMATION THAT IS PROPRIETARY TO MOLEX ELECTRONIC TECHNOLOGIES, LLC AND SHOULD NOT BE USED WITHOUT WRITTEN PERMISSION									
DIMENSION UNITS		SCALE		CURRENT REV DESC: NEW TPA UPDT S1 & S2				molex	
mm		5:1							
GENERAL TOLERANCES (UNLESS SPECIFIED)				EC NO: 604403				HOUSING, DUAL ROW RECEPTACLE MINI-FIT TPA2	
ANGULAR TOL		± °		DRWN: SGANGADHARDO 2018/09/13					
4 PLACES		±		CHK'D: SGANGADHARDO 2018/09/13					
3 PLACES		±		APPR: ISHWARG 2018/09/13				PRODUCT CUSTOMER DRAWING	
2 PLACES		± 0.13		INITIAL REVISION:				DOCUMENT NUMBER	
1 PLACE		± 0.2		DRWN: TGREGORI 2014/09/10				SD-172708-0000	
0 PLACES		±		APPR: RHODGE 2014/12/04				DOC TYPE DOC PART REVISION	
DRAFT WHERE APPLICABLE MUST REMAIN WITHIN DIMENSIONS				THIRD ANGLE PROJECTION		DRAWING		SERIES	
						C-SIZE		172708	
MATERIAL NUMBER		CUSTOMER		SHEET NUMBER					
SEE TABLE		GENERAL MARKET		2 OF 4					

DOCUMENT STATUS	P1	RELEASE DATE	2018/09/13	12:31:24
-----------------	----	--------------	------------	----------



- NOTES:**
- MATERIAL:
'A' = NYLON V-0 LOW HALOGEN; COLOR: BLACK
'B' = NYLON V-2 GLOW WIRE CAPABLE; COLOR: BLACK
 - FINISH: NONE
 - PRODUCT SPECIFICATION: PS-172718-0000 and 2029880001-PS
APPLICATION SPECIFICATION: AS-172718-0000
 - PACKAGING SPECIFICATION: BULK
1727080001-PK
REFER TO AS-45499-001 FOR MOISTURIZING NYLON CONNECTOR PARTS.
 - THIS PART TO BE USED WITH FEMALE TERMINAL SERIES 172718, 202988 AND TPA SERIES 172709.
 - THIS PART MATES WITH SERIES 5559, 5566, 5569 AND 172767.
 - THIS PART CONFORMS TO CLASS 'B' REQUIREMENTS OF COSMETIC SPECIFICATION PS-45499-002.
 - THIS PRODUCT MUST BE USED WITH THE TPA INSTALLED.
 - SEE DRAWING 1727090001-SD FOR OTHER TPA INFORMATION.
 - SEE DRAWINGS SD-172718-0000 and 2029880001-PSD FOR OTHER CRIMP TERMINAL INFORMATION.

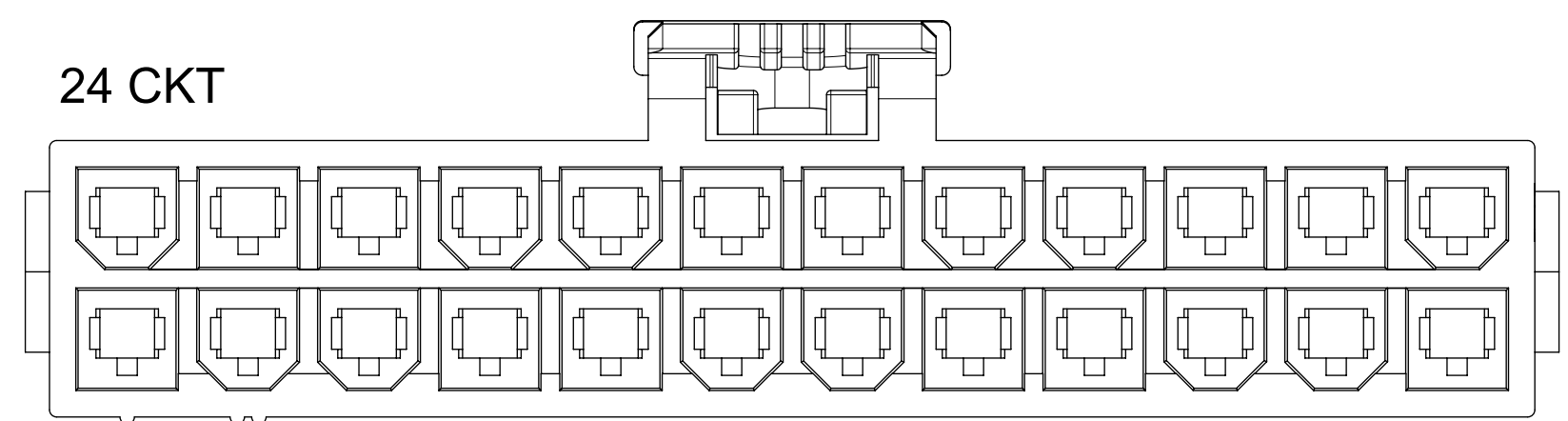
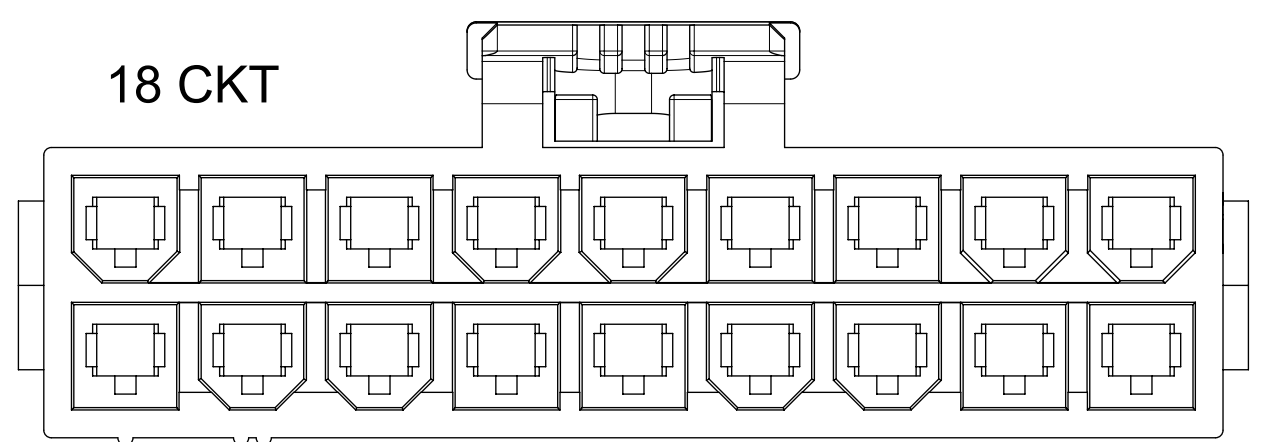
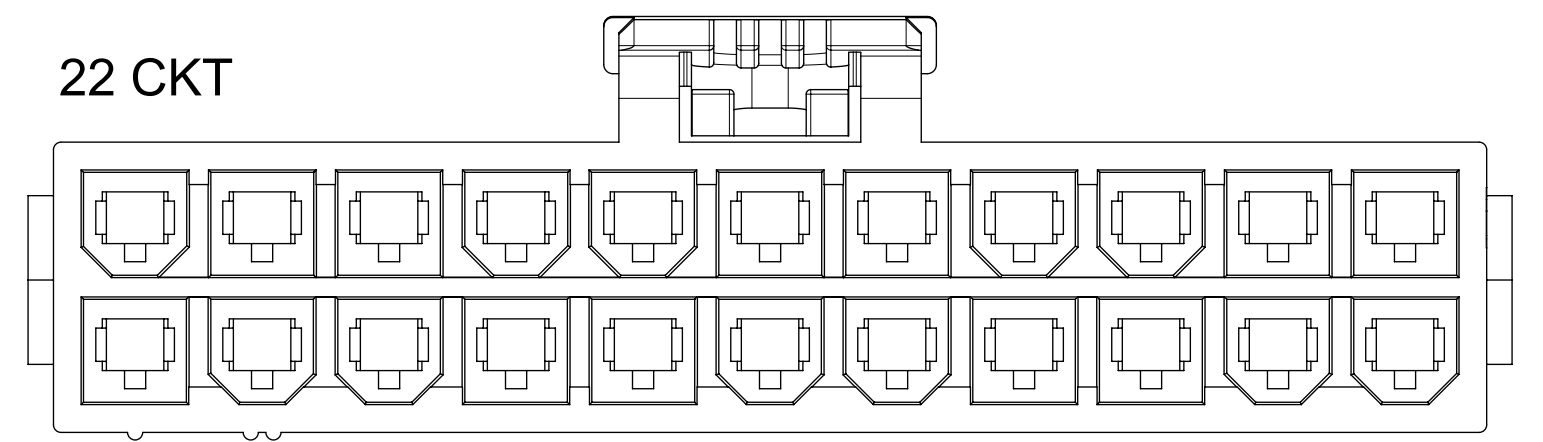
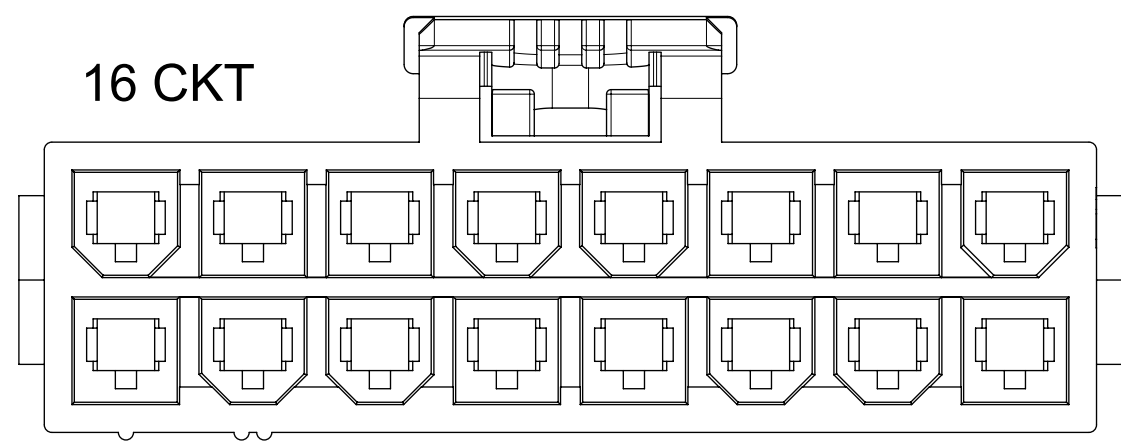
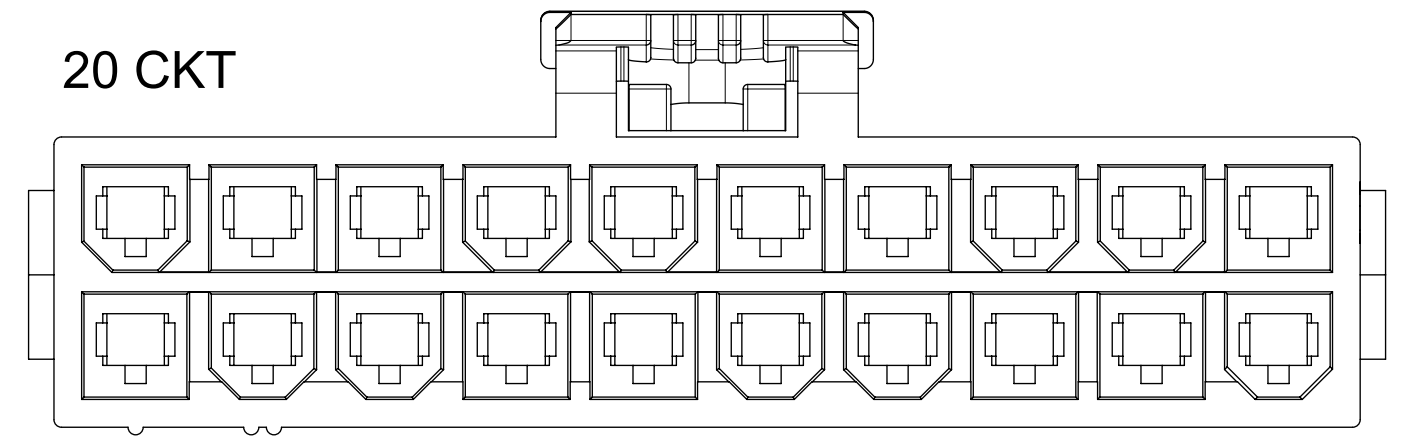
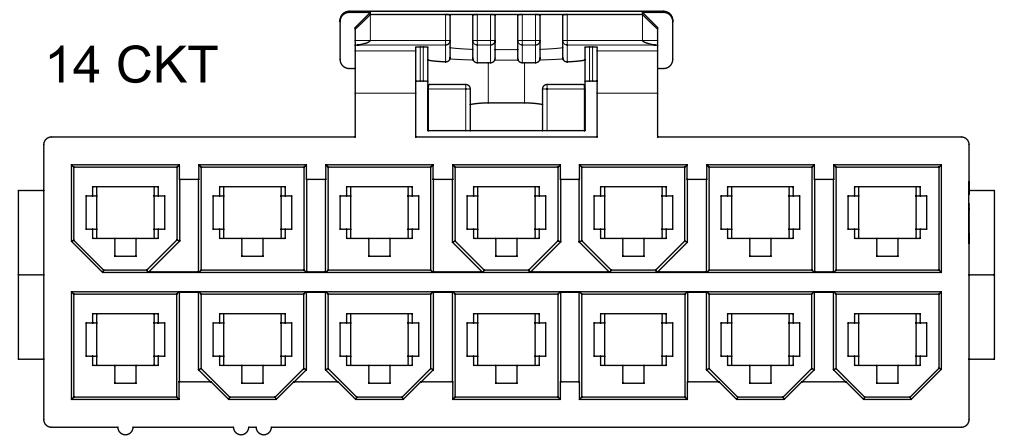
THIS DRAWING CONTAINS INFORMATION THAT IS PROPRIETARY TO MOLEX ELECTRONIC TECHNOLOGIES, LLC AND SHOULD NOT BE USED WITHOUT WRITTEN PERMISSION																	
DIMENSION UNITS	SCALE	CURRENT REV DESC: NEW TPA UPDT S1 & S2															
mm	5:1	<p>HOUSING, DUAL ROW RECEPTACLE MINI-FIT TPA2</p> <p>PRODUCT CUSTOMER DRAWING</p> <table border="1"> <tr> <td>DOCUMENT NUMBER</td> <td>DOC TYPE</td> <td>DOC PART</td> <td>REVISION</td> </tr> <tr> <td>SD-172708-0000</td> <td>PSD</td> <td>000</td> <td>H5</td> </tr> </table>								DOCUMENT NUMBER	DOC TYPE	DOC PART	REVISION	SD-172708-0000	PSD	000	H5
DOCUMENT NUMBER	DOC TYPE									DOC PART	REVISION						
SD-172708-0000	PSD									000	H5						
GENERAL TOLERANCES (UNLESS SPECIFIED)																	
ANGULAR TOL	± °																
4 PLACES	±																
3 PLACES	±																
2 PLACES	± 0.13																
1 PLACE	± 0.2																
0 PLACES	±																
DRAFT WHERE APPLICABLE MUST REMAIN WITHIN DIMENSIONS	THIRD ANGLE PROJECTION	DRAWING	SERIES	MATERIAL NUMBER	CUSTOMER	SHEET NUMBER											
		C-SIZE	172708	SEE TABLE	GENERAL MARKET	3 OF 4											



DOCUMENT STATUS	P1	RELEASE DATE	2018/09/13	12:31:24
-----------------	----	--------------	------------	----------

PART NUMBER	CKTS	DIM C	DIM D	MATERIAL
1727080014	14	30.60	34.40	A
1727080114				B
1727080016	16	34.80	38.60	A
1727080116				B
1727080018	18	39.00	42.80	A
1727080118				B
1727080020	20	43.20	47.00	A
1727080120				B
1727080022	22	47.40	51.20	A
1727080122				B
1727080024	24	51.60	55.40	A
1727080124				B

POLARIZATION DETAIL

SHOWN WITHOUT TPA OR TERMINAL FOR CLARITY



THIS DRAWING CONTAINS INFORMATION THAT IS PROPRIETARY TO MOLEX ELECTRONIC TECHNOLOGIES, LLC AND SHOULD NOT BE USED WITHOUT WRITTEN PERMISSION																	
DIMENSION UNITS		SCALE		CURRENT REV DESC: NEW TPA UPDT S1 & S2													
mm		5:1		 <p>HOUSING, DUAL ROW RECEPTACLE MINI-FIT TPA2</p> <p>PRODUCT CUSTOMER DRAWING</p> <table border="1"> <tr> <td>DOCUMENT NUMBER</td> <td>DOC TYPE</td> <td>DOC PART</td> <td>REVISION</td> </tr> <tr> <td>SD-172708-0000</td> <td>PSD</td> <td>000</td> <td>H5</td> </tr> </table>						DOCUMENT NUMBER	DOC TYPE	DOC PART	REVISION	SD-172708-0000	PSD	000	H5
DOCUMENT NUMBER	DOC TYPE	DOC PART	REVISION														
SD-172708-0000	PSD	000	H5														
GENERAL TOLERANCES (UNLESS SPECIFIED)										EC NO: 604403		DRWN: SGANGADHARDO 2018/09/13		DRWN: TGGREGORI 2014/09/10			
ANGULAR TOL		± °								CHK'D: SGANGADHARDO 2018/09/13		APPR: ISHWARG 2018/09/13		APPR: RHODGE 2014/12/04			
4 PLACES		±		INITIAL REVISION:		DRWN: TGGREGORI 2014/09/10		APPR: RHODGE 2014/12/04									
3 PLACES		±		INITIAL REVISION:		DRWN: TGGREGORI 2014/09/10		APPR: RHODGE 2014/12/04									
2 PLACES		± 0.13		INITIAL REVISION:		DRWN: TGGREGORI 2014/09/10		APPR: RHODGE 2014/12/04									
1 PLACE		± 0.2		INITIAL REVISION:		DRWN: TGGREGORI 2014/09/10		APPR: RHODGE 2014/12/04									
0 PLACES		±		INITIAL REVISION:		DRWN: TGGREGORI 2014/09/10		APPR: RHODGE 2014/12/04									
DRAFT WHERE APPLICABLE MUST REMAIN WITHIN DIMENSIONS				THIRD ANGLE PROJECTION		DRAWING		SERIES									
						C-SIZE		172708									
DOCUMENT STATUS		P1		RELEASE DATE		2018/09/13 12:31:24		MATERIAL NUMBER									
								SEE TABLE									
								CUSTOMER									
								GENERAL MARKET									
								SHEET NUMBER									
								4 OF 4									