

# Keylock Switch

## Features

- Silver plated contacts and terminals
- Positive detent
- RoHS / REACH compliant
- Hex nut mounted
- 100 combinations available
- Key withdrawals in one position



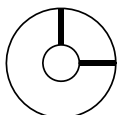
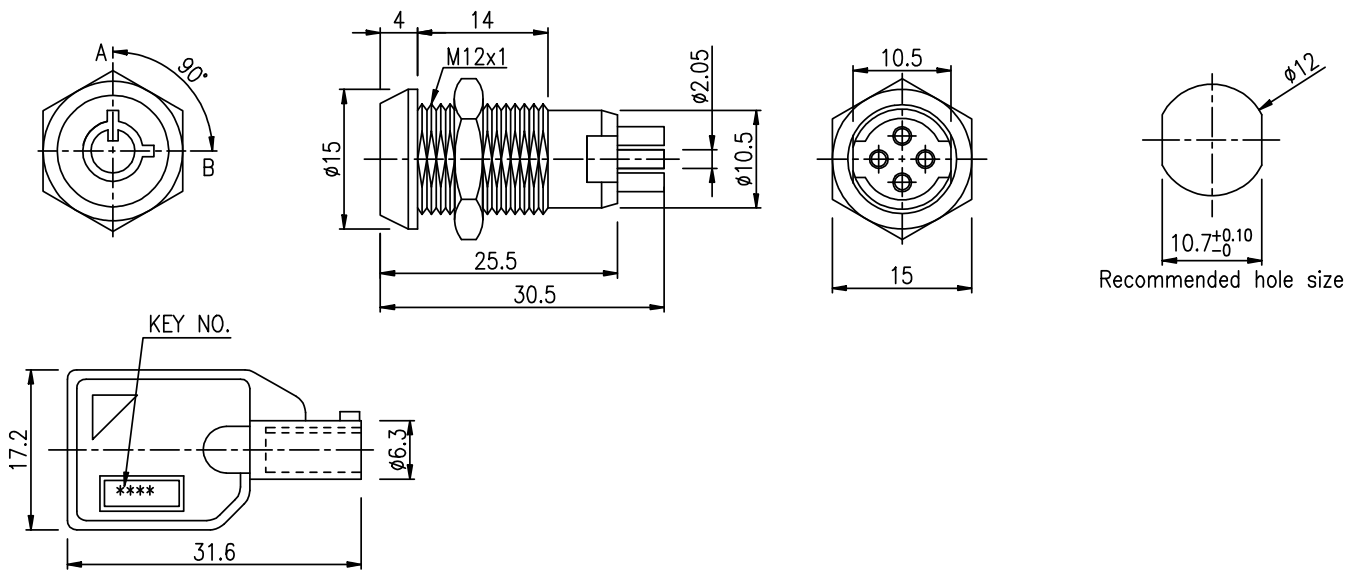
## Specification

Switching Configuration	1CO
Current Rating	200 mA
Contact Voltage	125 VAC
Number of Positions	2 Positions (ON-ON)
Number of Terminals	4 Terminals
Contact Resistance	50 mOhm max.
Insulation Resistance	100 MOhm min. (500 VDC)
Dielectric Strength	800 VAC 1 min.

## Material Specification

Housing and Cylinder	Die Cast Zinc Alloy, Nickel Plated
Keys	Zinc Alloy, Nickel Plated
Terminals	Silver Plated
Contacts	Silver Plated

## Drawing



KEY-PULL FIGURES  
 I - Indicates key-pull

Art. Nr.  
**RND 210-00800**