

2 mm Banana (female) Jack (socket)



Features

Solder wire attachment

Applications

Ideal for panel mounting, round nut fixing



Specification

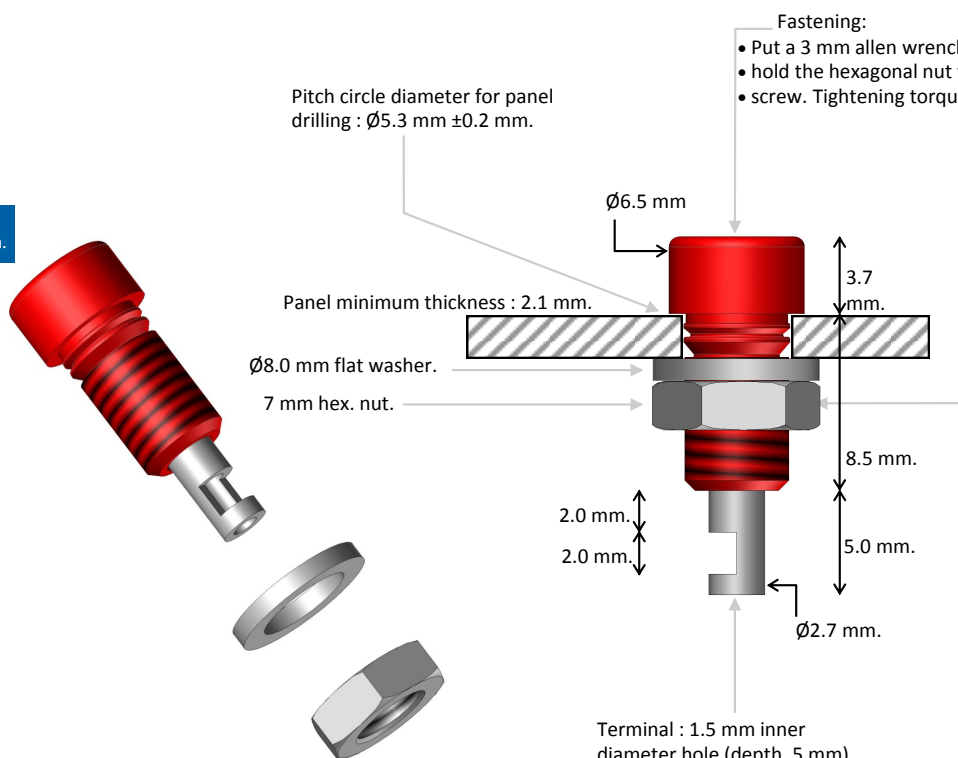
| | |
|-----------------------|----------------------|
| Electrical protection | 33V AC/ 70V DC, 10 A |
| Max panel thickness | 5 mm |

Pitch circle diameter for panel drilling : $\varnothing 5.3 \text{ mm} \pm 0.2 \text{ mm}$.

Fastening:

- Put a 3 mm allen wrench into the 2 mm banana female connection,
- hold the hexagonal nut with a 7 mm open-end wrench, and
- screw. Tightening torque, 2.3 N.m maxi.

IP2X touchproof 2 mm banana female connection.



Terminal : 1.5 mm inner diameter hole (depth, 5 mm) complying with lead-free tin soldering and 150 Watts maximum soldering iron.

| RND Part Nr. | Colour |
|---------------|--------|
| RND 350-00021 | Black |
| RND 350-00022 | Yellow |
| RND 350-00023 | Red |
| RND 350-00024 | Blue |
| RND 350-00025 | Green |