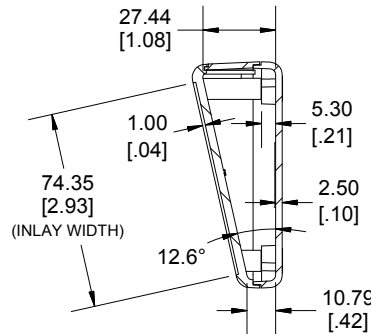
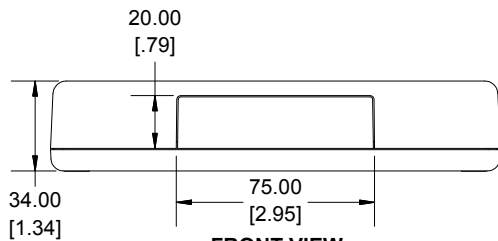
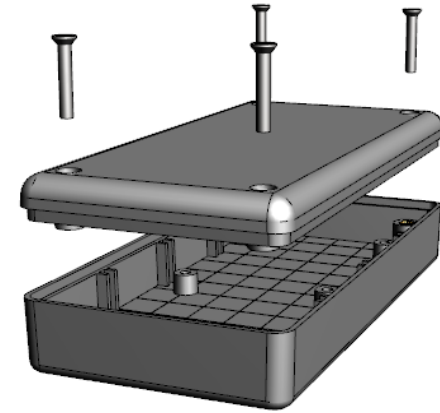


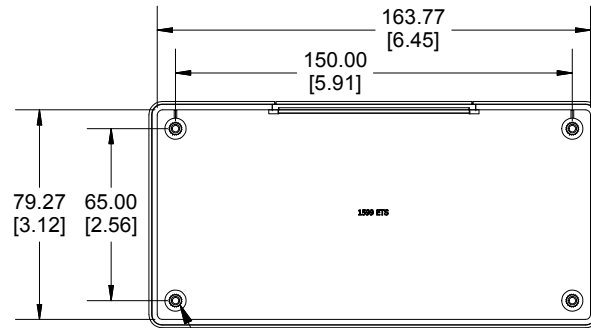
TOP VIEW



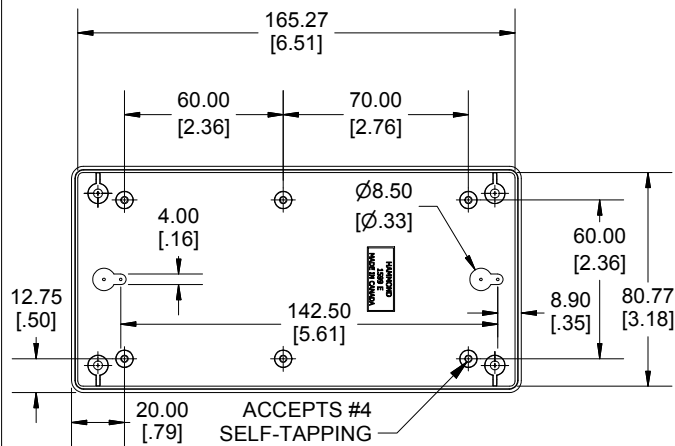
**SECTION A-A
END VIEW**



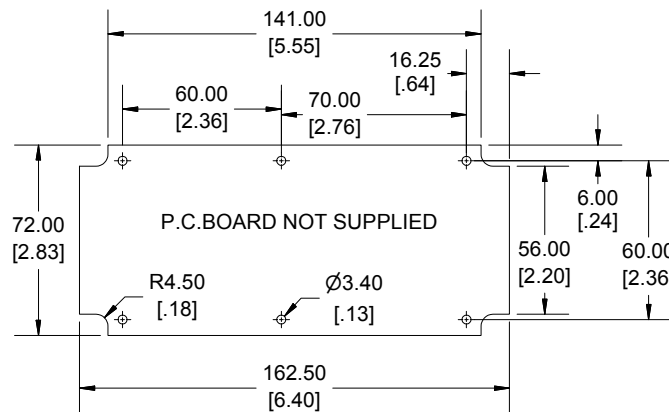
FRONT VIEW



**ACCEPTS
M3-0.5 SCREW
INSIDE LID**



INSIDE BOX



MAXIMUM P.C. BOARD

Enclosures can be Factory Modified (Milling, Drilling, Printing etc.)
 Contact Factory mjm@hammondmfg.com for quotes
 Solid models of this enclosure available in STEP or IGES.
 (Part number and text placement/orientation on our products are subject to change,
 we do not recommend using them as a locating reference for modification purposes)

NOTE

Purchased assembly includes box, lid, front panel and 4 cover screws. Box and Lid are made from Flame retardant ABS with a UL flammability rating of 94 V-0

Recommended Torque: 42-57 ozf.in (30-40 cN.m)

PART NUMBERS

1599ETS Fire Retardant ABS

Black FR-ABS	1599ETSBK
Grey FR-ABS	1599ETSGY

ACCESSORIES

Cover Screws (Pkg 100)	1599HMS100 (Grey)
[M3 - 0.5 x 12mm Machine Screws]	1599HMS100BK (Black)
P.C Board Screws (Pkg of 50 or 100)	1593ATS50
[#4 x 1/4" Pan Head Self Tapping Screws]	1593ATS100
Nylon Belt Clip	1599CLIP (Black)
	1599CLIPGY (Grey)

Dimensions:
mm
[inches]

