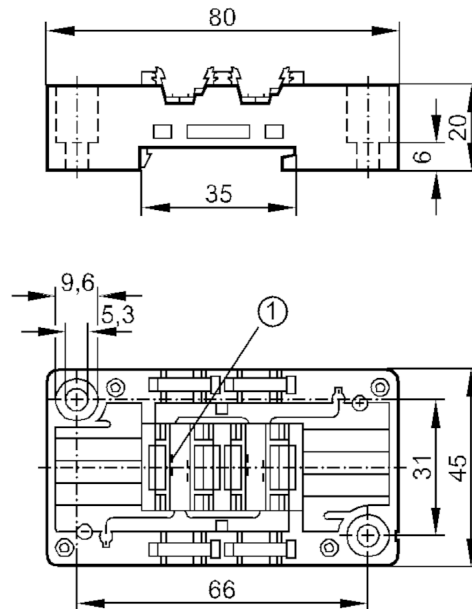


AC5000



Lower part for AS-Interface module

ASI-MODUL-UNTERTEIL FK



1 contact pins



Electrical data

Operating voltage [V] 26.5...31.6 DC

Outputs

Electrical design AS-i

Contact rating < 2 A

Operating conditions

Ambient temperature [°C] -25...85

Protection IP 67; (depending on the upper part used: IP 20 / IP 65 / IP 67)

Mechanical data

Weight [g] 58.7

Type of mounting mounting on DIN rail and panel

Dimensions [mm] 45 x 80 x 20

Materials PBT

Remarks

Pack quantity 1 pcs.

Electrical connection

contact pins in module upper part :

quick mounting technology for AS-i flat cable: