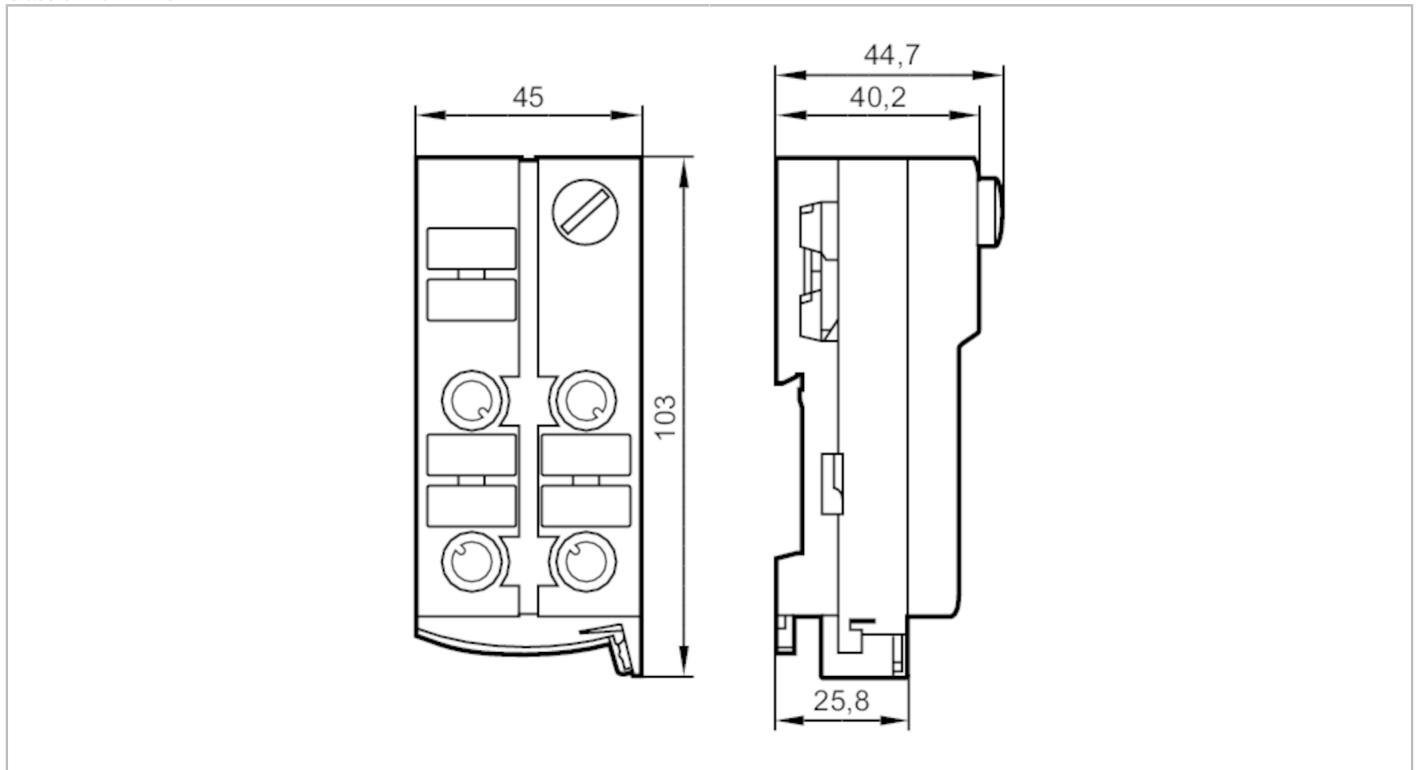


AC505A



AS-Interface ClassicLine module with quick mounting technology

ClassicLine 4DI II 3D



Electrical data	
Operating voltage [V]	26.5...31.6 DC
Max. current consumption from AS-i [mA]	250
Inputs / outputs	
Number of inputs and outputs	Number of digital inputs: 4
Inputs	
Number of digital inputs	4
Input circuit of digital inputs	PNP
Sensor supply of the inputs	AS-i
Voltage supply [V]	18...30; (via flat cable)
Max. total current rating of inputs [mA]	200
Input current High [mA]	6...10
Input current Low [mA]	0...2
Min. switching level high signal [V]	11
Digital inputs protected against short circuits	yes
Operating conditions	
Ambient temperature [°C]	-10...50
Protection	IP 50

AC505A



AS-Interface ClassicLine module with quick mounting technology

ClassicLine 4DI II 3D

Tests / approvals					
ATEX marking	II 3D Ex tc IIIB T80°C Dc X IP50				
EMC	EN 50295				
	IEC 61000-6-2				
MTTF [years]			404		
AS-i classification					
AS-i version	2.11 + 3.0				
AS-i addressing	addressing socket				
Extended addressing mode possible	no				
AS-i profile	S-0.0.E				
AS-i I/O configuration [hex]	0				
AS-i ID code [hex]	0.E				
AS-i certificate pending	yes				
Assignment of the data bits	data bit	D0	D1	D2	D3
	input	1	2	3	4
	socket	I-1	I-2	I-3	I-4
	pin	2+4	2+4	2+4	2+4
Mechanical data					
Weight [g]	227.5				
Type of mounting	AS-i flat cables directly connectable				
Materials	PA; piercing contacts: CuSn6 nickel-plated and tin-plated				
Displays / operating elements					
Display	operation		LED, green		
	errors		LED, red		
	function		LED, yellow		
Accessories					
Accessories (supplied)	lower part				
Accessories (optional)	Protective cap: M12, E73004				
	Impact protection housing, E7000A				
Remarks					
Remarks	Mechanical protection has to be implemented.				
	Otherwise the unit must be installed together with the impact protection housing (E7000A).				
	Do not connect any of the following points to an external potential: I-, I+, I1, I2, I3, I4				
Pack quantity	The connections are electrically connected with the AS-i cable.				
	1 pcs.				

AC505A



AS-Interface ClassicLine module with quick mounting technology

ClassicLine 4DI II 3D

Electrical connection

quick mounting technology for AS-i flat cable: ; three orientations possible

	Inputs
1	Sensor supply L+
2+4	data input internally bridged
3	Sensor supply L-
5	not used

Connector: 4 x M12

