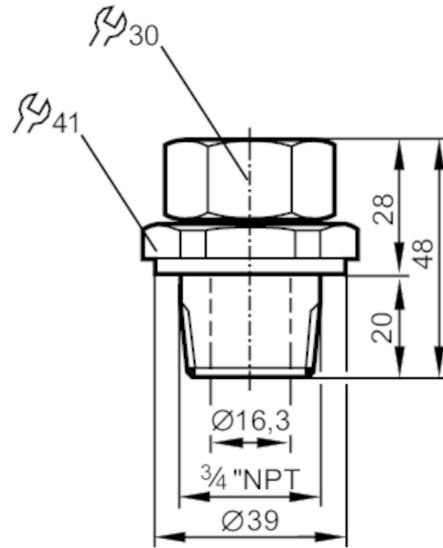


# E43012



## Mounting adapter for level sensors

MOUNTING ADAPTER NPT3/4/D16



Application	
Design	for capacitive level sensors LK, LI, LT, LL
Pressure rating [bar]	0.5
Operating conditions	
Ambient temperature [°C]	0...80
Mechanical data	
Weight [g]	259
Materials	flange: stainless steel; Lock nut: stainless steel; spacer: brass; clamping ring: FKM
Tightening torque [Nm]	6...9
Process connection	$3/4$ NPT
Remarks	
Pack quantity	1 pcs.