

EVT410



Connecting cable with socket

ADOAH050VAS0005L05



Application

Special feature	Free from silicone; Gold-plated contacts; Screened cable; Drag chain suitability
Application	hygienic and wet areas in the food industry
Free from silicone	yes

Electrical data

Operating voltage	[V]	< 30 AC / < 36 DC
Protection class		III
Max. current load total	[A]	4; (cULus: 3)

Operating conditions

Ambient temperature	[°C]	-25...100
Note on ambient temperature		cULus: ...50
Ambient temperature (moving)	[°C]	5...100
Note on ambient temperature (moving)		cULus: ...50
Protection		IP 65; IP 67; IP 68; IP 69K

EVT410



Connecting cable with socket

ADOAH050VAS0005L05

Mechanical data		
Weight [g]	253.3	
Dimensions [mm]	26.5 x 15.5 x 36.5	
Materials	housing: PVC orange; Sealing: EPDM	
Material nut	stainless steel (1.4404 / 316L)	
Drag chain suitability	yes	
Drag chain suitability	bending radius for flexible use	min. 10 x cable diameter
	travel speed	max. 3.3 m/s for a horizontal travel length of 5 m and max. acceleration of 5 m/s ²
	bending cycles	> 1 Mio.
	torsional strain	± 180 °/m

Remarks	
Pack quantity	1 pcs.

Electrical connection
Cable: 5 m, PVC, orange, Ø 5.2 mm, shielded; 5 x 0.25 mm² (32 x Ø 0.1 mm)

Electrical connection - socket
Connector: 1 x M12, angled; Locking: stainless steel (1.4404 / 316L); Contacts: gold-plated; Tightening torque: 0.6...1.5 Nm;
Shielded connection cable: screen connected

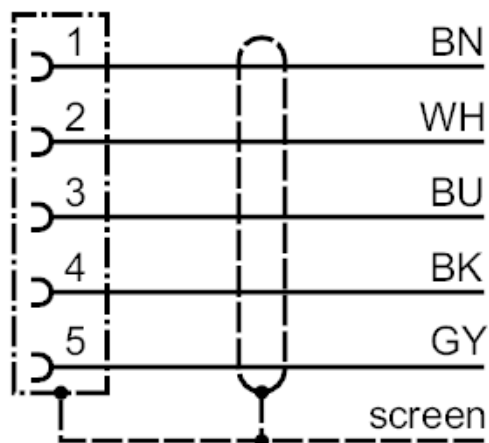




Connecting cable with socket

ADOAH050VAS0005L05

Connection

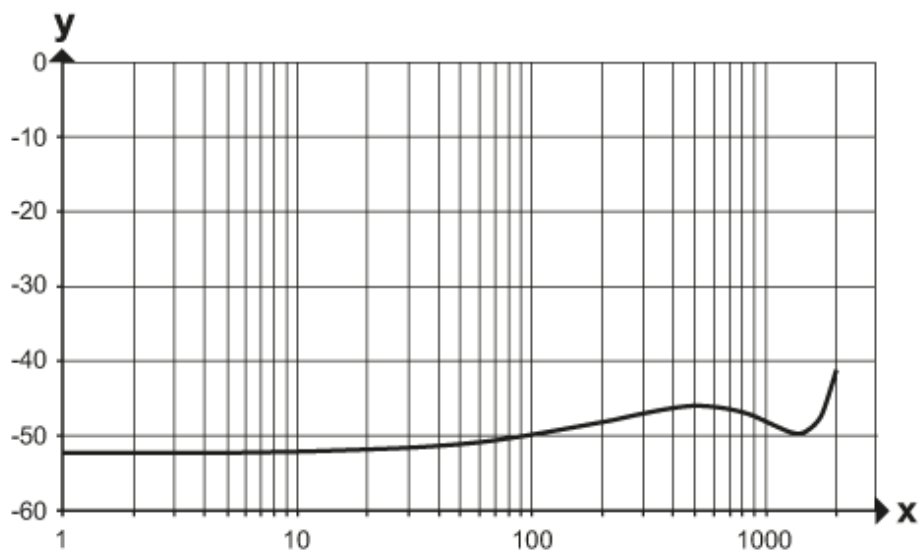


Core colours :

BK =	black
BN =	brown
BU =	blue
GY =	grey
WH =	white

Diagrams and graphs

Shielding characteristics



x Frequency (MHz)
y Shielding characteristics (dB)
according to DIN EN 60512-23-3