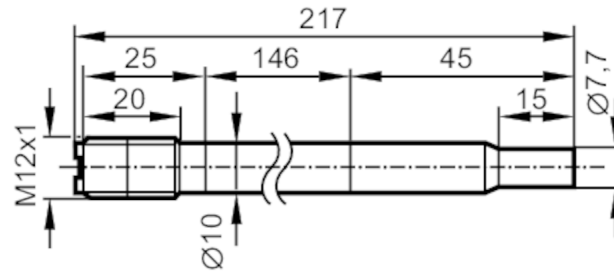


SF620A



Flow sensor for connection to an evaluation unit

SFG10ABB/2G /US-100



Product characteristics

Probe length L	[mm]	15...156
Process connection		Ø 10 mm

Application

Special feature		Gold-plated contacts
Installation		sensor suitable for clamp fitting
Media		Liquids; Gases
Medium temperature	[°C]	-20...70
Pressure rating	[bar]	30

Liquids

Installation		sensor suitable for clamp fitting
Medium temperature	[°C]	-20...70

Gases

Medium temperature	[°C]	-20...70
--------------------	------	----------

Electrical data

Connection to control monitor		VS2000 Exi (PTB 01 ATEX 2075)
-------------------------------	--	-------------------------------

Measuring/setting range

Probe length L	[mm]	15...156
----------------	------	----------

Liquids

Setting range	[cm/s]	3...300
Greatest sensitivity	[cm/s]	3...60

Gases

Setting range	[cm/s]	200...3000
Greatest sensitivity	[cm/s]	200...800

Accuracy / deviations

Temperature gradient	[K/min]	15
----------------------	---------	----

Response times

Response time	[s]	1...10
---------------	-----	--------

Liquids

Response time	[s]	1...10
---------------	-----	--------

Gases


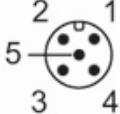
Response time	[s]	1...10
---------------	-----	--------

SF620A



Flow sensor for connection to an evaluation unit

SFG10ABB/2G /US-100

Operating conditions	
Ambient temperature [°C]	-20...70
Protection	IP 67
Tests / approvals	
Approval	DMT 03 ATEX E091; IECEX BVS 06.0007
ATEX marking	 II 2G Ex ia IIC T4 Gb
Shock resistance	DIN IEC 68-2-27 40 g (11 ms)
Vibration resistance	DIN IEC 68-2-6 10 g (55...2000 Hz)
MTTF [years]	8272
Safety classification	
Max. internal capacitance [nF]	0.4
Max. internal inductance [µH]	2
Temperature class	T4
Mechanical data	
Weight [g]	123
Dimensions [mm]	Ø 10
Materials	stainless steel (1.4404 / 316L) several parts, welded
Materials (wetted parts)	stainless steel (1.4404 / 316L) several parts, welded
Process connection	Ø 10 mm
Accessories	
Accessories (optional)	Clamp adapter: R 1/2, E40160 Clamp adapter: 1/2" NPT, E40174
Remarks	
Remarks	In principle, the type test according to 94/9/EC (ATEX) only takes atmospheric conditions into account (0.8...1.1 bar). For pressures outside this range use must be assessed and approved by the user. Adhere to the operating instructions and the type test certificate.
Pack quantity	1 pcs.
Electrical connection	
Connector: 1 x M12; Contacts: gold-plated; Maximum cable length: 100 m	
	

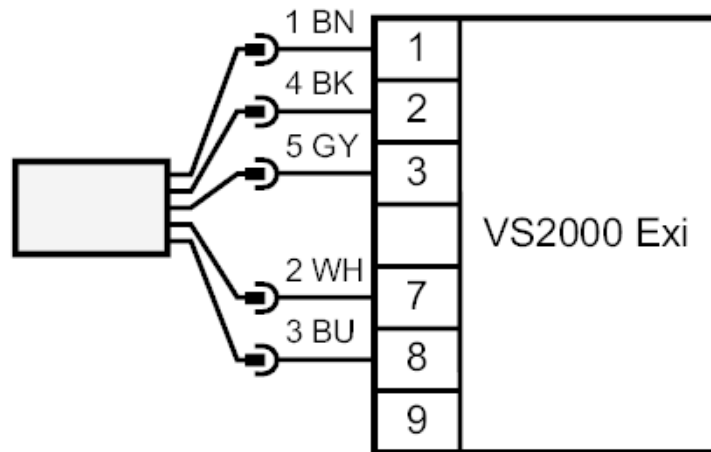
SF620A



Flow sensor for connection to an evaluation unit

SFG10ABB/2G /US-100

Connection



Core colours :

BN =	brown
BU =	blue
BK =	black
WH =	white
GY =	grey