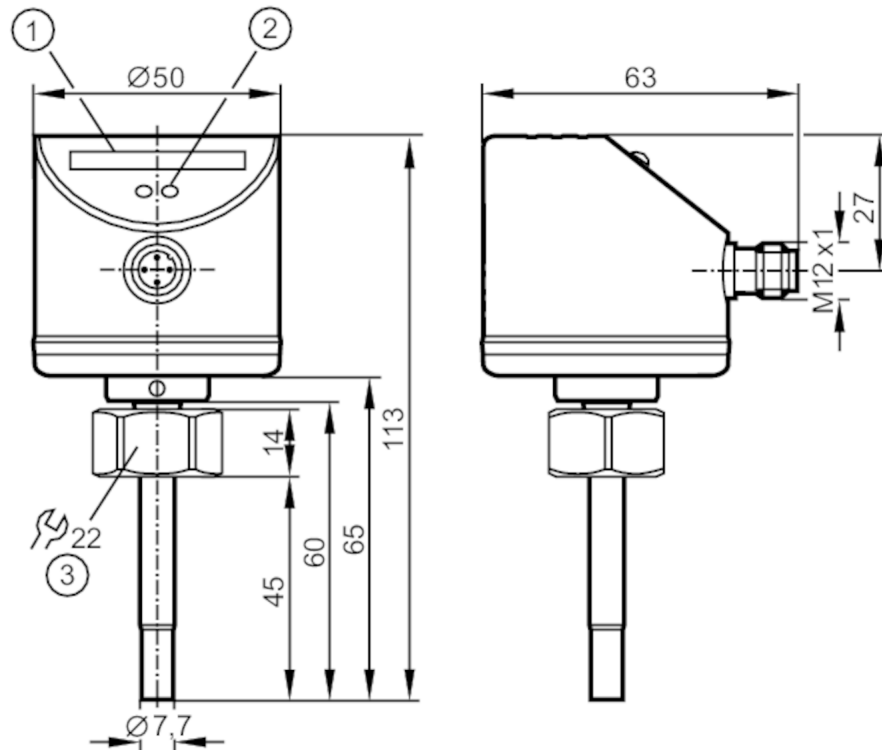


# SI0551



## Flow transmitter

SID10ABB100G/US-100



- 1 LED bar display
- 2 setting pushbutton
- 3 Tightening torque 25 Nm



### Product characteristics

Number of inputs and outputs	Number of analogue outputs: 1
Process connection	M18 x 1,5 internal thread

### Application

Media	Liquids
Medium temperature [°C]	-25...80
Pressure rating [bar]	30

### Electrical data

Operating voltage [V]	19...36 DC
Current consumption [mA]	< 60
Protection class	III
Reverse polarity protection	yes
Power-on delay time [s]	10

### Inputs / outputs

Number of inputs and outputs	Number of analogue outputs: 1
------------------------------	-------------------------------

# SI0551



## Flow transmitter

SID10ABB100G/US-100

Outputs		
Total number of outputs		1
Output signal		analogue signal
Number of analogue outputs		1
Analogue current output [mA]		4...20
Max. load [ $\Omega$ ]		500
Overload protection		yes
Measuring/setting range		
Probe length L [mm]		45
Flow range [cm/s]		3...250
Greatest sensitivity [cm/s]		3...100
Accuracy / deviations		
Repeatability [cm/s]		1...5
Note on repeatability		for water 5...100 cm/s; 25 °C Factory setting
Temperature drift [cm/s x 1/K]		0.1; (for water 5...100 cm/s; 10...70 °C)
Response times		
Response time [s]		1...10
Operating conditions		
Ambient temperature [°C]		-25...80
Storage temperature [°C]		-25...100
Protection		IP 67
Tests / approvals		
EMC	EN 61000-4-2 ESD	4 kV CD / 8 kV AD
	EN 61000-4-3 HF radiated	10 V/m
	EN 61000-4-4 Burst	2 kV
	EN 61000-4-6 HF conducted	10 V
Shock resistance	DIN IEC 68-2-27	50 g (11 ms)
Vibration resistance	DIN EN 60068-2-6	20 g (55...2000 Hz)
MTTF [years]		238
Mechanical data		
Weight [g]		245
Dimensions [mm]		M18 x 1.5
Thread designation		M18 x 1.5
Materials		stainless steel (1.4404 / 316L); stainless steel (1.4310 / 301); PC; PBT-GF20; EPDM/X
Materials (wetted parts)		stainless steel (1.4404 / 316L); O-ring: FKM 80 Shore A
Process connection		M18 x 1,5 internal thread
Displays / operating elements		
Display	function	10 x LED, three-colour
Remarks		
Pack quantity		1 pcs.
Electrical connection		
Connector: 1 x M12		

# SI0551

## Flow transmitter

SID10ABB100G/US-100



### Connection

