

**M12 male 0° / M8 female 0°**

PVC 4x0.25 bk UL/CSA 1.5m

Male straight to female straight  
M12 - M8, 4-pole

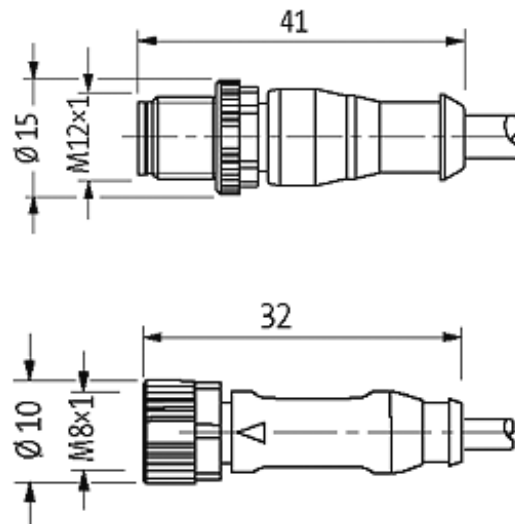
Plastic housings with good resistance against chemicals and oils. The resistance to aggressive media should be individually tested for your application. Further details on request. Further cable lengths on request.

[Link to Product](#)**Illustration**

Male

Female





Product may differ from Image

### Approvals



\* only for products with UL/CSA approved cable

### Form

40581

### Technical Data

|                               |   |
|-------------------------------|---|
| Operating voltage             | max. 30 V AC/DC   |
| Operating current per contact | max. 4 A  |
| Locking of ports              | Screw thread M8/M12 × 1 mm (recommended torque 0.4/0.6 Nm), self-securing |
| Protection                    | IP67 inserted and tightened (EN 60529)                                    |

### Cables

|                             |                          |
|-----------------------------|--------------------------|
| Cable number                | 611                      |
| No./diameter of wires       | 4 × 0.25 mm <sup>2</sup> |
| Wire isolation              | PVC (br, wh, bl, bk)     |
| Jacket Color                | black                    |
| Shore hardness outer jacket | 85 ± 5A                  |
| Material (jacket)           | PVC (UL/CSA)             |
| Outer diameter              | approx. 4.8 mm           |
| Bend radius (fixed)         | 5 × outer Ø              |
| Bend radius (moving)        | 10 × outer Ø             |
| Temperature range (fixed)   | -30...+80 °C             |
| Temperature range (mobile)  | -5...+80 °C              |

### General data

The information in this brochure has been compiled with the utmost care.

Liability for the correctness completeness and topicality of the information is restricted to gross negligence. Version: 05/15

---

|                   |  |
|-------------------|--|
| Temperature range | -25...+85 °C, depending on cable quality |
|-------------------|--|

**Commercial data**

---

|                        |          |
|------------------------|----------|
| country of origin      | DE       |
| customs tariff number  | 85444290 |
| minimum order quantity | 1        |

---