

## MST 1-PHASE SAFETY TRANSFORMER

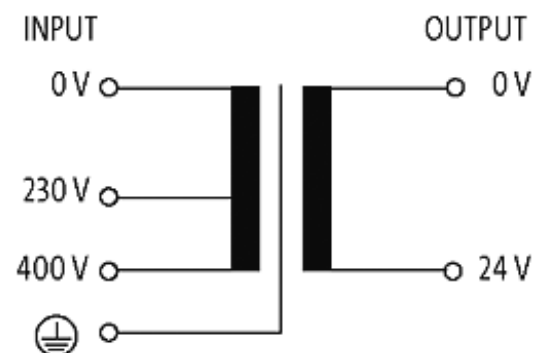
P: 400VA IN: 230/400VAC OUT: 24VAC

Single-phase safety transformer  
400 VA  
Isolation class T 40/B

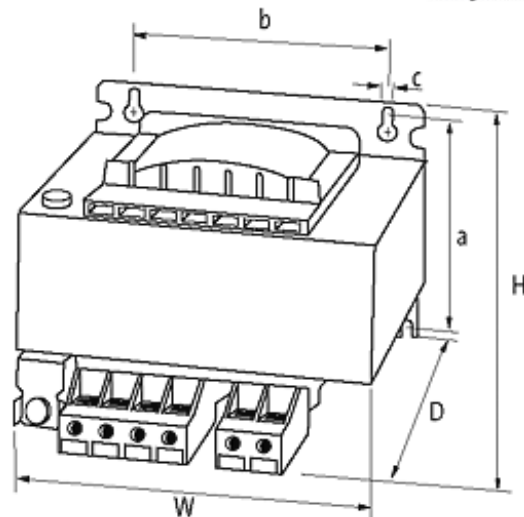
Other voltages on request.

### [Link to Product](#)

#### Illustration



stay connected



Product may differ from Image

### Approvals



### Input

Input voltage	230/400 V AC
Frequency	50...60 Hz
Inrush current	52.3 A (230 V AC); 30.2 A (400 V AC)
Short-circuit current	43 A (230 V AC); 24.9 A (400 V AC)
Input current	1.95 A (230 V AC); 1.1 A (400 V AC)

### General data

Standards	(EN 61558-1), (EN 61558-2-6), (EN 62041 category 0)
Test isolation voltage	4 kV (prim./sec.)
Mounting method	Key-hole mounting
Temperature range	-20...+40 °C, no condensation
Dimensions H x W x D	104.2x120x122.4 mm
Fixing centers a x b x c	86.5x90x5.8 mm
Drill hole Ø	5.8x10 mm

### Output

Output voltage	24 V AC (SELV)
----------------	----------------

### Commercial data

country of origin	CZ
customs tariff number	85043180
minimum order quantity	1