



SEPARATE STANDARD ACTUATOR FOR POS. W. TUMBLER 3SE5312../3SE5322.. AND ASI 3SF13... AND POS. WITH SEPARATE ACTUATOR 3SE51../3SE52.. AND ASI 3SF11../3SF21..

|  |                                  |             |
|--|----------------------------------|-------------|
| Product designation  | actuator                         |             |
| <b>General technical data:</b>   |                                  |             |
| Shock resistance   | 30g / 11 ms                      |             |
| Vibration resistance   | 0.35 mm / 5g                     |             |
| Mechanical service life (switching cycles)   | 1 000 000                        |             |
| <ul style="list-style-type: none"> <li>• typical</li> </ul>  |                                  |             |
| Equipment marking  | T                                |             |
| <ul style="list-style-type: none"> <li>• acc. to DIN EN 61346-2</li> <li>• acc. to DIN EN 81346-2</li> </ul> | T                                |             |
| Active principle   | mechanical                       |             |
| <b>Drive Head:</b>   |                                  |             |
| Design of the operating mechanism  | Standard actuator, die cast zinc |             |
| <b>Ambient conditions:</b>   |                                  |             |
| Ambient temperature  |                                  |             |
| <ul style="list-style-type: none"> <li>• during operation</li> </ul>   | °C                               | -25 ... +85 |
| <ul style="list-style-type: none"> <li>• during storage</li> </ul>   | °C                               | -40 ... +90 |
| <b>Installation/ mounting/ dimensions:</b>   |                                  |             |
| mounting position  | any                              |             |
| Mounting type  | screw fixing                     |             |
| <b>Certificates/ approvals:</b>  |                                  |             |

|                          |                                       |                           |                   |
|--------------------------|---------------------------------------|---------------------------|-------------------|
| General Product Approval | Functional Safety/Safety of Machinery | Declaration of Conformity | Test Certificates |
|--------------------------|---------------------------------------|---------------------------|-------------------|



[Type Examination Certificate](#)



[Special Test Certificate](#)

**other**

[Confirmation](#)

**Further information**

**Information- and Downloadcenter (Catalogs, Brochures,...)**

<http://www.siemens.com/industrial-controls/catalogs>

**Industry Mall (Online ordering system)**

<http://www.siemens.com/industrymall>

**Cax online generator**

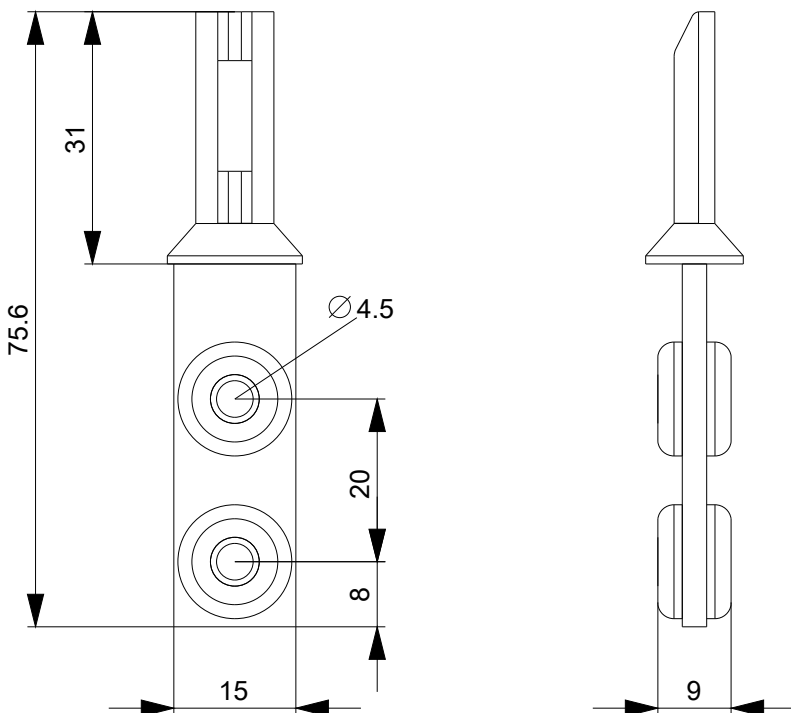
<http://support.automation.siemens.com/WW/CAXorder/default.aspx?lang=en&mfb=3SE50000AV01>

**Service&Support (Manuals, Certificates, Characteristics, FAQs,...)**

<http://support.automation.siemens.com/WW/view/en/3SE50000AV01/all>

**Image database (product images, 2D dimension drawings, 3D models, device circuit diagrams, EPLAN macros, ...)**

[http://www.automation.siemens.com/bilddb/cax\\_de.aspx?mfb=3SE50000AV01&lang=en](http://www.automation.siemens.com/bilddb/cax_de.aspx?mfb=3SE50000AV01&lang=en)



**last modified:**

09.03.2015